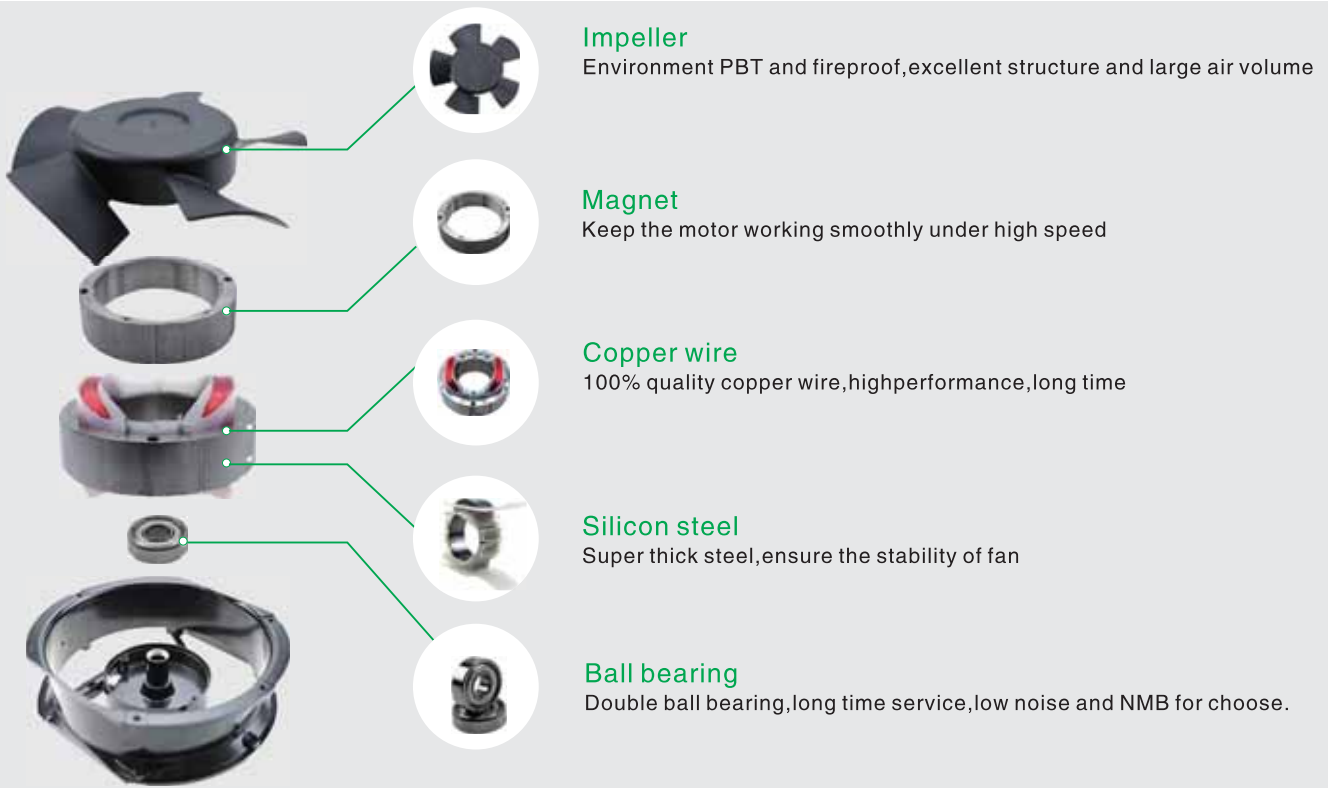


AC FAN Exploded View



Manufacturing Process



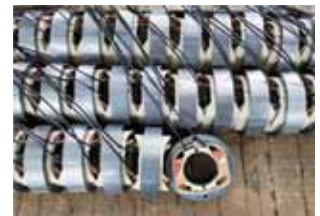
Step 1. Motor rolling



Step 2. Motor copper connector



Step 3. Motor fixing



Step 4. Axis fixing



Step 5. Terminals connection



Step 6. Impeller/ball/spring



Step 7. Ring connection



Step 8. Test high voltage



Step 9. Test voltage/speed



Step 10. Label



Step 11. Package



Step 12. Shipment

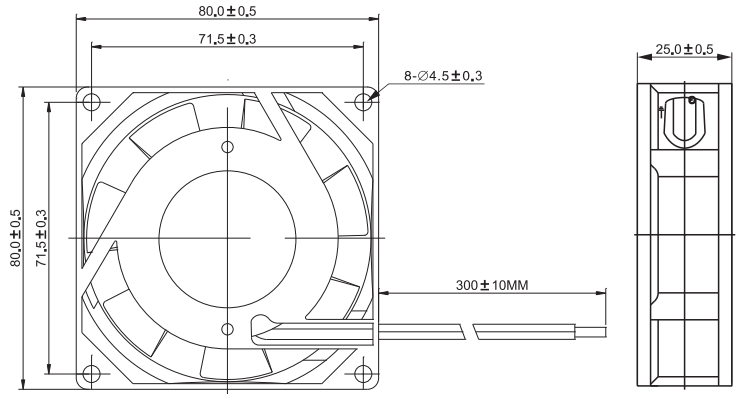
AC FAN



80x80x25mm



DIMENSIONS DRAWING

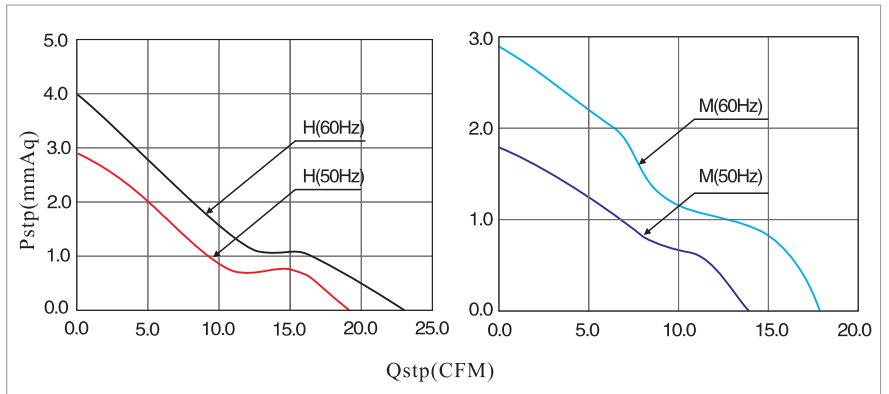


P&Q CURVE (AT RATED VOLTAGE)

AVAILABLE FUNCTIONS

1. Moto protection

AS



Model	Bearing	Rated Voltage	Startup Voltage	Freq.	Current	Speed	Air Flow		Static Pressure		Noise
Part NO.	System	VAC	VAC	Hz	A	RPM	M ³ /min	CFM	mmH ₂ O	INH ₂ O	dBA
YFA8025S1M	Sleeve	110	100-125	50/60	0.13/0.12	1700/2200	0.40/0.51	14/18	1.8/2.9	0.07/0.11	30/35
YFA8025S1H				50/60	0.11/0.10	2300/2700	0.54/0.65	19/23	2.9/4.0	0.11/0.16	36/38
YFA8025B1M	Ball			50/60	0.13/0.12	1700/2200	0.40/0.51	14/18	1.8/2.9	0.07/0.11	30/35
YFA8025B1H				50/60	0.11/0.10	2300/2700	0.54/0.65	19/23	2.9/4.0	0.11/0.16	36/38
YFA8025S2M	Sleeve	220	200-240	50/60	0.07/0.06	1700/2200	0.40/0.51	14/18	1.8/2.9	0.07/0.11	30/35
YFA8025S2H				50/60	0.06/0.05	2300/2700	0.54/0.65	19/23	2.9/4.0	0.11/0.16	36/38
YFA8025B2M	Ball			50/60	0.07/0.06	1700/2200	0.40/0.51	14/18	1.8/2.9	0.07/0.11	30/35
YFA8025B2H				50/60	0.06/0.05	2300/2700	0.54/0.65	19/23	2.9/4.0	0.11/0.16	36/38

Notes1: The catalog have detail information in the front page for the functions.

2: If you want another rpm or voltage or functions which one in the list, please contact with our sales.



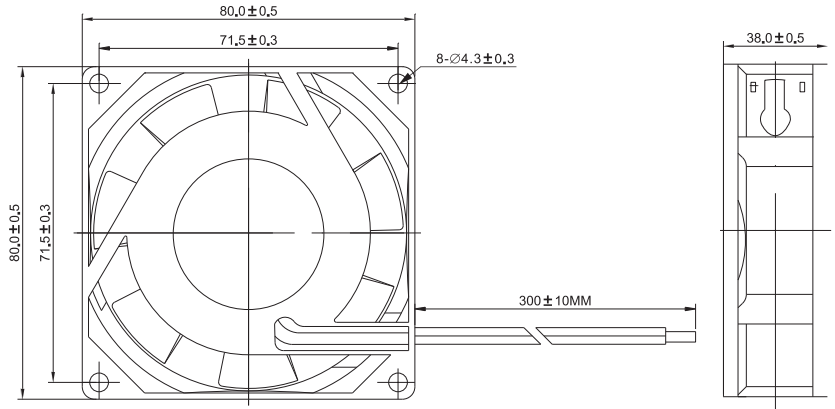
YUNFANPOWER

AC FAN

80x80x38mm



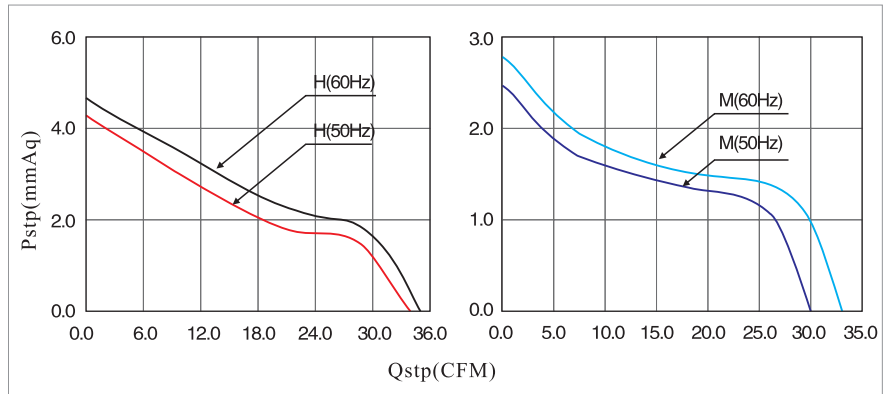
DIMENSIONS DRAWING



P&Q CURVE (AT RATED VOLTAGE)

AVAILABLE FUNCTIONS

1. Moto protection
AS



Model	Bearing	Rated Voltage	Startup Voltage	Freq.	Current	Speed	Air Flow		Static Pressure		Noise
Part NO.	System	VAC	VAC	Hz	A	RPM	M ³ /min	CFM	mmH ₂ O	INH ₂ O	dBA
YFA8038S1M	Sleeve	110	100-125	50/60	0.11/0.10	2100/2300	0.85/0.93	30/33	2.5/2.8	0.10/0.11	28/30
YFA8038S1H				50/60	0.15/0.13	2600/2800	0.96/0.99	34/35	4.3/4.6	0.17/0.18	33/35
YFA8038B1M	Ball			50/60	0.11/0.10	2100/2300	0.85/0.93	30/33	2.5/2.8	0.10/0.11	28/30
YFA8038B1H				50/60	0.15/0.13	2600/2800	0.96/0.99	34/35	4.3/4.6	0.17/0.18	33/35
YFA8038S2M	Sleeve	220	200-240	50/60	0.06/0.05	2100/2300	0.85/0.93	30/33	2.5/2.8	0.10/0.11	28/30
YFA8038S2H				50/60	0.08/0.07	2600/2800	0.96/0.99	34/35	4.3/4.6	0.17/0.18	33/35
YFA8038B2M	Ball			50/60	0.06/0.05	2100/2300	0.85/0.93	30/33	2.5/2.8	0.10/0.11	28/30
YFA8038B2H				50/60	0.08/0.07	2600/2800	0.96/0.99	34/35	4.3/4.6	0.17/0.18	33/35

Notes1: The catalog have detail information in the front page for the functions.

2: If you want another rpm or voltage or functions which one in the list, please contact with our sales.



Shenzhen Yunfan Power Co. Limited

E-mail: info@yunfanpower.com

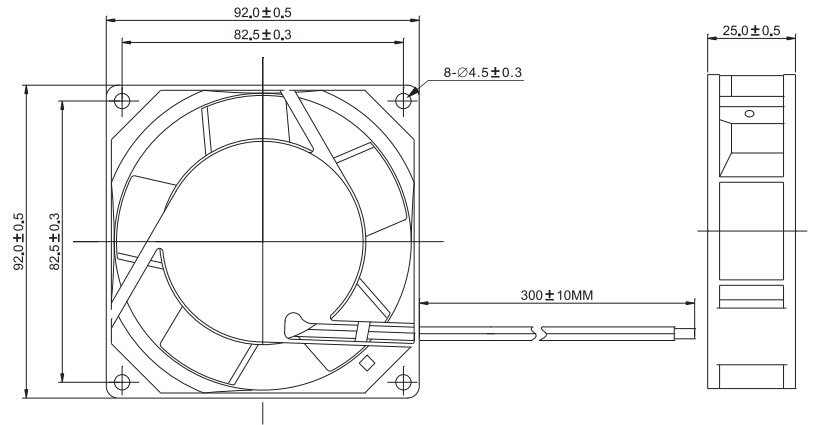
AC FAN



92x92x25mm



DIMENSIONS DRAWING

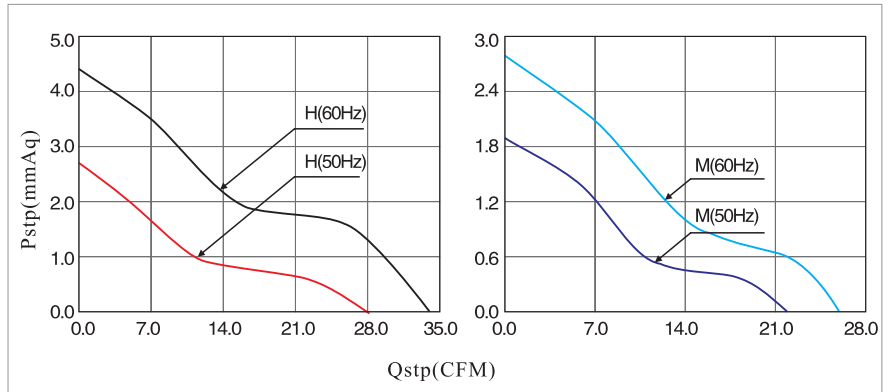


P&Q CURVE (AT RATED VOLTAGE)

AVAILABLE FUNCTIONS

1. Moto protection

AS



Model	Bearing	Rated Voltage	Startup Voltage	Freq.	Current	Speed	Air Flow		Static Pressure		Noise
Part NO.	System	VAC	VAC	Hz	A	RPM	M ³ /min	CFM	mmH ₂ O	INH ₂ O	dBA
YFA9225S1M	Sleeve	110	100-125	50/60	0.14/0.13	1800/2300	0.62/0.74	22/26	1.9/2.8	0.07/0.11	28/35
YFA9225S1H				50/60	0.12/0.11	2300/2800	0.79/0.96	28/34	2.7/4.4	0.11/0.17	34/40
YFA9225B1M	Ball			50/60	0.14/0.13	1800/2300	0.62/0.74	22/26	1.9/2.8	0.07/0.11	28/35
YFA9225B1H				50/60	0.12/0.11	2300/2800	0.79/0.96	28/34	2.7/4.4	0.11/0.17	34/40
YFA9225S2M	Sleeve	220	200-240	50/60	0.08/0.07	1800/2300	0.62/0.74	22/26	1.9/2.8	0.07/0.11	28/35
YFA9225S2H				50/60	0.07/0.06	2300/2800	0.79/0.96	28/34	2.7/4.4	0.11/0.17	34/40
YFA9225B2M	Ball			50/60	0.08/0.07	1800/2300	0.62/0.74	22/26	1.9/2.8	0.07/0.11	28/35
YFA9225B2H				50/60	0.07/0.06	2300/2800	0.79/0.96	28/34	2.7/4.4	0.11/0.17	34/40

Notes1: The catalog have detail information in the front page for the functions.

2: If you want another rpm or voltage or functions which one in the list, please contact with our sales.



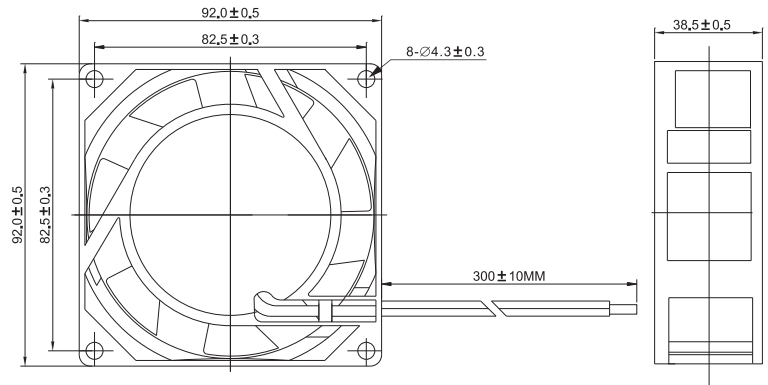
YUNFANPOWER

AC FAN

92x92x38mm



DIMENSIONS DRAWING

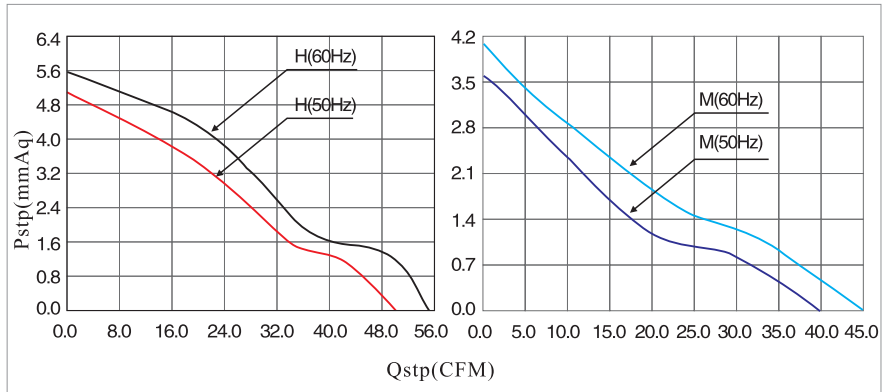


P&Q CURVE(AT RATEDVOLTAGE)

AVAILABLE FUNCTIONS

1. Moto protection

AS



Model	Bearing	Rated Voltage	Startup Voltage	Freq.	Current	Speed	Air Flow		Static Pressure		Noise
Part NO.	System	VAC	VAC	Hz	A	RPM	M ³ /min	CFM	mmH ₂ O	INH ₂ O	dBA
YFA9238S1M	Sleeve	110	100-125	50/60	0.12/0.10	2000/2200	1.13/1.27	40/45	3.6/4.1	0.14/0.16	34/36
YFA9238S1H				50/60	0.16/0.14	2500/2700	1.42/1.56	50/55	5.1/5.6	0.20/0.22	39/41
YFA9238B1M	Ball			50/60	0.12/0.10	2000/2200	1.13/1.27	40/45	3.6/4.1	0.14/0.16	34/36
YFA9238B1H				50/60	0.16/0.14	2500/2700	1.42/1.56	50/55	5.1/5.6	0.20/0.22	39/41
YFA9238S2M	Sleeve	220	200-240	50/60	0.06/0.05	2000/2200	1.13/1.27	40/45	3.6/4.1	0.14/0.16	34/36
YFA9238S2H				50/60	0.08/0.07	2500/2700	1.42/1.56	50/55	5.1/5.6	0.20/0.22	39/41
YFA9238B2M	Ball			50/60	0.06/0.05	2000/2200	1.13/1.27	40/45	3.6/4.1	0.14/0.16	34/36
YFA9238B2H				50/60	0.08/0.07	2500/2700	1.42/1.56	50/55	5.1/5.6	0.20/0.22	39/41

Notes1: The catalog have detail information in the front page for the functions.

2: If you want another rpm or voltage or functions which one in the list, please contact with our sales.



Shenzhen Yunfan Power Co.Limited

E-mail: info@yunfanpower.com

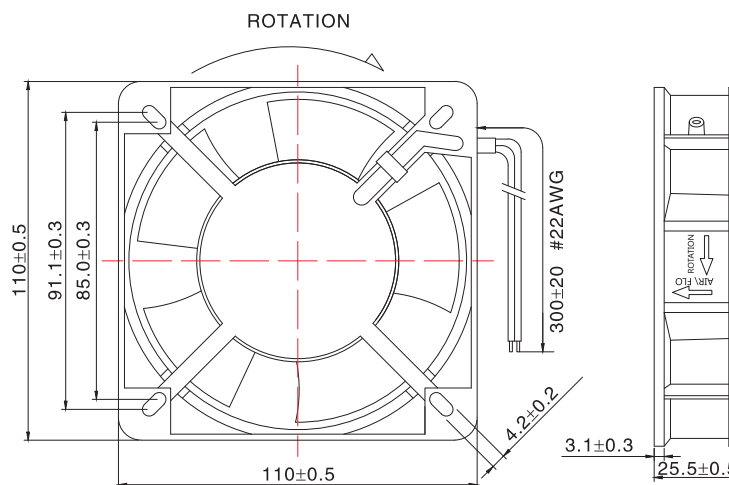


YUNFANPOWER

AC FAN

110X110x25mm

DIMENSIONS DRAWING

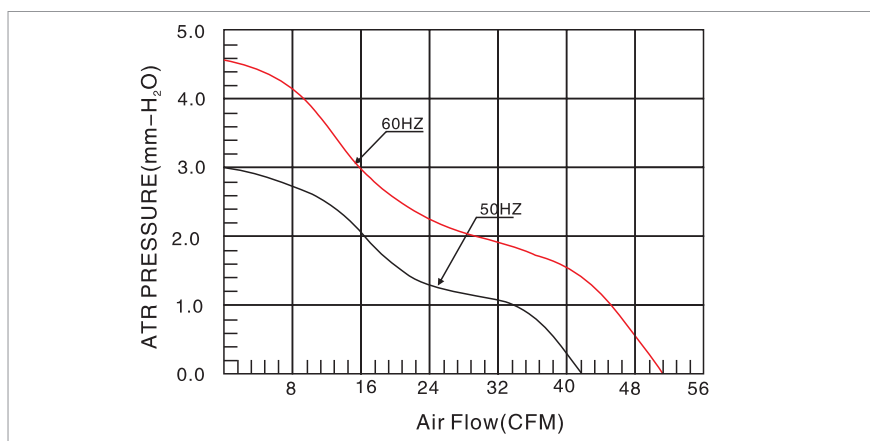


P&Q CURVE (AT RATED VOLTAGE)

AVAILABLE FUNCTIONS

1. Moto protection

AS



Model	Bearing	Rated Voltage	Startup Voltage	Freq.	Current	Speed	Air Flow		Static Pressure		Noise
Part NO.	System	VAC	VAC	Hz	A	RPM	M ³ /min	CFM	mmH ₂ O	INH ₂ O	dBA
YFA11025S1M	Sleeve	110	100-125	50/60	0.15/0.14	1800/2000	1.20/1.41	42/50	3.45/4.70	0.13/0.18	36/38
YFA11025B1H	Ball										
YFA11025S2M	Sleeve	220	200-240	50/60	0.11/0.09	1800/2000	1.20/1.48	42/52	3.05/4.57	0.12/0.18	36/38
YFA11025B2H	Ball										

Notes1: The catalog have detail information in the front page for the functions.

2: If you want another rpm or voltage or functions which one in the list, please contact with our sales.



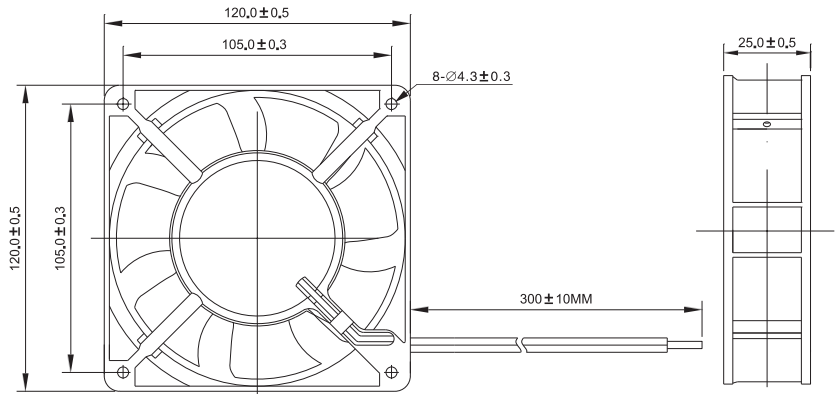
YUNFANPOWER

AC FAN

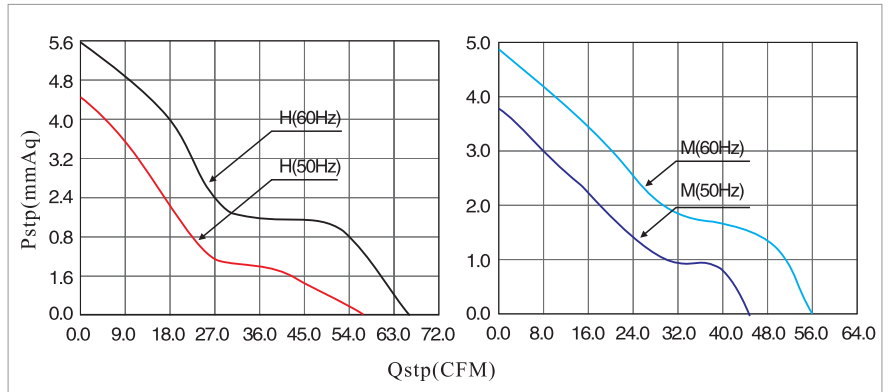
120x120x25mm



DIMENSIONS DRAWING



P&Q CURVE (AT RATED VOLTAGE)



AVAILABLE FUNCTIONS

- 1. Moto protection
- AS**



Model	Bearing	Rated Voltage	Startup Voltage	Freq.	Current	Speed	Air Flow	Static Pressure	Noise		
Part NO.	System	VAC	VAC	Hz	A	RPM	M ³ /min CFM	mmH ₂ O INH ₂ O	dBA		
YFA12025S1M	Sleeve	110	100-125	50/60	0.16/0.15	1800/2300	1.27/1.58	45/56	3.8/4.9	0.15/0.19	31/36
YFA12025S1H				50/60	0.25/0.24	2300/2700	1.61/1.87	57/66	4.5/5.6	0.18/0.22	39/44
YFA12025B1M	Ball		100-125	50/60	0.16/0.15	1800/2300	1.27/1.58	45/56	3.8/4.9	0.15/0.19	31/36
YFA12025B1H				50/60	0.25/0.24	2300/2700	1.61/1.87	57/66	4.5/5.6	0.18/0.22	39/44
YFA12025S2M	Sleeve	220	200-240	50/60	0.08/0.07	1800/2300	1.27/1.58	45/56	3.8/4.9	0.15/0.19	31/36
YFA12025S2H				50/60	0.13/0.12	2300/2700	1.61/1.87	57/66	4.5/5.6	0.18/0.22	39/44
YFA12025B2M	Ball		200-240	50/60	0.08/0.07	1800/2300	1.27/1.58	45/56	3.8/4.9	0.15/0.19	31/36
YFA12025B2H				50/60	0.13/0.12	2300/2700	1.61/1.87	57/66	4.5/5.6	0.18/0.22	39/44

Notes1: The catalog have detail information in the front page for the functions.
 2: If you want another rpm or voltage or functions which one in the list, please contact with our sales.

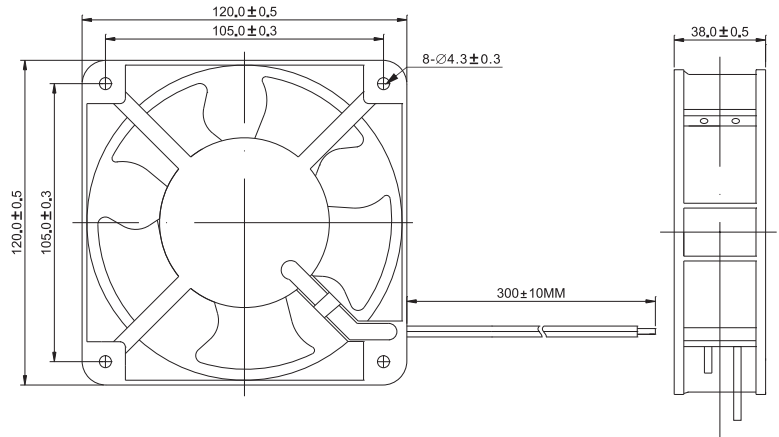
AC FAN



120x120x38mm



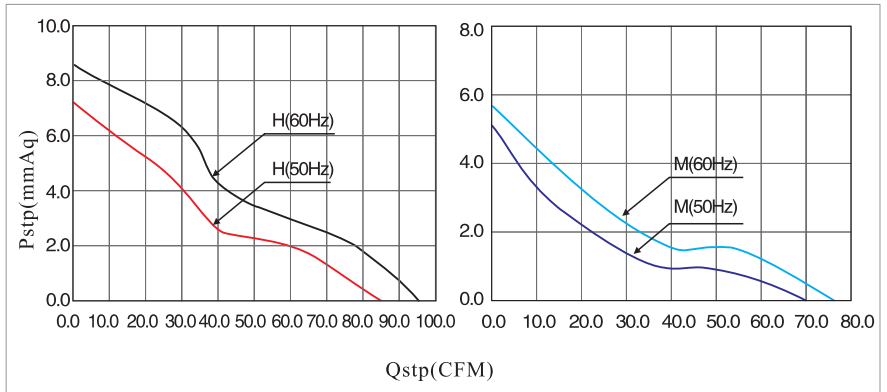
DIMENSIONS DRAWING



P&Q CURVE (AT RATED VOLTAGE)

AVAILABLE FUNCTIONS

- 1. Moto protection
- AS**



Model	Bearing	Rated Voltage	Startup Voltage	Freq.	Current	Speed	Air Flow		Static Pressure		Noise
Part NO.	System	VAC	VAC	Hz	A	RPM	M ³ /min	CFM	mmH ₂ O	INH ₂ O	dBA
YFA12038S1M	Sleeve	110	100-125	50/60	0.17/0.15	2400/2200	2.15/2.01	76/71	5.7/5.1	0.22/0.20	37/35
YFA12038S1H				50/60	0.22/0.18	2500/2800	2.41/2.72	85/96	7.2/8.6	0.28/0.34	40/45
YFA12038B1M	Ball			50/60	0.17/0.15	2400/2200	2.15/2.01	76/71	5.7/5.1	0.22/0.20	37/35
YFA12038B1H				50/60	0.22/0.18	2500/2800	2.41/2.72	85/96	7.2/8.6	0.28/0.34	40/45
YFA12038S2M	Sleeve	220	200-240	50/60	0.09/0.08	2400/2200	2.15/2.01	76/71	5.7/5.1	0.22/0.20	37/35
YFA12038S2H				50/60	0.12/0.11	2500/2800	2.41/2.72	85/96	7.2/8.6	0.28/0.34	40/45
YFA12038B2M	Ball			50/60	0.09/0.08	2400/2200	2.15/2.01	76/71	5.7/5.1	0.22/0.20	37/35
YFA12038B2H				50/60	0.12/0.11	2500/2800	2.41/2.72	85/96	7.2/8.6	0.28/0.34	40/45

Notes1: The catalog have detail information in the front page for the functions.
 2: If you want another rpm or voltage or functions which one in the list, please contact with our sales.



YUNFANPOWER

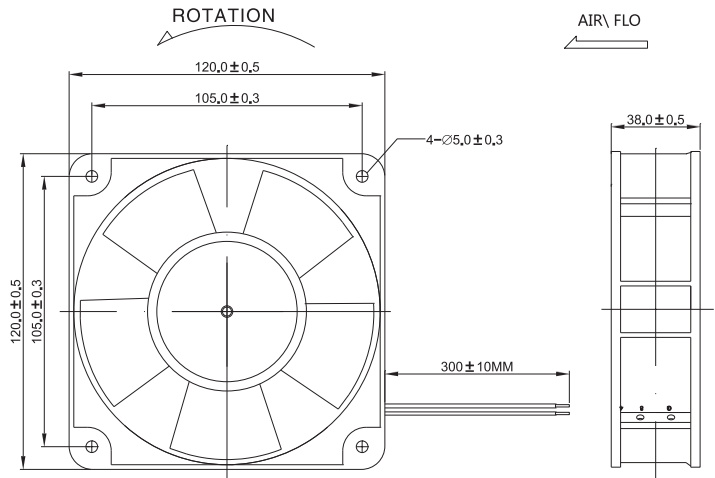
AC FAN

120X120x38mm

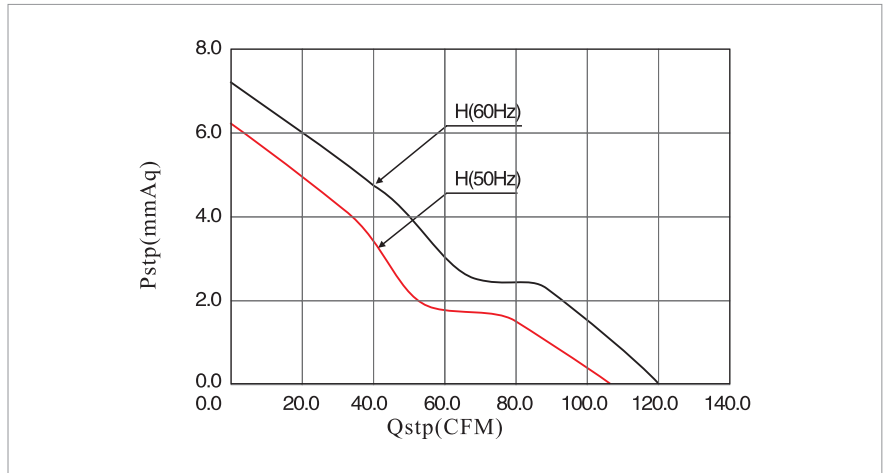
Metal frame + Metal impeller



DIMENSIONS DRAWING



P&Q CURVE (AT RATED VOLTAGE)



AVAILABLE FUNCTIONS

1. Moto protection

AS



Model		Bearing	Rated Voltage	Startup Voltage	Freq.	Current	Speed	Air Flow		Static Pressure		Noise
Part NO.	Function	System	VAC	VAC	Hz	A	RPM	M ³ /min	CFM	mmH ₂ O	INH ₂ O	dBA
YFA12038HF-1	W/T	Ball	110	100-125	50/60	0.25/0.21	2600/3000	3.00/3.40	106/120	6.2/7.2	0.24/0.28	46/50
YFA12038HF-1	W/T	Ball	220	200-240	50/60	0.14/0.12	2600/3000	3.00/3.40	106/120	6.2/7.2	0.24/0.28	46/50

Notes1: The catalog have detail information in the front page for the functions.

2: If you want another rpm or voltage or functions which one in the list, please contact with our sales.



Shenzhen Yunfan Power Co. Limited

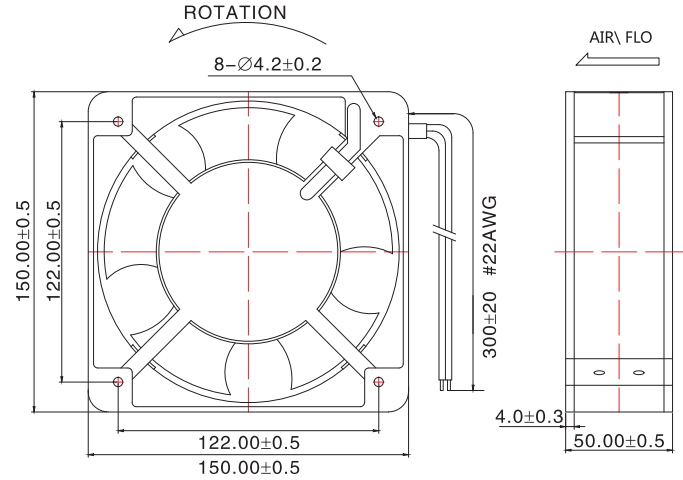
E-mail: info@yunfanpower.com

AC FAN

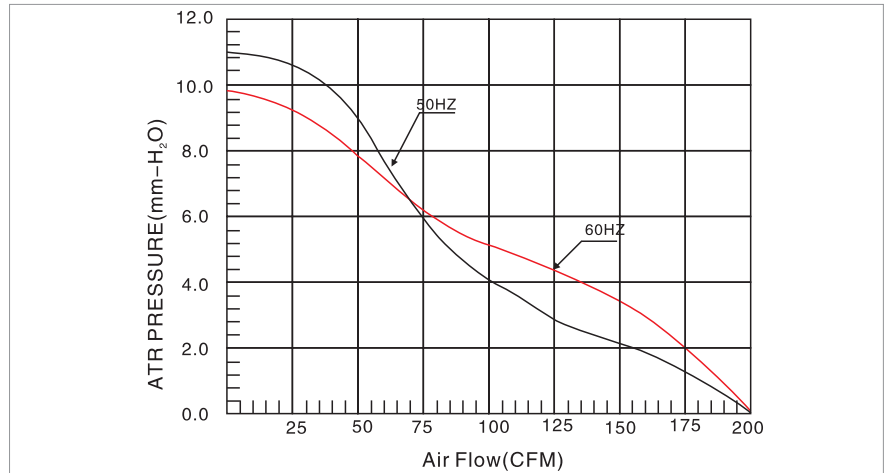
150X150x51mm



DIMENSIONS DRAWING



P&Q CURVE(AT RATEDVOLTAGE)



AVAILABLE FUNCTIONS

- 1. Moto protection

AS



Model	Bearing	Rated Voltage	Startup Voltage	Freq.	Current	Speed	Air Flow		Static Pressure		Noise
Part NO.	System	VAC	VAC	Hz	A	RPM	M ³ /min	CFM	mmH ₂ O	INH ₂ O	dBA
YFA15050S1L	Sleeve	110	100-125	50/60	0.63/0.53	2500/2800	5.28/6.00	185/210	11.1/9.6	0.44/0.38	51/56
YFA15050B1L	Ball					2600/2950	5.71/6.00	200/210	11.5/9.8	0.45/0.39	52/56
YFA15050S2L	Sleeve	220	200-240	50/60	0.25/0.22	2500/2500	5.28/5.28	185/185	11.1/9.0	0.44/0.35	51/51
YFA15050B2L	Ball					2600/2600	5.71/5.71	200/200	11.5/9.3	0.45/0.37	52/52
YFA15050S3L	Sleeve	380	360-420	50/60	0.14/0.13	2600/2550	5.71/5.42	200/190	11.5/9.3	0.45/0.37	52/51
YFA15050B3L	Ball					2600/2550	5.71/5.42	200/190	11.5/9.3	0.45/0.37	52/51

Notes1: The catalog have detail information in the front page for the functions.

2: If you want another rpm or voltage or functions which one in the list, please contact with our sales.

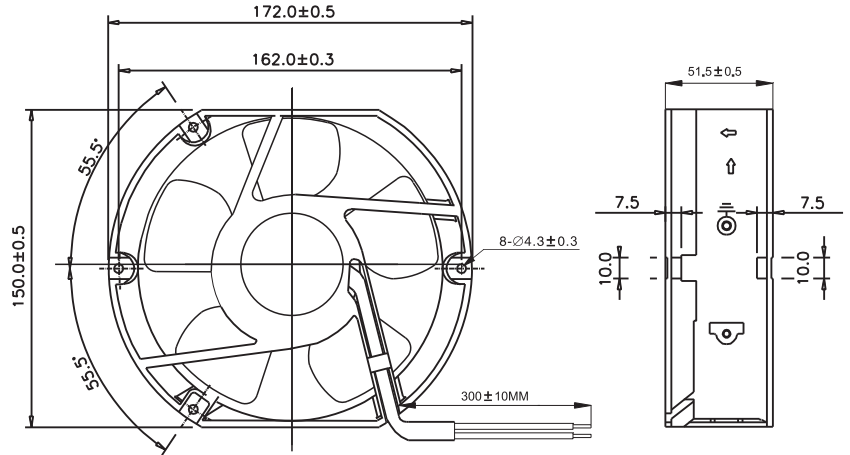


YUNFANPOWER

AC FAN

172x150x51mm

DIMENSIONS DRAWING

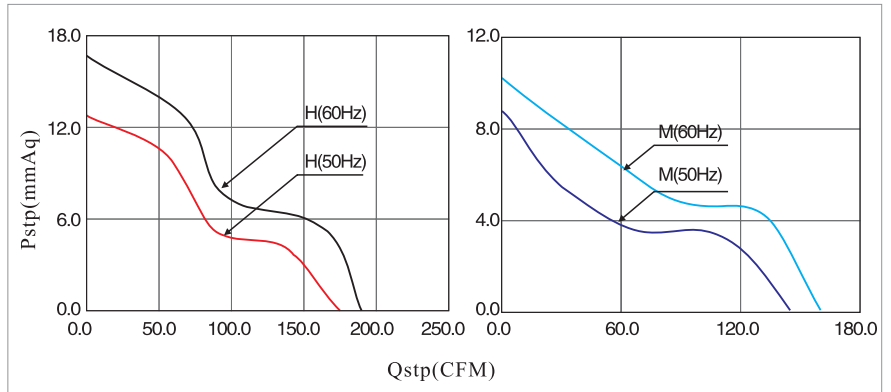


P&Q CURVE(AT RATEDVOLTAGE)

AVAILABLE FUNCTIONS

1. Moto protection

AS



Model	Bearing	Rated Voltage	Startup Voltage	Freq.	Current	Speed	Air Flow		Static Pressure		Noise
Part NO.	System	VAC	VAC	Hz	A	RPM	M ³ /min	CFM	mmH ₂ O	INH ₂ O	dBA
YFA17251S1M	Sleeve	110	100-125	50/60	0.40/0.37	2000/2300	4.10/4.53	145/160	8.9/10.2	0.35/0.40	46/49
YFA17251S1H				50/60	0.51/0.47	2500/2800	4.95/5.38	175/190	12.7/16.5	0.50/0.65	55/60
YFA17251B1M	Ball			50/60	0.40/0.37	2000/2300	4.10/4.53	145/160	8.9/10.2	0.35/0.40	46/49
YFA17251B1H				50/60	0.51/0.47	2500/2800	4.95/5.38	175/190	12.7/16.5	0.50/0.65	55/60
YFA17251S2M	Sleeve	220	200-240	50/60	0.21/0.19	2000/2300	4.10/4.53	145/160	8.9/10.2	0.35/0.40	46/49
YFA17251S2H				50/60	0.26/0.24	2500/2800	4.95/5.38	175/190	12.7/16.5	0.50/0.65	55/60
YFA17251B2M	Ball			50/60	0.21/0.19	2000/2300	4.10/4.53	145/160	8.9/10.2	0.35/0.40	46/49
YFA17251B2H				50/60	0.26/0.24	2500/2800	4.95/5.38	175/190	12.7/16.5	0.50/0.65	55/60

Notes1: The catalog have detail information in the front page for the functions.

2: If you want another rpm or voltage or functions which one in the list, please contact with our sales.



Shenzhen Yunfan Power Co.Limited

E-mail: info@yunfanpower.com

AC FAN

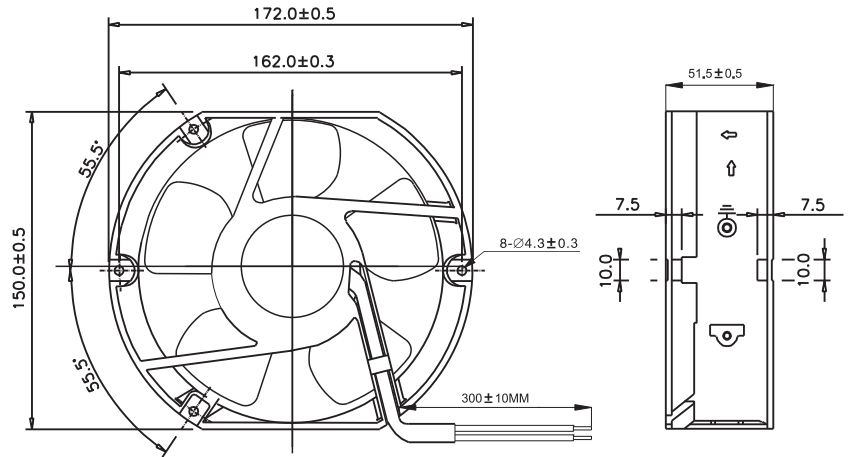


172x150x51mm

Metal frame + Metal impeller



DIMENSIONS DRAWING

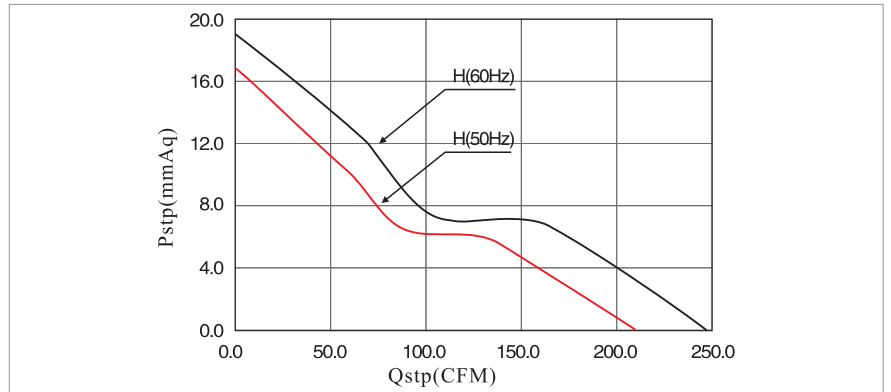


P&Q CURVE (AT RATED VOLTAGE)

AVAILABLE FUNCTIONS

1. Moto protection

AS



Model		Bearing	Rated Voltage	Startup Voltage	Freq.	Current	Speed	Air Flow		Static Pressure		Noise
Part NO.	Function	System	VAC	VAC	Hz	A	RPM	M ³ /min	CFM	mmH ₂ O	INH ₂ O	dBA
YFA17251B1H	W/T	Ball	110	100-125	50/60	0.38/0.34	2700/3200	5.94/6.99	210/247	17.0/19.1	0.67/0.75	54/57
YFA17251B1H	W/T	Ball	220	200-240	50/60	0.13/0.15	2700/3200	5.94/6.99	210/247	17.0/19.1	0.67/0.75	54/57

Notes1: The catalog have detail information in the front page for the functions.

2: If you want another rpm or voltage or functions which one in the list, please contact with our sales.

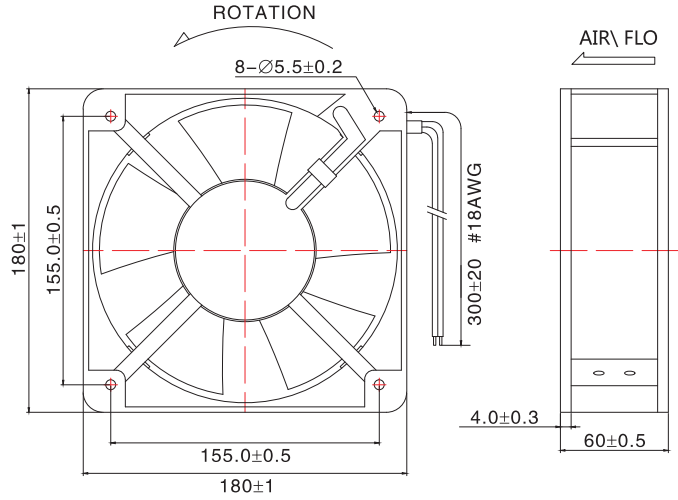


YUNFANPOWER

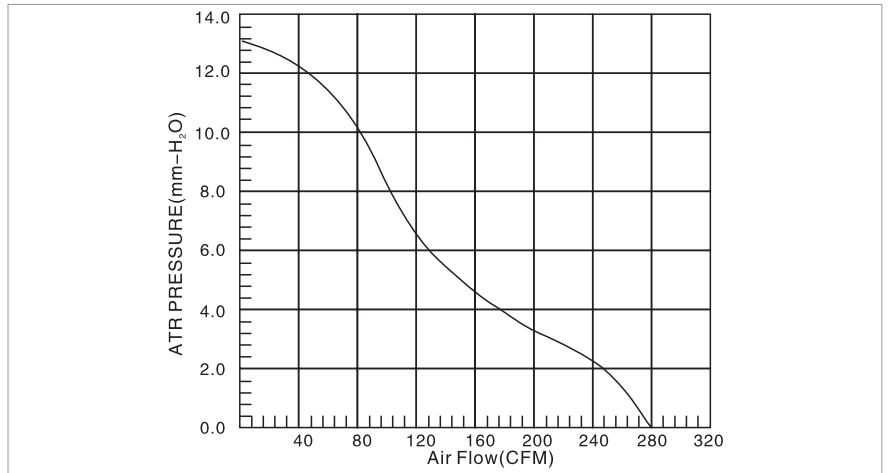
AC FAN

180X180x60mm

DIMENSIONS DRAWING



P&Q CURVE(AT RATEDVOLTAGE)



AVAILABLE FUNCTIONS

- 1. Moto protection

AS



Model	Bearing	Rated Voltage	Startup Voltage	Freq.	Current	Speed	Air Flow		Static Pressure		Noise
Part NO.	System	VAC	VAC	Hz	A	RPM	M ³ /min	CFM	mmH ₂ O	INH ₂ O	dBA
YFA18060B1L	Ball	110	100-125	50/60	0.69	2600	8.00	280	13.18	0.52	59
YFA18060B2L	Ball	220	200-240	50/60	0.30	2600	8.00	280	13.18	0.52	59
YFA18060B3L	Ball	380	360/420	50/60	0.16	2550	7.85	275	13.10	0.52	59

Notes1: The catalog have detail information in the front page for the functions.

2: If you want another rpm or voltage or functions which one in the list, please contact with our sales.



Shenzhen Yunfan Power Co. Limited

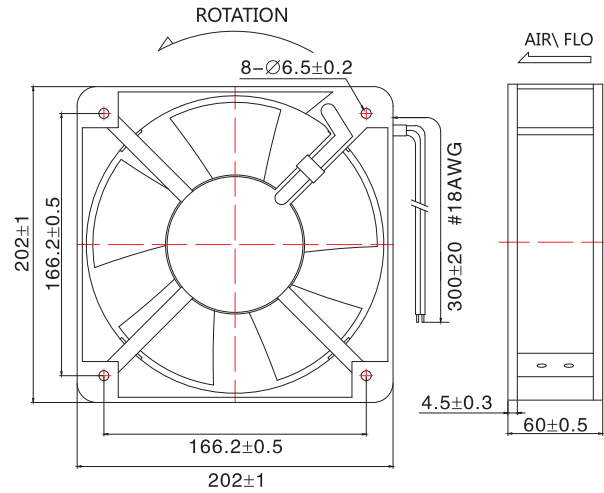
E-mail: info@yunfanpower.com

AC FAN

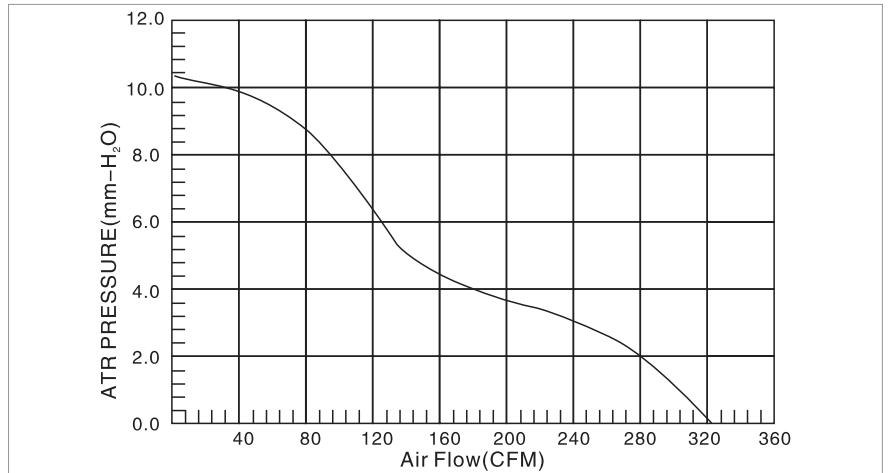


200X200x60mm

DIMENSIONS DRAWING



P&Q CURVE(AT RATEDVOLTAGE)



AVAILABLE FUNCTIONS

1. Moto protection
AS



Model	Bearing	Rated Voltage	Startup Voltage	Freq.	Current	Speed	Air Flow		Static Pressure		Noise
Part NO.	System	VAC	VAC	Hz	A	RPM	M ³ /min	CFM	mmH ₂ O	INH ₂ O	dBA
YFA20060B1L	Ball	110	100-125	50/60	0.69	2500	9.28	325	10.40	0.41	59
YFA20060B2L	Ball	220	200-240	50/60	0.30	2500	9.28	325	10.40	0.41	59
YFA20060B3L	Ball	380	360/420	50/60	0.16	2500	9.28	325	10.40	0.41	59

Notes1: The catalog have detail information in the front page for the functions.
2: If you want another rpm or voltage or functions which one in the list, please contact with our sales.



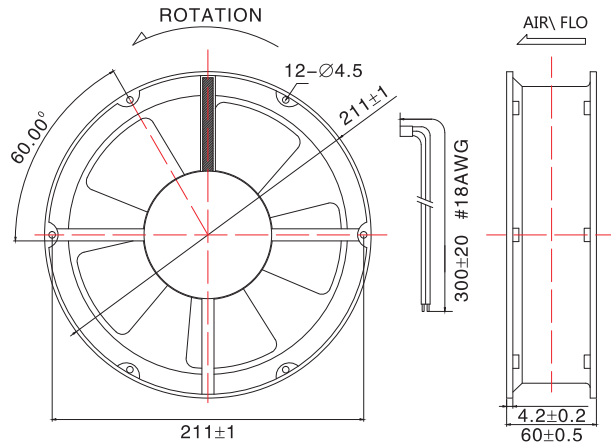
YUNFANPOWER

AC FAN

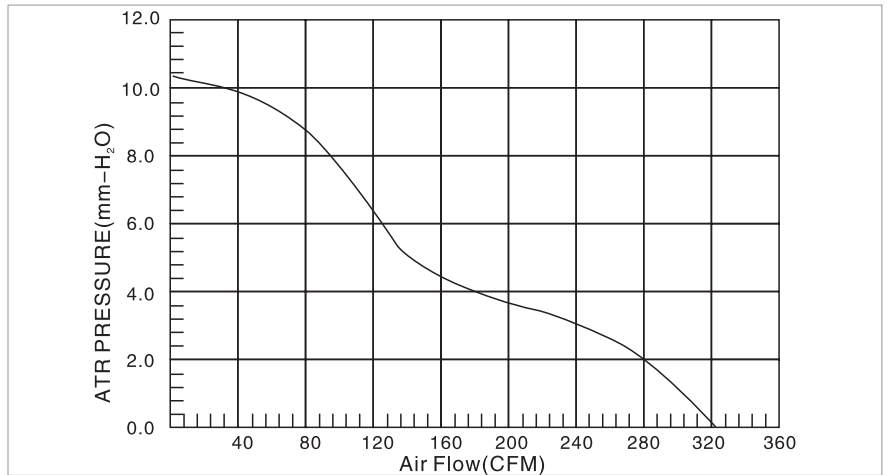
220X60mm



DIMENSIONS DRAWING



P&Q CURVE(AT RATEDVOLTAGE)



AVAILABLE FUNCTIONS

1. Moto protection

AS



Model	Bearing	Rated Voltage	Startup Voltage	Freq.	Current	Speed	Air Flow		Static Pressure		Noise
Part NO.	System	VAC	VAC	Hz	A	RPM	M ³ /min	CFM	mmH ₂ O	INH ₂ O	dBA
YFA22060B1L	Ball	110	100-125	50/60	0.69	2500	9.28	325	10.40	0.41	59
YFA22060B2L	Ball	220	200-240	50/60	0.30	2500	9.28	325	10.40	0.41	59
YFA22060B3L	Ball	380	360/420	50/60	0.16	2500	9.28	325	10.40	0.41	59

Notes1: The catalog have detail information in the front page for the functions.

2: If you want another rpm or voltage or functions which one in the list, please contact with our sales.



Shenzhen Yunfan Power Co. Limited

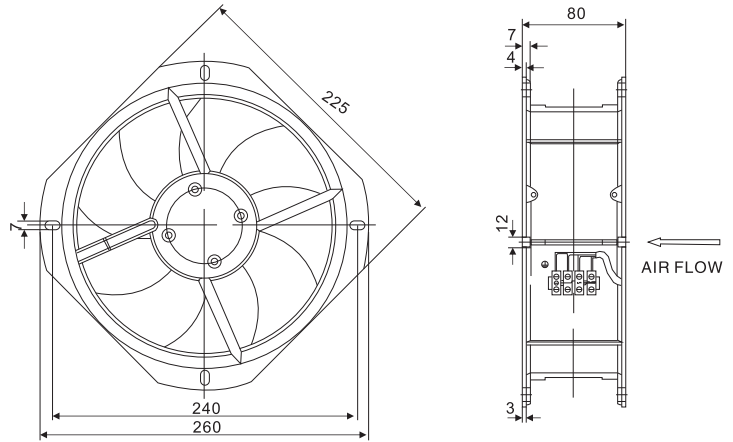
E-mail: info@yunfanpower.com

AC FAN



225X225x80mm

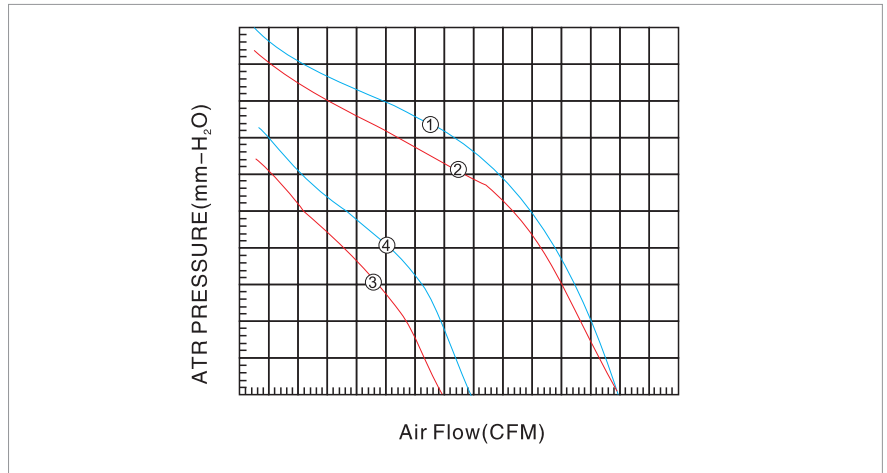
DIMENSIONS DRAWING



P&Q CURVE(AT RATEDVOLTAGE)

AVAILABLE FUNCTIONS

1. Moto protection
AS



Model	Bearing	Rated Voltage	Startup Voltage	Freq.	Current	Speed	Air Flow		Static Pressure		Noise
Part NO.	System	VAC	VAC	Hz	A	RPM	M ³ /min	CFM	mmH ₂ O	INH ₂ O	dBA
YFA22580B2E	Ball	220	200-240	50/60	0.30	2600	22.72	800	/	/	59
YFA22580B2D			200-240	50/60	0.17	2600	22.72	800	/	/	59
YFA22580B3E	Ball	380	360/420	50/60	0.20	1470	14.20	500	/	/	57
YFA22580B3D			360/420	50/60	0.10	1470	15.30	540	/	/	57

Notes1: The catalog have detail information in the front page for the functions.
2: If you want another rpm or voltage or functions which one in the list, please contact with our sales.



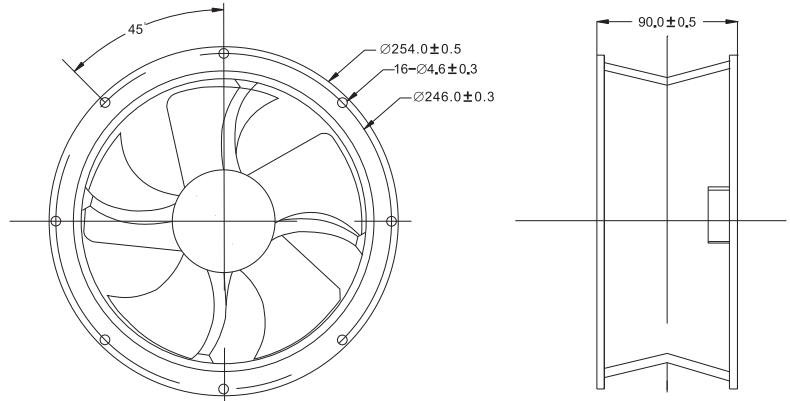
YUNFANPOWER

AC FAN

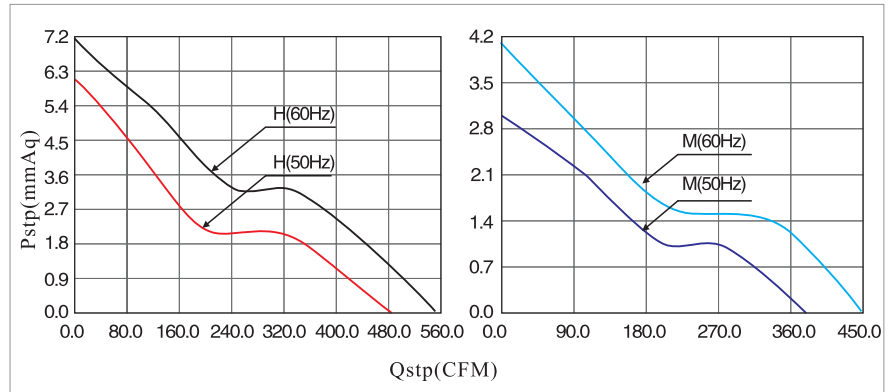
254x89mm



DIMENSIONS DRAWING



P&Q CURVE(AT RATEDVOLTAGE)



AVAILABLE FUNCTIONS

1. Moto protection

AS



Model	Bearing	Rated Voltage	Startup Voltage	Freq.	Current	Speed	Air Flow		Static Pressure		Noise
Part NO.	System	VAC	VAC	Hz	A	RPM	M ³ /min	CFM	mmH ₂ O	INH ₂ O	dBA
YFA25489S1M	Sleeve	110	100-125	50/60	0.32/0.28	1100/1240	10.75/12.74	380/450	3.0/4.1	0.12/0.16	41/45
YFA25489S1H				50/60	0.45/0.36	1380/1640	13.58/15.57	480/550	6.1/7.1	0.24/0.28	48/56
YFA25489B1M	Ball			50/60	0.32/0.28	1100/1240	10.75/12.74	380/450	3.0/4.1	0.12/0.16	41/45
YFA25489B1H				50/60	0.45/0.36	1380/1640	13.58/15.57	480/550	6.1/7.1	0.24/0.28	48/56
YFA25489S2M	Sleeve	220	200-240	50/60	0.17/0.15	1100/1240	10.75/12.74	380/450	3.0/4.1	0.12/0.16	41/45
YFA25489S2H				50/60	0.23/0.18	1380/1640	13.58/15.57	480/550	6.1/7.1	0.24/0.28	48/56
YFA25489B2M	Ball			50/60	0.17/0.15	1100/1240	10.75/12.74	380/450	3.0/4.1	0.12/0.16	41/45
YFA25489B2H				50/60	0.23/0.18	1380/1640	13.58/15.57	480/550	6.1/7.1	0.24/0.28	48/56

Notes1: The catalog have detail information in the front page for the functions.

2: If you want another rpm or voltage or functions which one in the list, please contact with our sales.



Shenzhen Yunfan Power Co. Limited

E-mail: info@yunfanpower.com

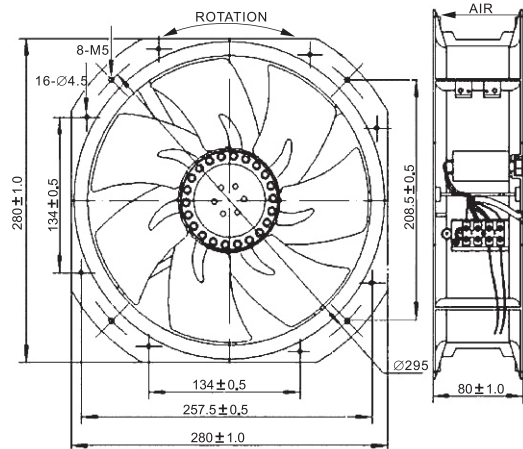
AC FAN



YUNFANPOWER

280x280x80mm

DIMENSIONS DRAWING

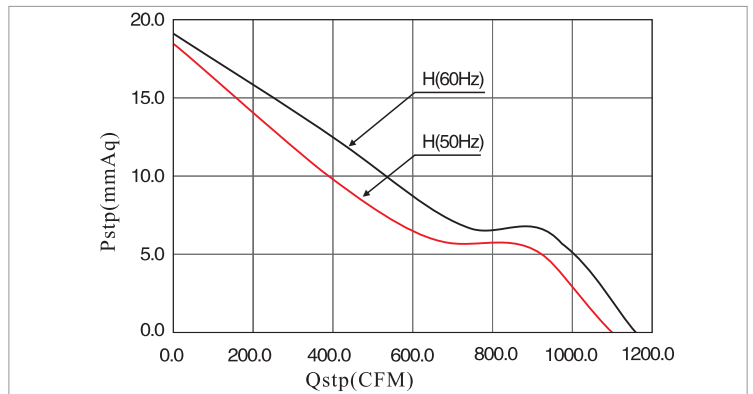


P&Q CURVE (AT RATED VOLTAGE)

AVAILABLE FUNCTIONS

1. Moto protection

AS



Model	Bearing	Rated Voltage	Startup Voltage	Freq.	Current	Speed	Air Flow		Static Pressure		Noise
Part NO.	System	VAC	VAC	Hz	A	RPM	M ³ /min	CFM	mmH ₂ O	INH ₂ O	dBA
YFA28080B1H	Ball	110	100-125	50/60	1.20/1.30	2500/2700	31.07/32.83	1098/1160	18.5/19.1	0.73/0.75	69/70
YFA28080B2H	Ball	220	200-240	50/60	1.20/1.30	2500/2700	31.07/32.83	1098/1160	18.5/19.1	0.73/0.75	69/70

Notes1: The catalog have detail information in the front page for the functions.

2: If you want another rpm or voltage or functions which one in the list, please contact with our sales.



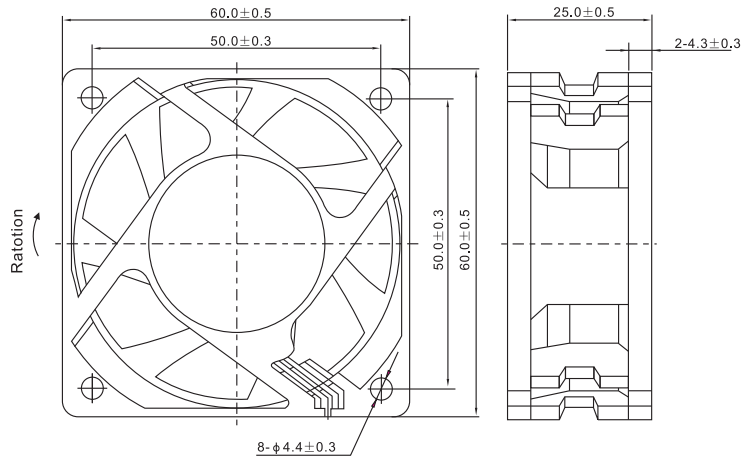
YUNFANPOWER

EC AXIAL

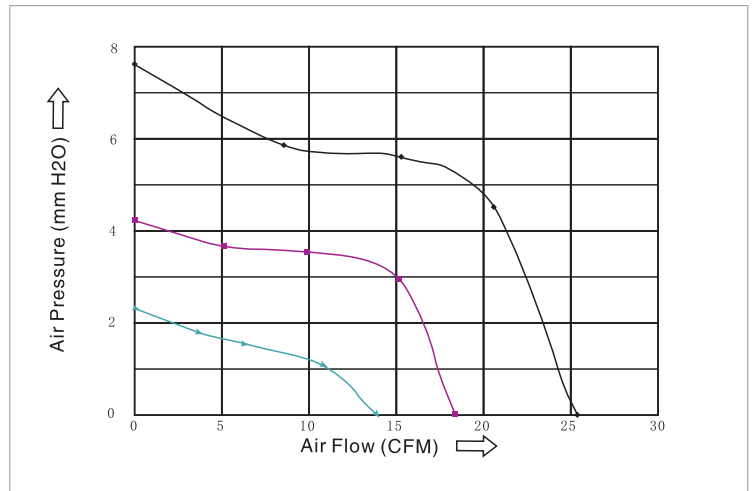
60x60x25mm



DIMENSIONS DRAWING



P&Q CURVE (AT RATED VOLTAGE)



AVAILABLE FUNCTIONS

1. Moto protection
AS



Model	Bearing System		Rated Voltage	Freq.	Operation Voltage	Rated Current	Power	Rated Speed	Air Flow	Air Pressure	Noise Level	Weight
	Ball	Sleeve	VAC	Hz	VAC	A	W	RPM	CFM	mmH ₂ O	dBA	g
YF6025HB/SL150/230E	●	●	115/230	50/60	98-264	0.05	4.0	5500	25.2	6.5	37	62
YF6025MB/SL150/230E	●	●				0.04	3.0	4000	18.3	4.2	30	
YF6025LB/SL150/230E	●	●				0.03	2.0	3000	13.8	2.3	24	

Notes1: The catalog have detail information in the front page for the functions.

2: If you want another rpm or voltage or functions which one in the list, please contact with our sales.



Shenzhen Yunfan Power Co.Limited

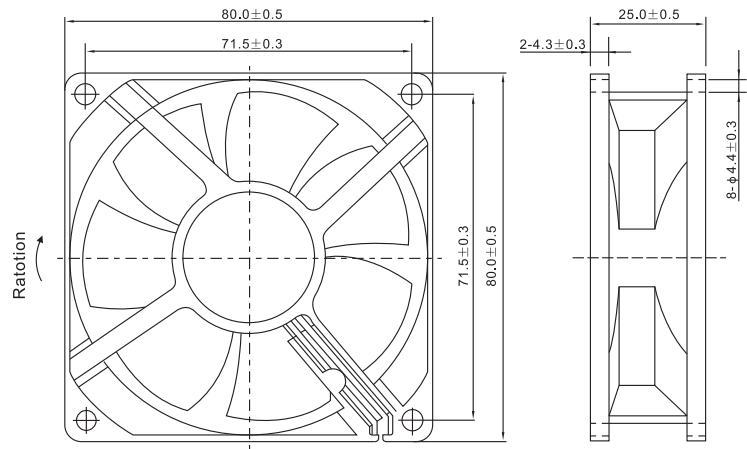
E-mail: info@yunfanpower.com

EC AXIAL

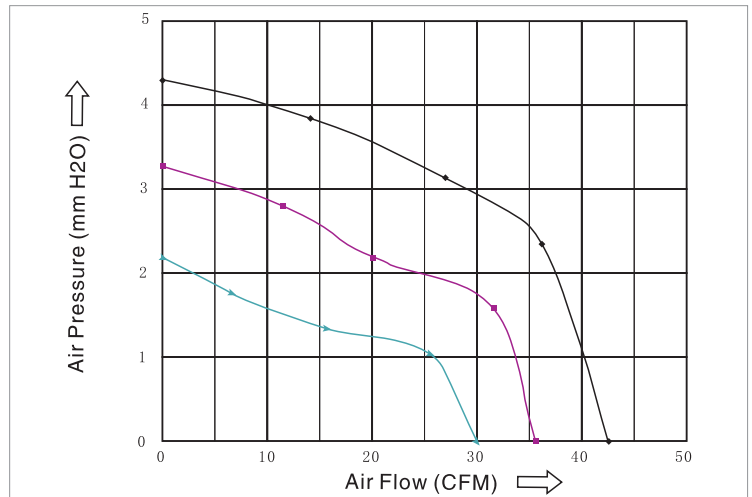
80x80x25mm



DIMENSIONS DRAWING



P&Q CURVE (AT RATED VOLTAGE)



AVAILABLE FUNCTIONS

1. Moto protection
AS



Model	Bearing System		Rated Voltage	Freq.	Operation Voltage	Rated Current	Power	Rated Speed	Air Flow	Air Pressure	Noise Level	Weight
	Ball	Sleeve	VAC	Hz	VAC	A	W	RPM	CFM	mmH ₂ O	dBA	g
YF8025HB/SL150/230E	●	●	115/230	50/60	98-264	0.05	5.0	3200	42.5	4.3	34	76
YF8025MB/SL150/230E	●	●				0.04	4.0	2800	35.7	3.3	28	
YF8025LB/SL150/230E	●	●				0.03	3.0	2400	30.2	2.2	23	

Notes1: The catalog have detail information in the front page for the functions.

2: If you want another rpm or voltage or functions which one in the list, please contact with our sales.



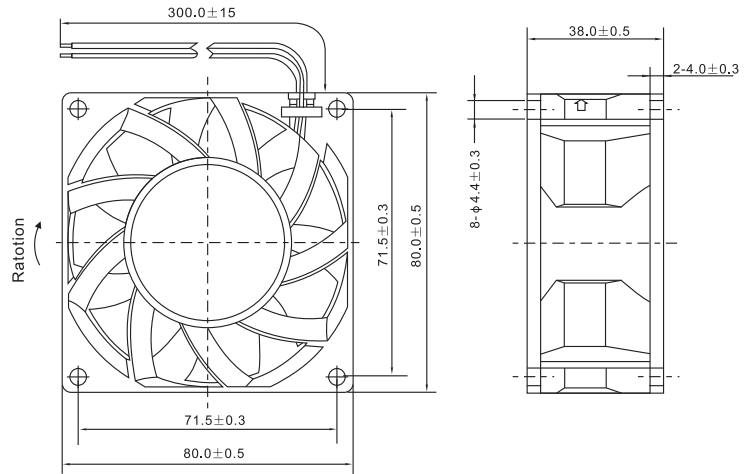
YUNFANPOWER

EC AXIAL

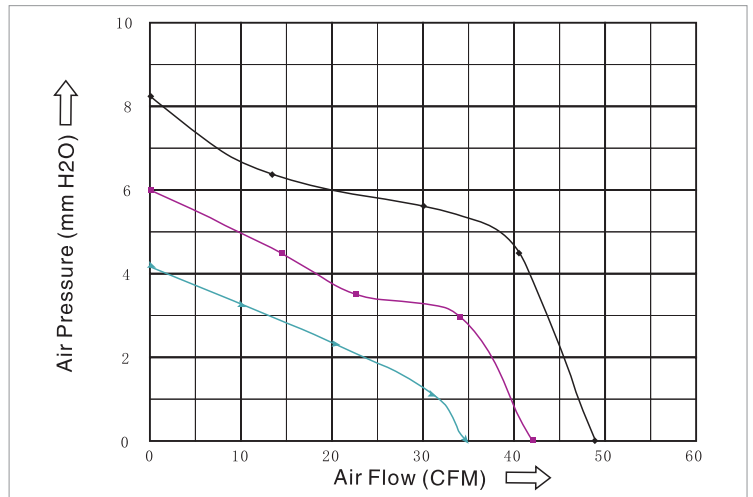
80x80x38mm



DIMENSIONS DRAWING



P&Q CURVE (AT RATED VOLTAGE)



AVAILABLE FUNCTIONS

1. Moto protection

AS



Model	Bearing System		Rated Voltage	Freq.	Operation Voltage	Rated Current	Power	Rated Speed	Air Flow	Air Pressure	Noise Level	Weight
	Ball	Sleeve	VAC	Hz	VAC	A	W	RPM	CFM	mmH ₂ O	dBA	g
YF8038HB/SL150/230E	●	●	115/230	50/60	98-264	0.06	6.0	3500	48.7	8.2	42	140
YF8038MB/SL150/230E	●	●				0.04	4.0	3000	41.7	6.0	37	
YF8038LB/SL150/230E	●	●				0.03	3.0	2500	34.8	4.2	32	

Notes1: The catalog have detail information in the front page for the functions.

2: If you want another rpm or voltage or functions which one in the list, please contact with our sales.



Shenzhen Yunfan Power Co.Limited

E-mail: info@yunfanpower.com

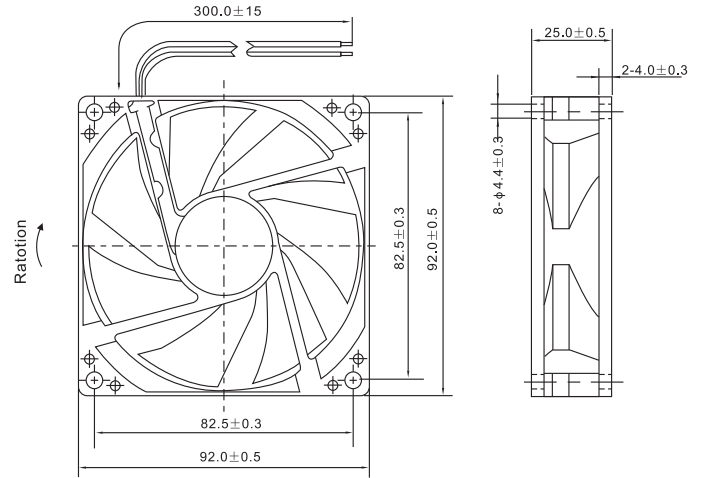
EC AXIAL



92x92x25mm



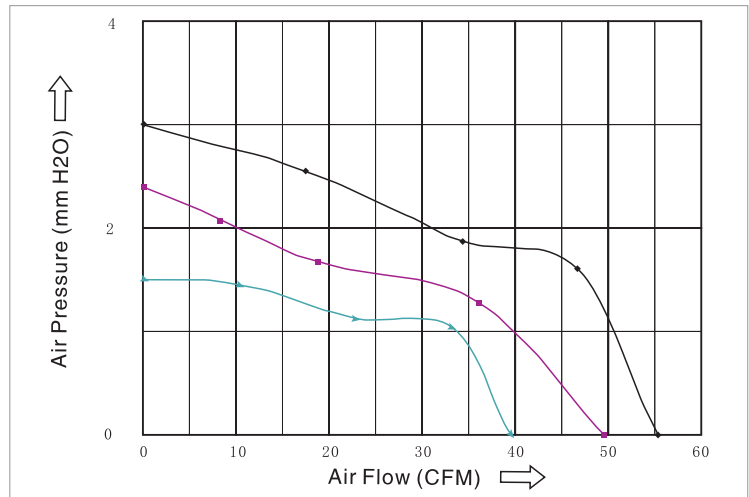
DIMENSIONS DRAWING



P&Q CURVE (AT RATED VOLTAGE)

AVAILABLE FUNCTIONS

1. Moto protection
AS



Model	Bearing System		Rated Voltage	Freq.	Operation Voltage	Rated Current	Power	Rated Speed	Air Flow	Air Pressure	Noise Level	Weight
	Ball	Sleeve	VAC	Hz	VAC	A	W	RPM	CFM	mmH2O	dBA	g
YF9225HB/SL150/230E	●	●	115/230	50/60	98-264	0.06	6.0	2800	55.2	3.0	33	85
YF9225MB/SL150/230E	●	●				0.05	5.0	2500	49.3	2.4	30	
YF9225LB/SL150/230E	●	●				0.03	3.0	2000	39.4	1.5	25	

Notes1: The catalog have detail information in the front page for the functions.

2: If you want another rpm or voltage or functions which one in the list, please contact with our sales.



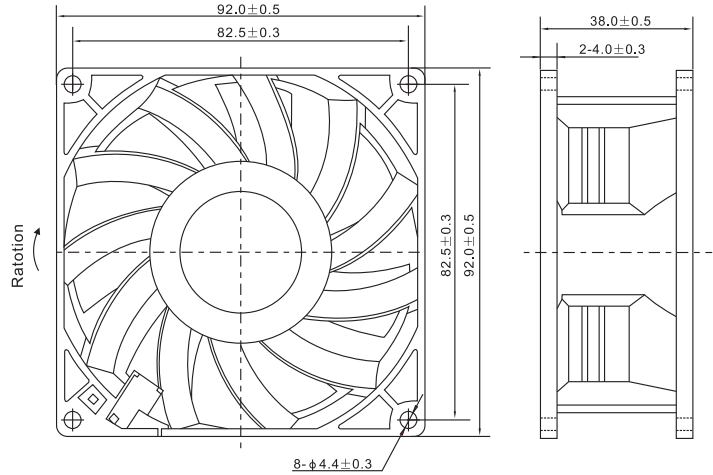
YUNFANPOWER

EC AXIAL

92x92x38mm



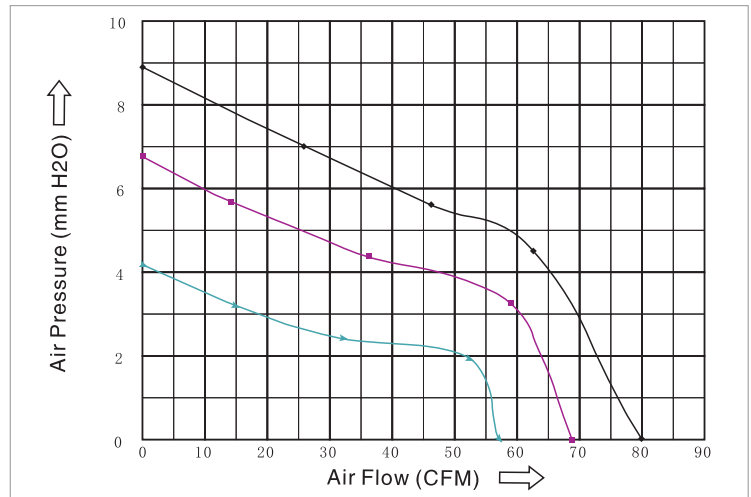
DIMENSIONS DRAWING



P&Q CURVE (AT RATED VOLTAGE)

AVAILABLE FUNCTIONS

1. Moto protection
AS



Model	Bearing System		Rated Voltage	Freq.	Operation Voltage	Rated Current	Power	Rated Speed	Air Flow	Air Pressure	Noise Level	Weight
	Ball	Sleeve	VAC	Hz	VAC	A	W	RPM	CFM	mmH ₂ O	dBA	g
YF9238HB/SL150/230E	●	●	115/230	50/60	98-264	0.07	7.0	3500	79.9	8.9	37	175
YF9238MB/SL150/230E	●	●				0.05	5.0	3000	68.5	6.8	33	
YF9238LB/SL150/230E	●	●				0.03	4.0	2500	57.1	4.2	29	

Notes1: The catalog have detail information in the front page for the functions.

2: If you want another rpm or voltage or functions which one in the list, please contact with our sales.



Shenzhen Yunfan Power Co. Limited

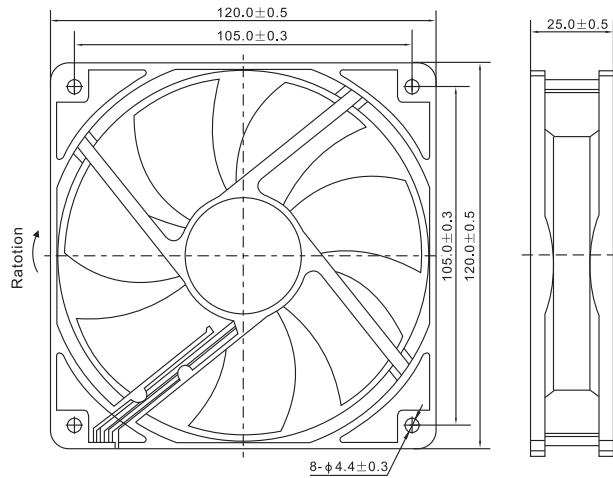
E-mail: info@yunfanpower.com

EC AXIAL

120x120x25mm



DIMENSIONS DRAWING

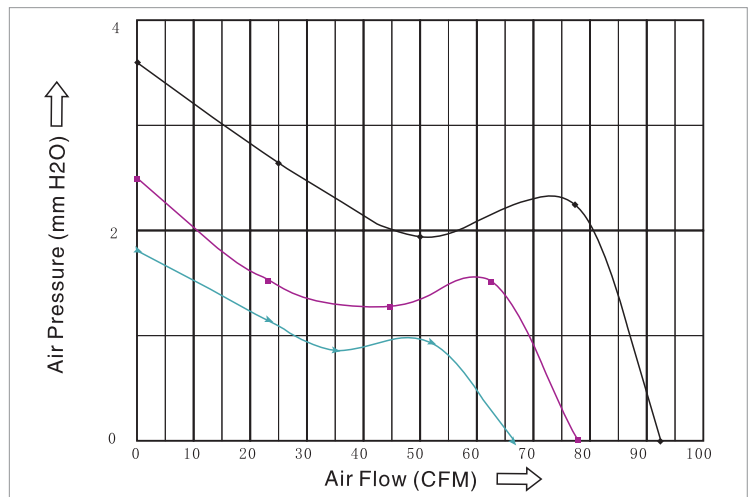


P&Q CURVE (AT RATED VOLTAGE)

AVAILABLE FUNCTIONS

- 1. Moto protection

AS



Model	Bearing System		Rated Voltage	Freq.	Operation Voltage	Rated Current	Power	Rated Speed	Air Flow	Air Pressure	Noise Level	Weight
	Ball	Sleeve	VAC	Hz	VAC	A	W	RPM	CFM	mmH2O	dBA	g
YF12025HB/SL150/230E	●	●	115/230	50/60	98-264	0.08	7.0	2600	100.2	4.2	38	140
YF12025MB/SL150/230E	●	●				0.06	4.0	2200	85.5	3.0	33	
YF12025LB/SL150/230E	●	●				0.05	3.0	1800	68.6	2.1	28	

Notes1: The catalog have detail information in the front page for the functions.
 2: If you want another rpm or voltage or functions which one in the list, please contact with our sales.

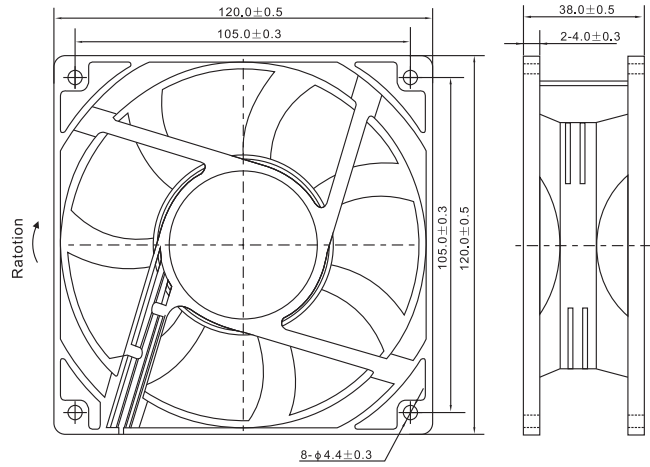


YUNFANPOWER

EC AXIAL

120x120x38mm

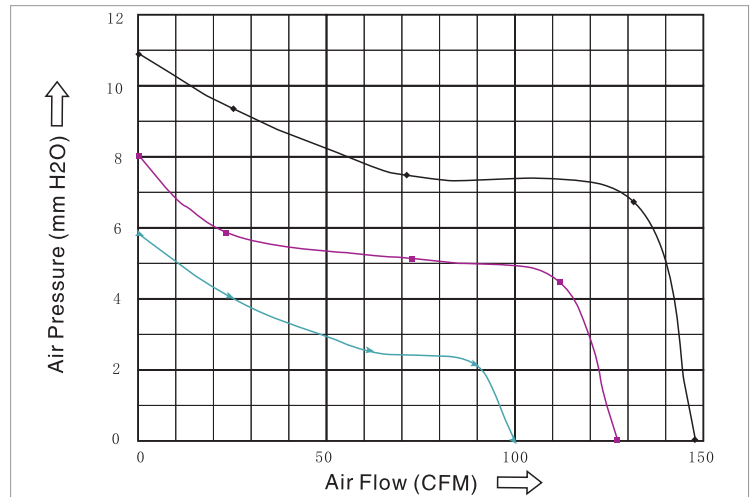
DIMENSIONS DRAWING



P&Q CURVE (AT RATED VOLTAGE)

AVAILABLE FUNCTIONS

1. Moto protection
AS



Model	Bearing System		Rated Voltage	Freq.	Operation Voltage	Rated Current	Power	Rated Speed	Air Flow	Air Pressure	Noise Level	Weight
	Ball	Sleeve	VAC	Hz	VAC	A	W	RPM	CFM	mmH ₂ O	dBA	g
YF12038XB/SL150/230E	●		115/230	50/60	98-264	0.13	18.0	4000	168.2	14.2	50	260
YF12038HB/SL150/230E	●	●				0.10	12.0	3500	147.6	10.9	47	
YF12038MB/SL150/230E	●	●				0.08	8.0	3000	126.5	8.0	44	
YF12038LB/SL150/230E	●	●				0.06	6.0	2500	99.7	5.8	40	

Notes1: The catalog have detail information in the front page for the functions.

2: If you want another rpm or voltage or functions which one in the list, please contact with our sales.

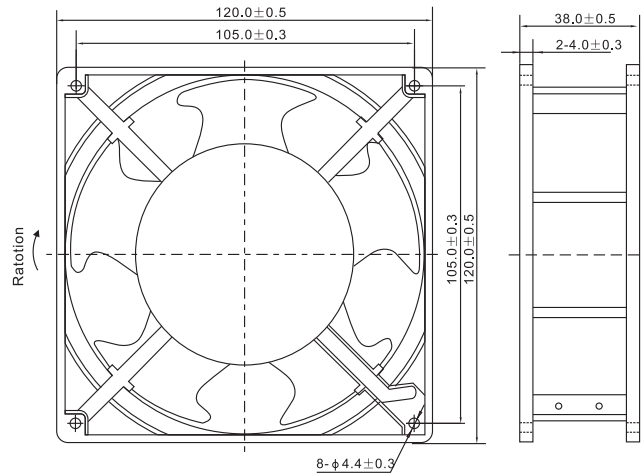
EC AXIAL



120x120x38mm



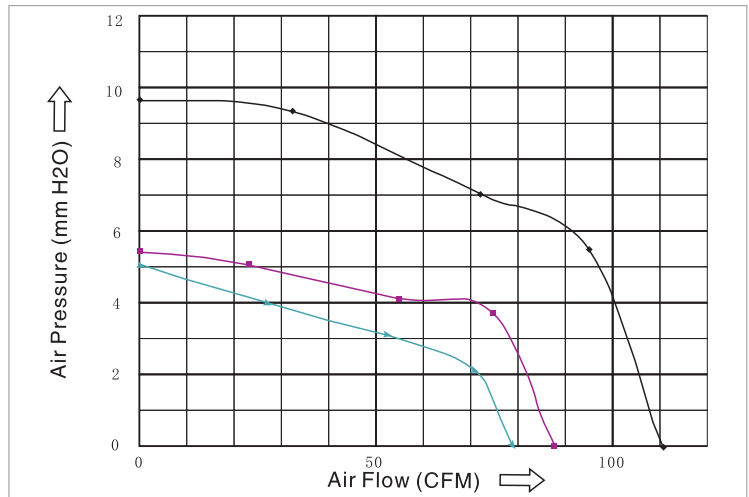
DIMENSIONS DRAWING



P&Q CURVE (AT RATED VOLTAGE)

AVAILABLE FUNCTIONS

1. Moto protection
AS



Model	Bearing System		Rated Voltage	Freq.	Operation Voltage	Rated Current	Power	Rated Speed	Air Flow	Air Pressure	Noise Level	Weight
	Ball	Sleeve	VAC	Hz	VAC	A	W	RPM	CFM	mmH ₂ O	dBA	g
YF12038XB/SL150/230E	●		115/230	50/60	98-264	0.12	18.0	4000	158.5	15.5	52	360
YF12038HB/SL150/230E	●	●				0.10	8.0	3000	110.5	9.7	45	350
YF12038MB/SL150/230E	●	●	220-240	50/60	198-264	0.08	5.0	2600	87.5	5.5	39	
YF12038LB/SL150/230E	●	●				0.06	3.0	2300	78.6	5.1	36	

Notes1: The catalog have detail information in the front page for the functions.
2: If you want another rpm or voltage or functions which one in the list, please contact with our sales.



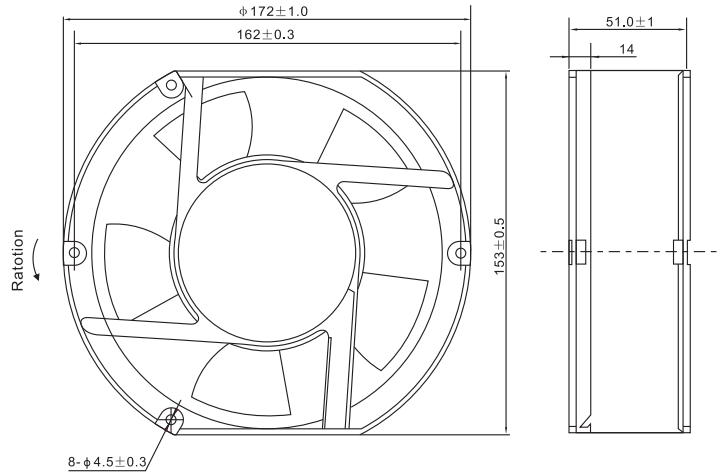
YUNFANPOWER

EC AXIAL

172x150x51mm



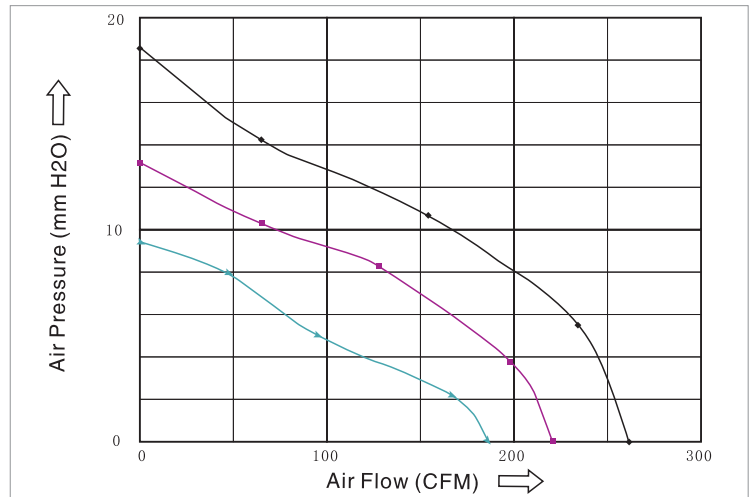
DIMENSIONS DRAWING



P&Q CURVE (AT RATED VOLTAGE)

AVAILABLE FUNCTIONS

1. Moto protection
AS



Model	Bearing System		Rated Voltage	Freq.	Operation Voltage	Rated Current	Power	Rated Speed	Air Flow	Air Pressure	Noise Level	Weight
	Ball	Sleeve	VAC	Hz	VAC	A	W	RPM	CFM	mmH ₂ O	dBA	g
YF17051HB/SL150/230E	●	●	115/230	50/60	98-264	0.35	35.0	3500	260.0	18.5	59	740
YF17051MB/SL150/230E	●	●				0.25	22.0	3000	220.9	13.2	51	
YF17051LB/SL150/230E	●	●				0.18	16.0	2500	185.2	9.4	44	

Notes1: The catalog have detail information in the front page for the functions.

2: If you want another rpm or voltage or functions which one in the list, please contact with our sales.

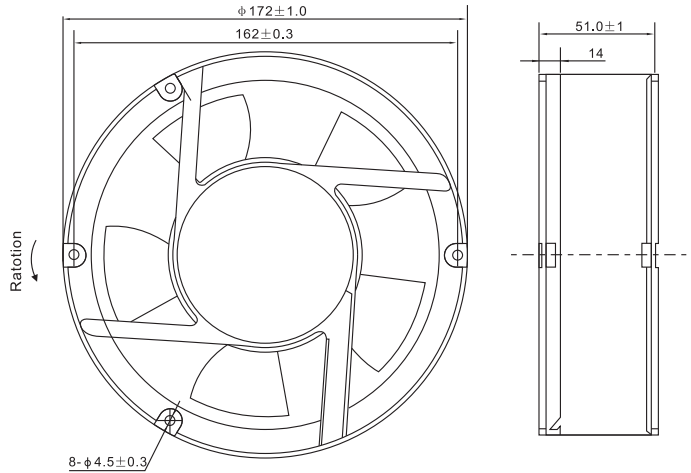
EC AXIAL



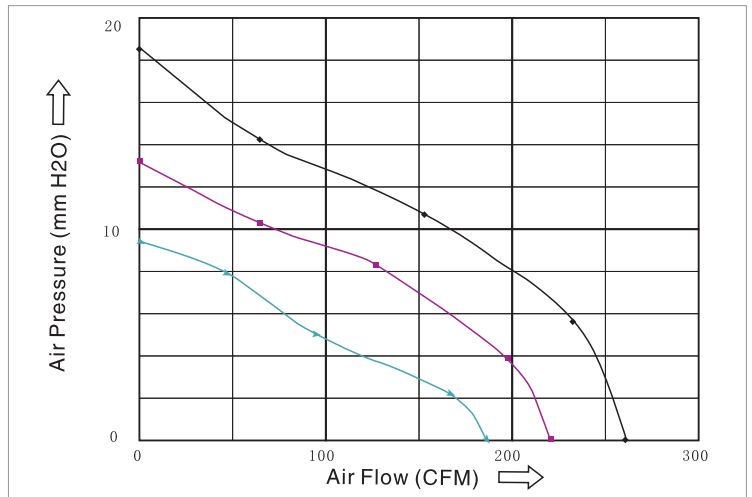
172x51mm



DIMENSIONS DRAWING



P&Q CURVE (AT RATED VOLTAGE)



AVAILABLE FUNCTIONS

1. Moto protection
AS

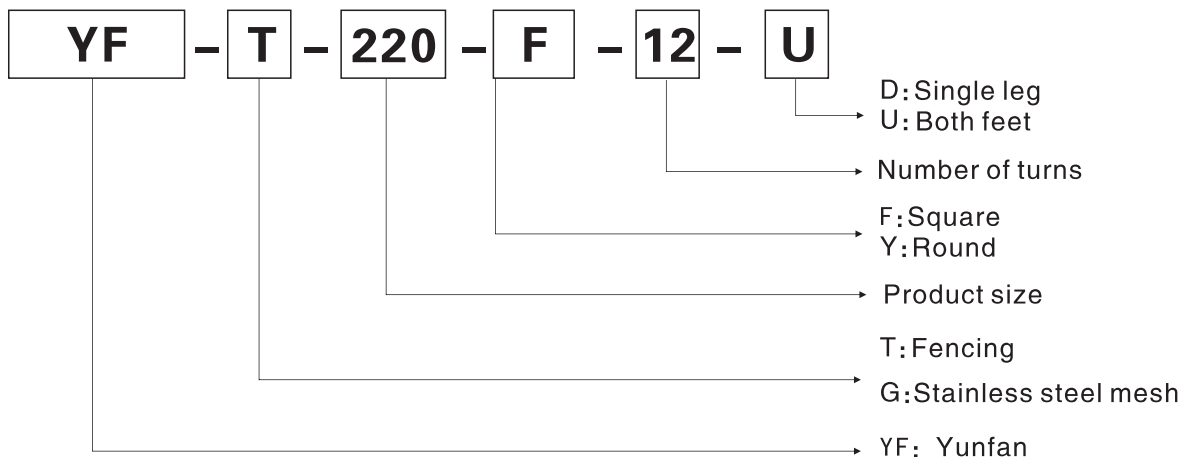


Model	Bearing System		Rated Voltage	Freq.	Operation Voltage	Rated Current	Power	Rated Speed	Air Flow	Air Pressure	Noise Level	Weight
	Ball	Sleeve	VAC	Hz	VAC	A	W	RPM	CFM	mmH ₂ O	dBA	g
YF17251HB/SL150/230E	●	●	115/230	50/60	98-264	0.35	35.0	3500	261.5	18.5	59	760
YF17251MB/SL150/230E	●	●				0.25	22.0	3000	221.2	13.2	51	
YF17251LB/SL150/230E	●	●				0.18	16.0	2500	185.5	9.4	44	

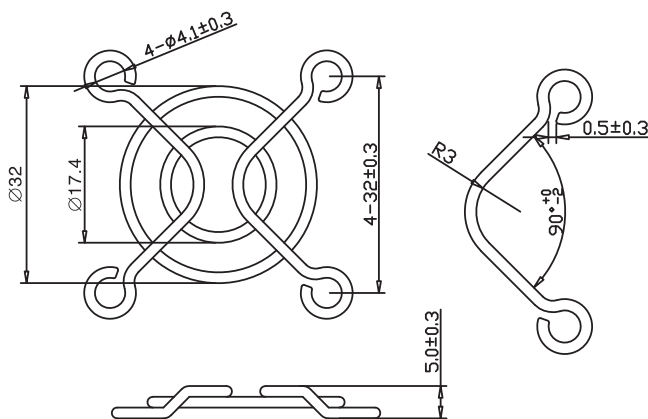
Notes1: The catalog have detail information in the front page for the functions.
2: If you want another rpm or voltage or functions which one in the list, please contact with our sales.

Metal protective mesh cover

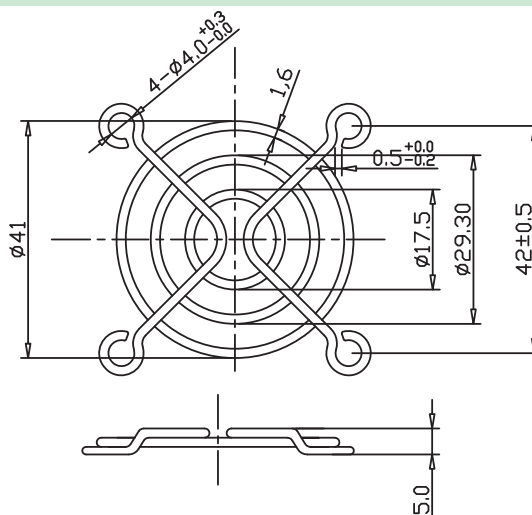
PART NUMBER CODE



YF-T-40-2

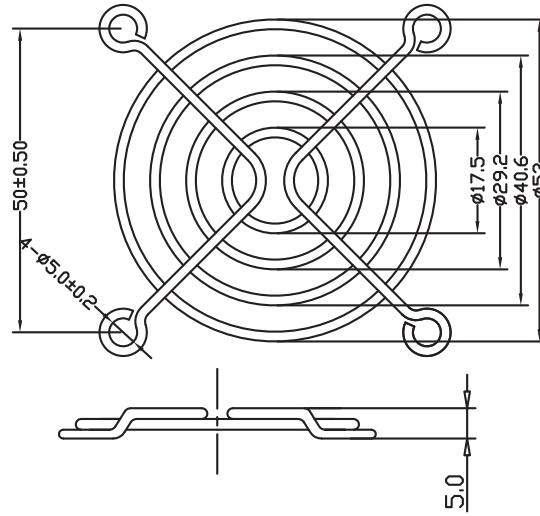


YF-T-50-3

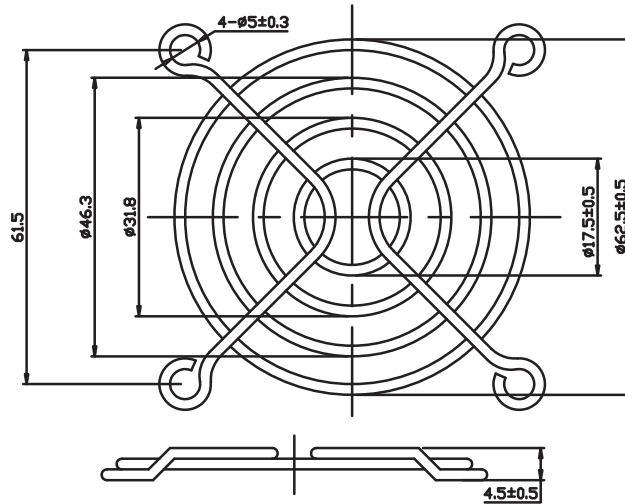


Metal protective mesh cover

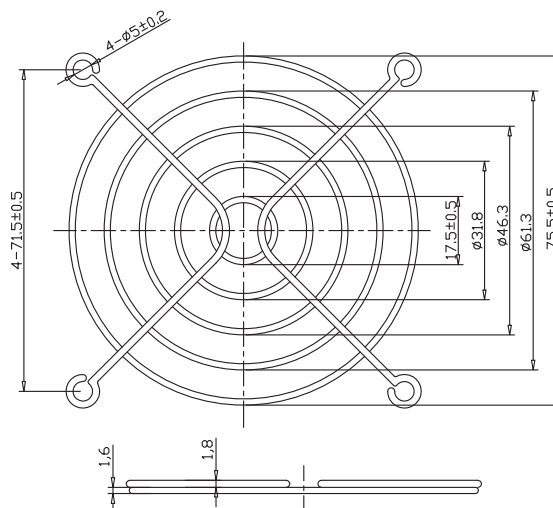
YF-T-60-4



YF-T-70-5

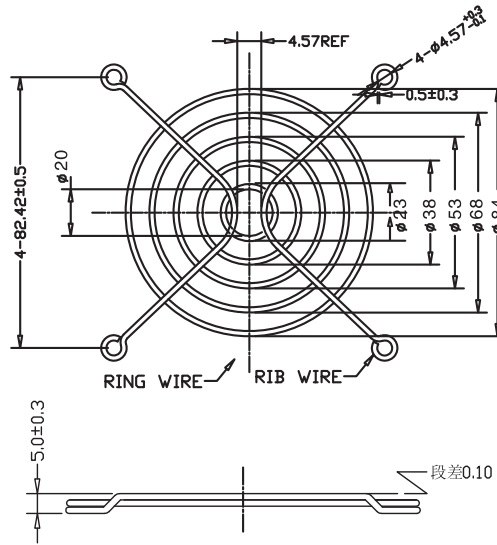
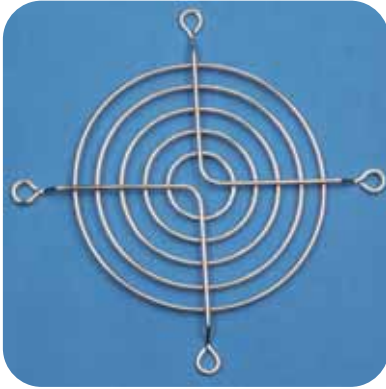


YF-T-80-5

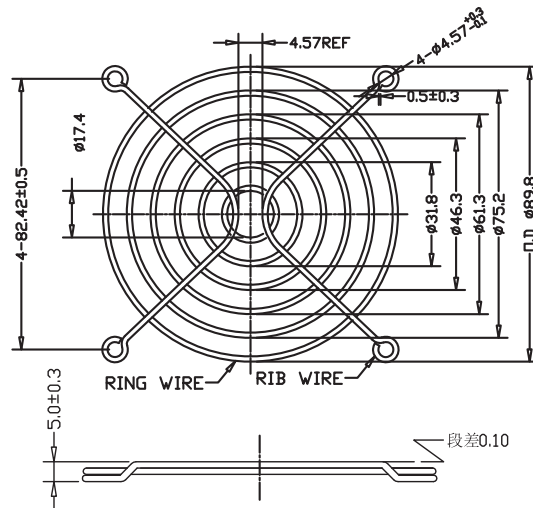
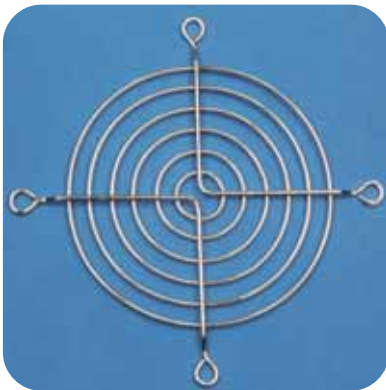




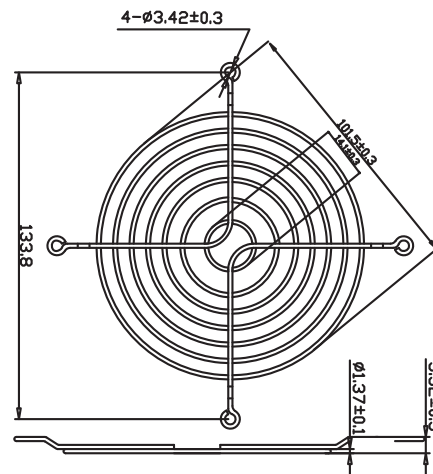
YF-T-90-5



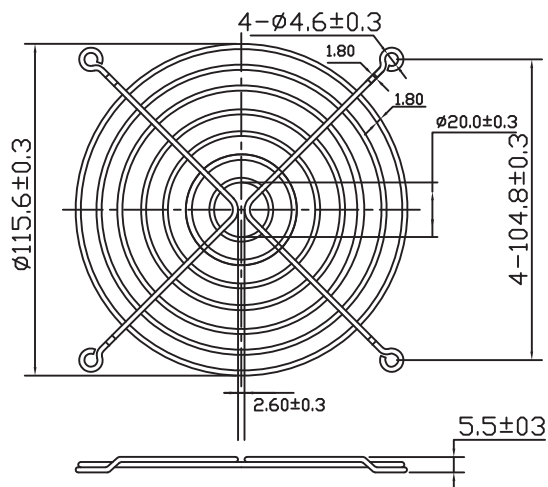
YF-T-90-6



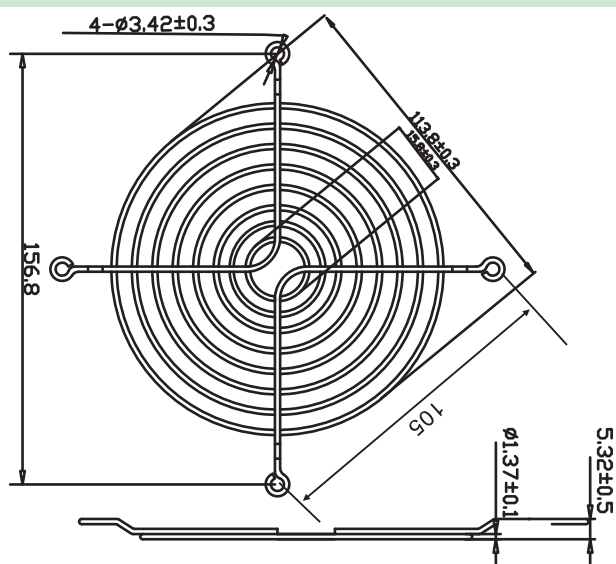
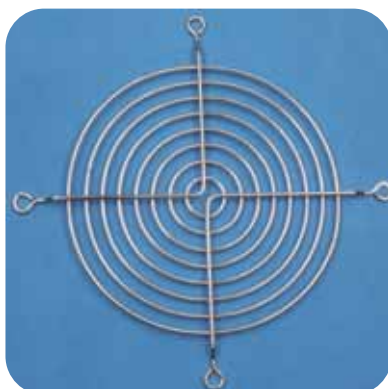
YF-T-110-7



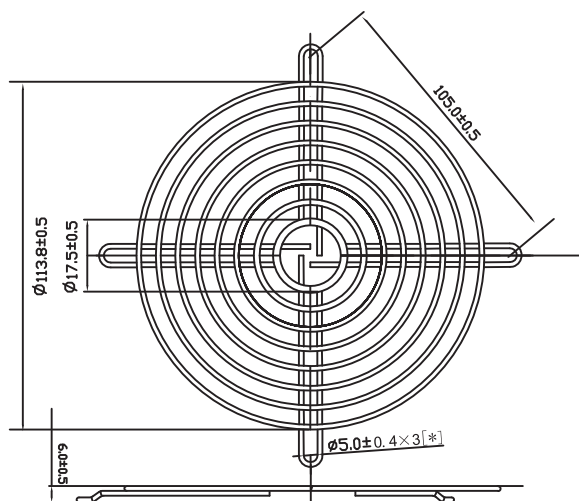
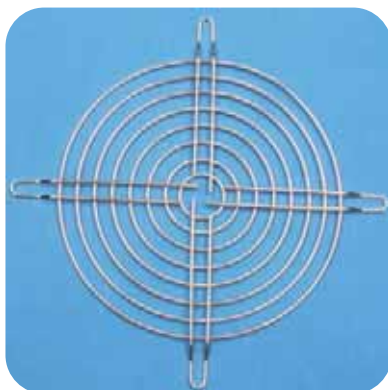
YF-T-120-7Q



YF-T-120-8



YF-T-120-8U

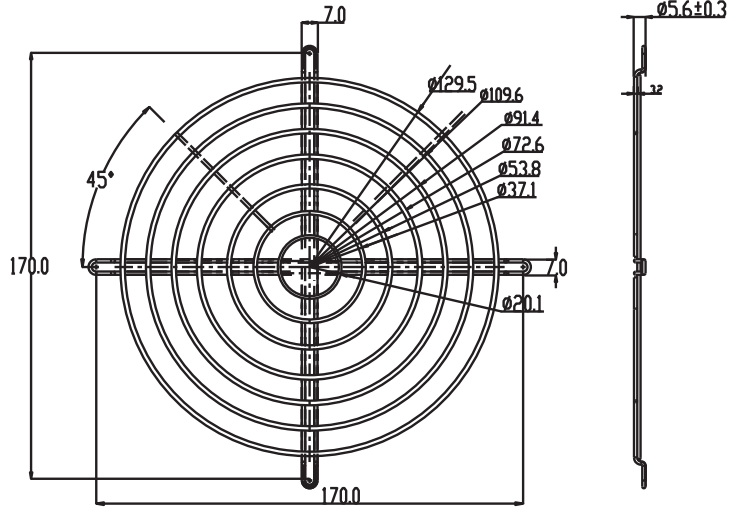
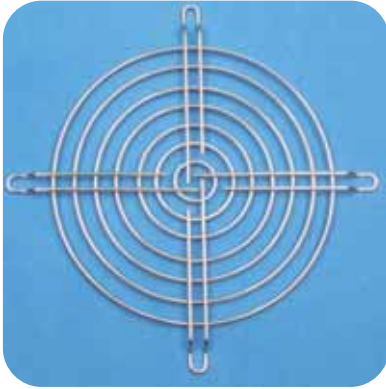




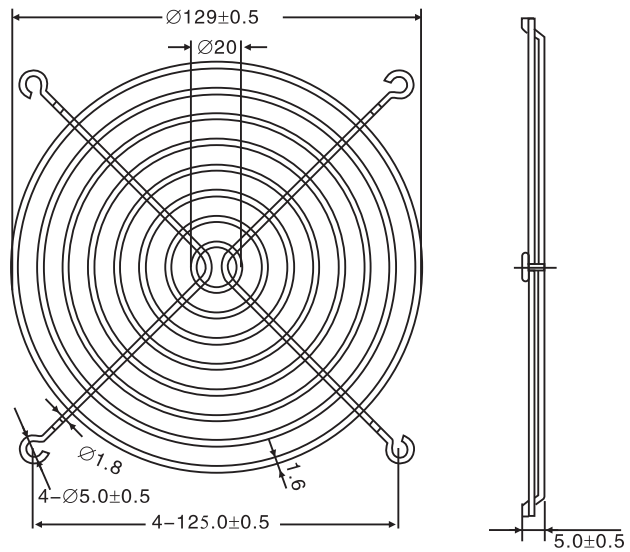
YUNFANPOWER

Metal protective mesh cover

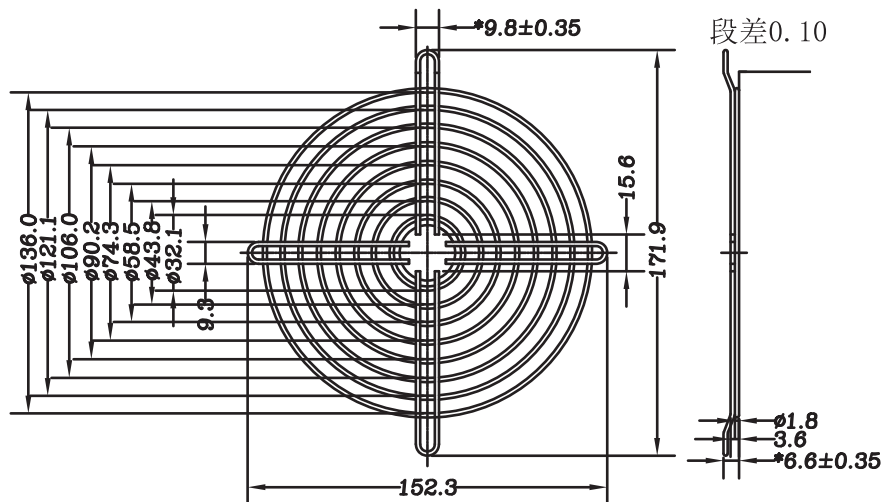
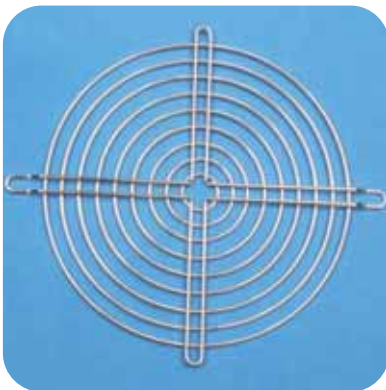
YF-T-125-7U (可配13538、125FZY)



YF-T-140-D-8

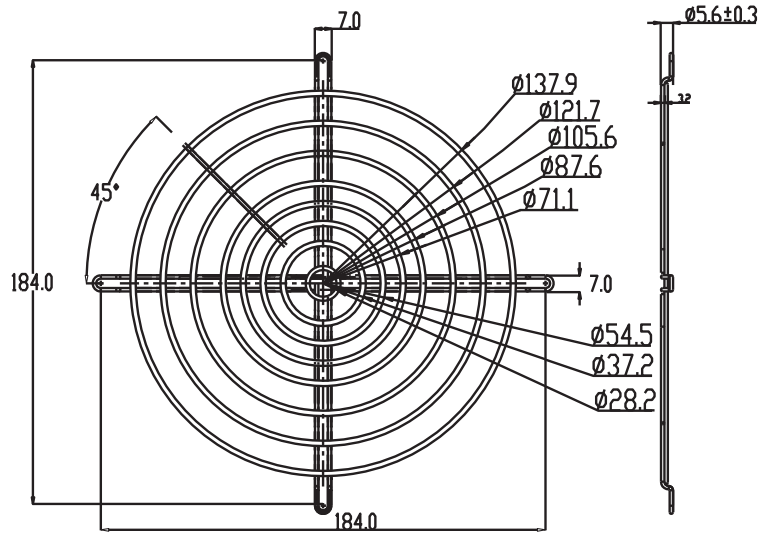
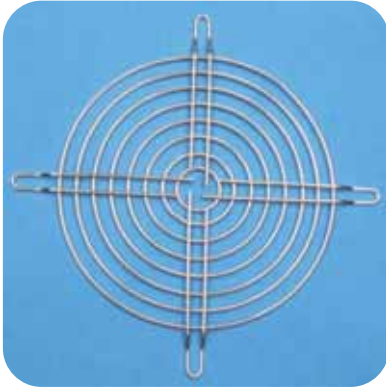


YF-T-145/2-8(可配145FZY、17055、17251)

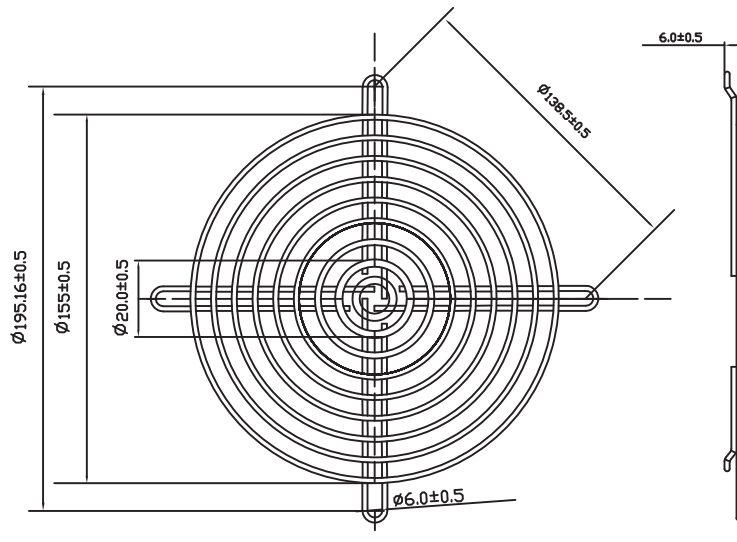




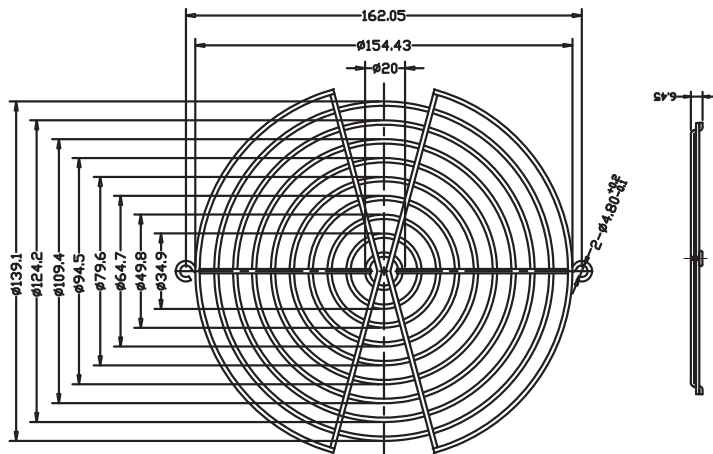
YF-T-150-8U(15050专用网)



YF-T-160-9U(16055专用网)

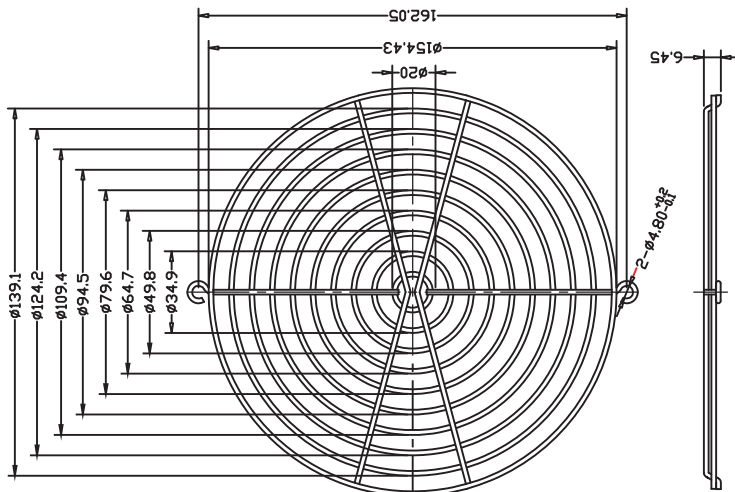


YF-T-170-V-10(开口)(17251专用网 出口版)

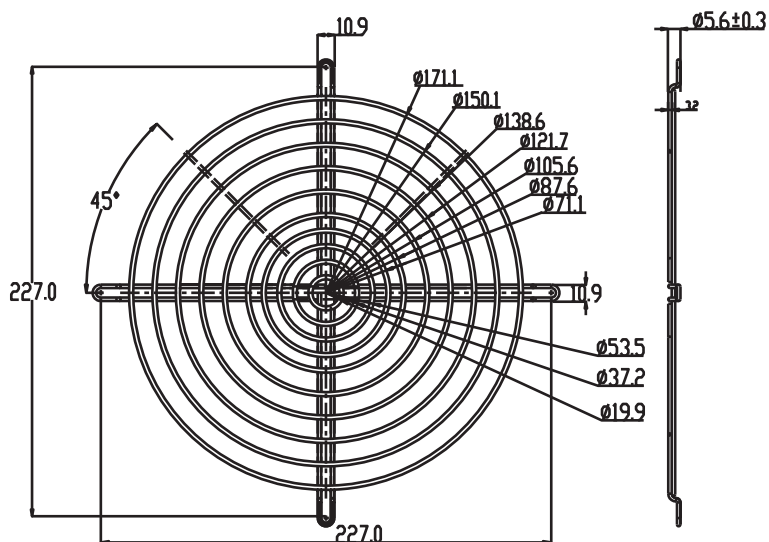


Metal protective mesh cover

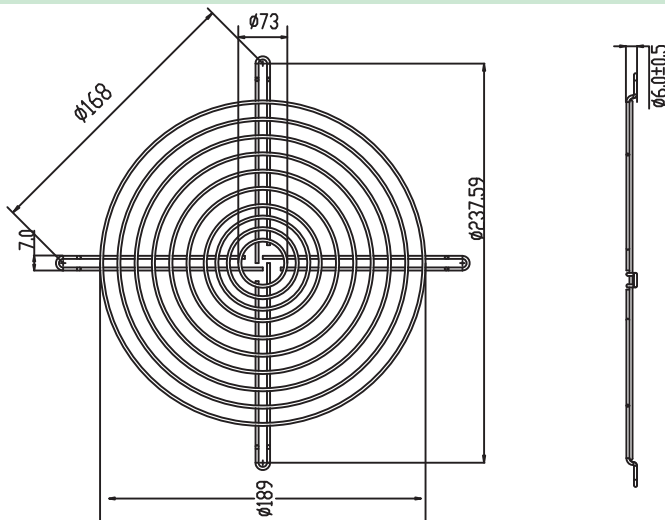
YF-T-170-V-10(17251专用网 出口版)



YF-T-180-10U

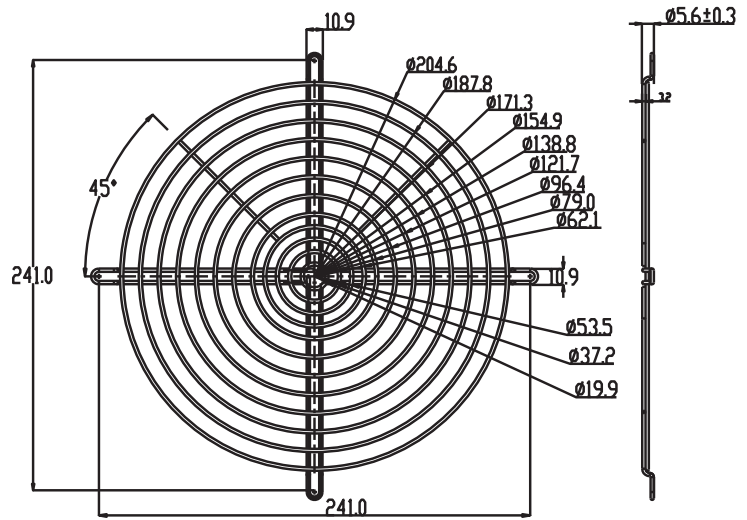


YF-T-200-F-10U

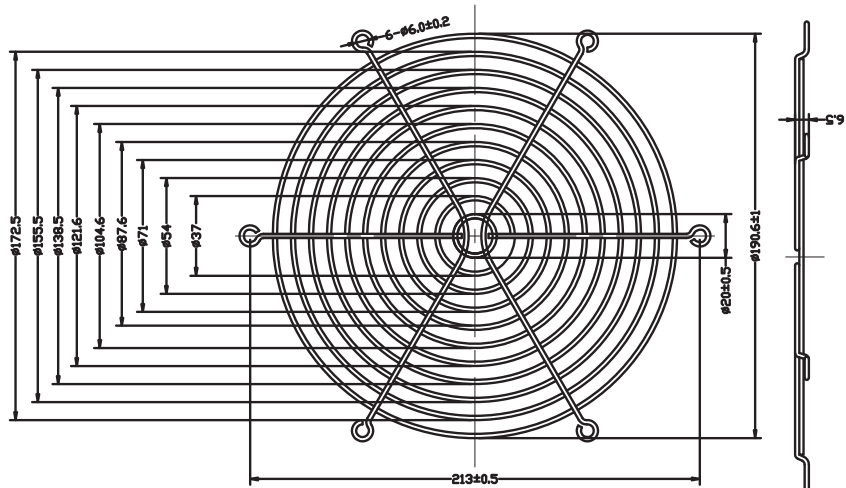
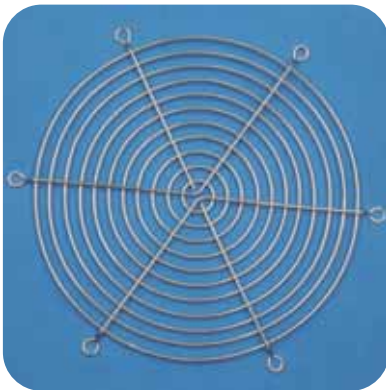




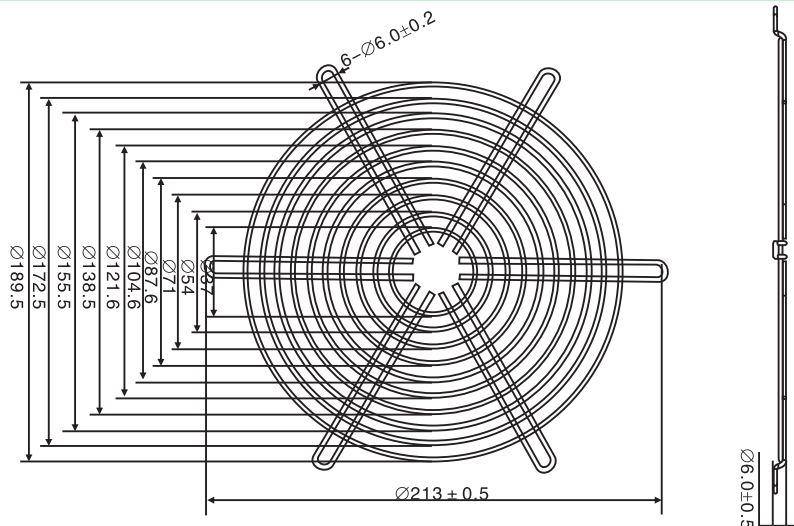
YF-T-200-F-12U(配20060)



YF-T-220-Y-11-D(22060专用网)

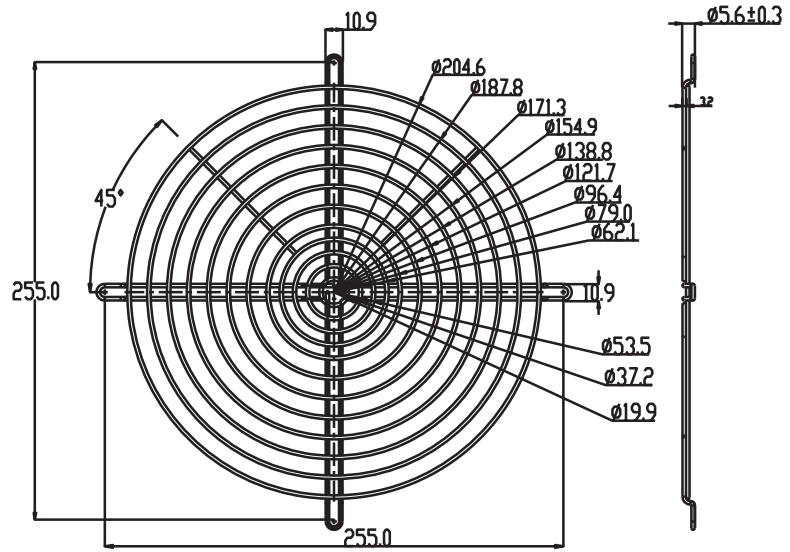


YF-T-220-10U(22060专用网)

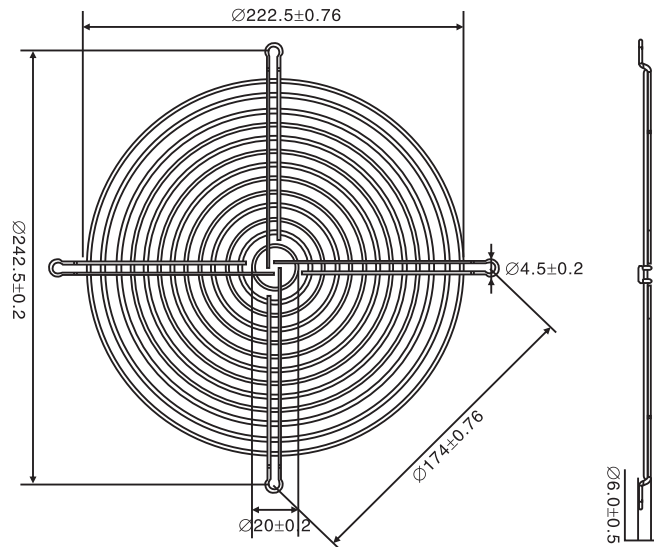
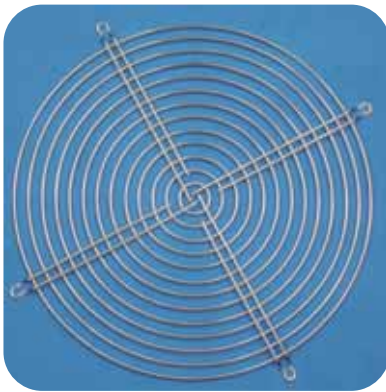


Metal protective mesh cover

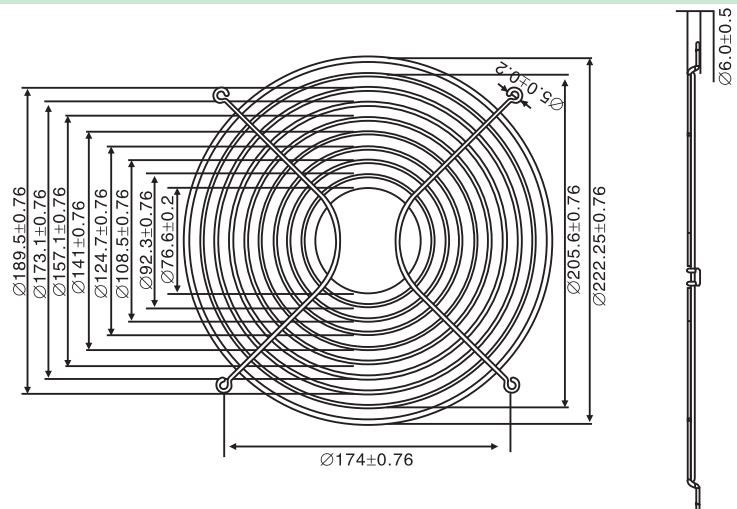
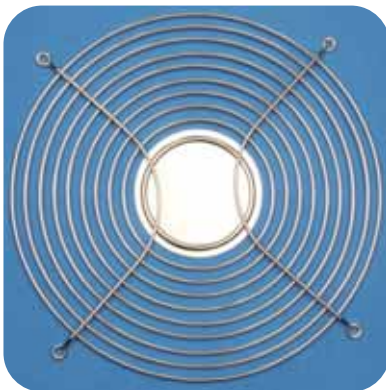
YF-T-220-F-12U(22580专用网)



YF-T-254-13U(25489专用简易型)

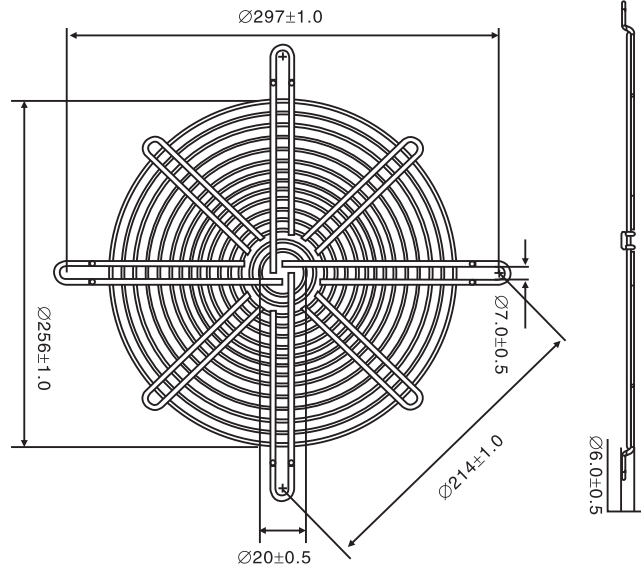
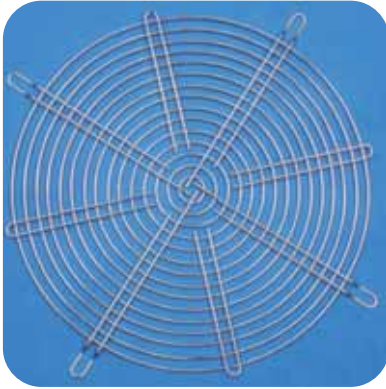


YF-T-254-9-D(25489专用网)

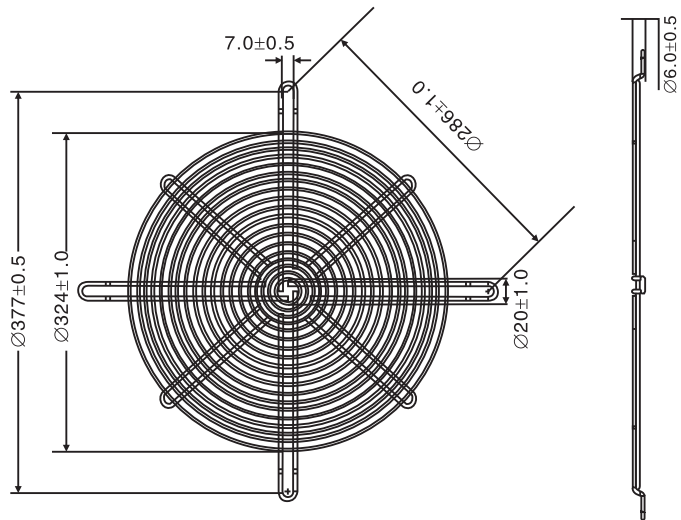
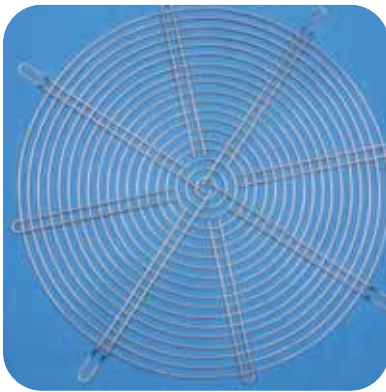




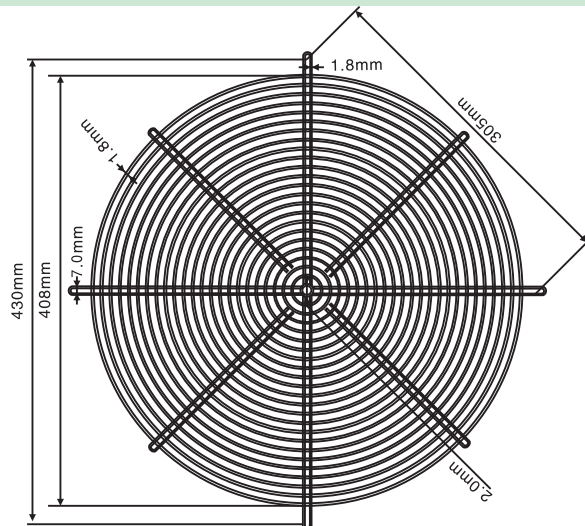
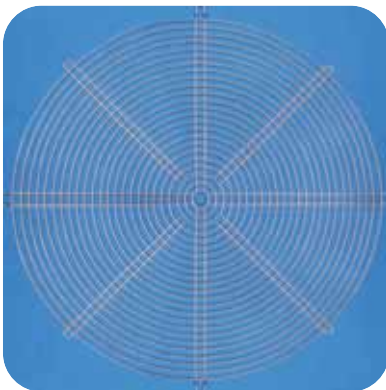
YF-T-280-15U(28080专用网)



YF-T-300-19U(300FZY专用网)



YF-T-400-23U(400FZY专用网)



Three in one dust screen cover



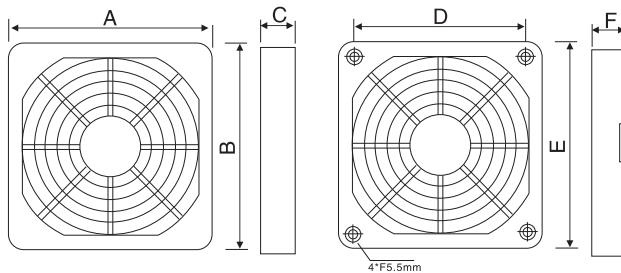
Three in one dust screen cover

PART NUMBER CODE

YF - **J** - **30** - **B** - **A**



YF-J40B-A

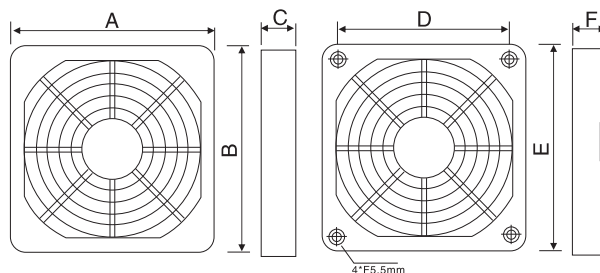


Size 尺寸(mm)	型号 Model	A	B	C	D	E	F
	YF-J40B-A	43.5	43.5	7	32	40	3

Technical requirement

1. Ventilation network material: Flame resistant ABS resin
2. Filter material: nylon fiber synthetic resin
3. Usage range: indoor $-10^{\circ}\text{C}\sim+55^{\circ}\text{C}$
4. Dust removal rate: 89%
5. Protection level: IP40

YF-J50B-A

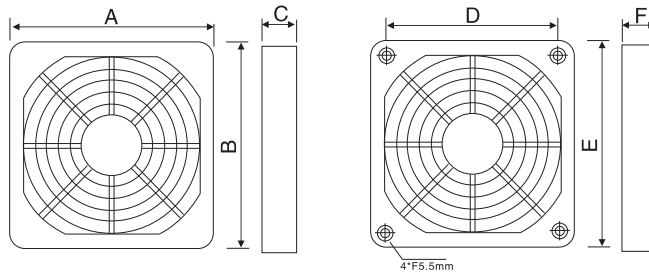


Size 尺寸(mm)	型号 Model	A	B	C	D	E	F
	YF-J50B-A	54	54	7	40	50	3

Technical requirement

1. Ventilation network material: Flame resistant ABS resin
2. Filter material: nylon fiber synthetic resin
3. Usage range: indoor $-10^{\circ}\text{C}\sim+55^{\circ}\text{C}$
4. Dust removal rate: 89%
5. Protection level: IP40

YF-J60B-A

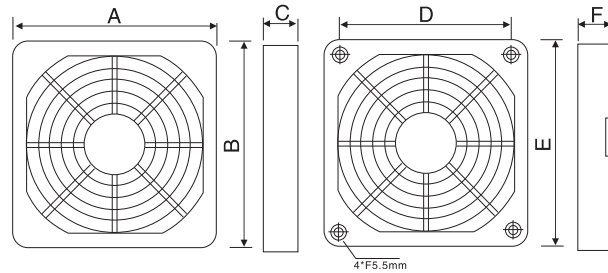


Size 尺寸(mm)	型号 Model	A	B	C	D	E	F
	YF-J60B-A	64	64	7	50	60	3

Technical requirement

1. Ventilation network material: Flame resistant ABS resin
2. Filter material: nylon fiber synthetic resin
3. Usage range: indoor $-10^{\circ}\text{C}\sim+55^{\circ}\text{C}$
4. Dust removal rate: 89%
5. Protection level: IP40

YF-J70B-A

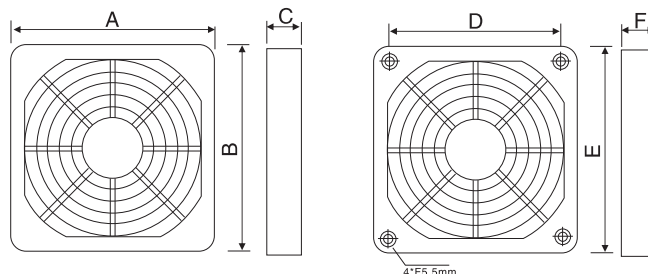


Size 尺寸(mm)	型号 Model	A	B	C	D	E	F
	YF-J70B-A	74	74	10	61.5	70	3

Technical requirement

1. Ventilation network material: Flame resistant ABS resin
2. Filter material: nylon fiber synthetic resin
3. Usage range: indoor $-10^{\circ}\text{C}\sim+55^{\circ}\text{C}$
4. Dust removal rate: 89%
5. Protection level: IP40

YF-J80B-A



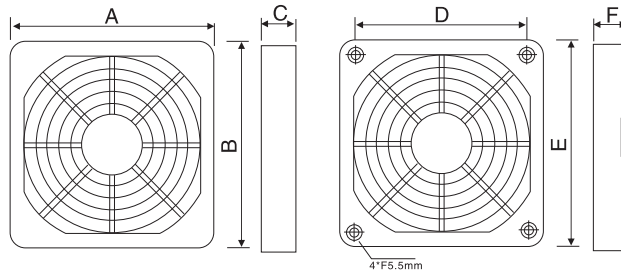
Size 尺寸(mm)	型号 Model	A	B	C	D	E	F
	YF-J80B-A	87	87	9	71.5	80	4.5

Technical requirement

1. Ventilation network material: Flame resistant ABS resin
2. Filter material: nylon fiber synthetic resin
3. Usage range: indoor $-10^{\circ}\text{C}\sim+55^{\circ}\text{C}$
4. Dust removal rate: 89%
5. Protection level: IP40

Three in one dust screen cover

YF-J92B-A

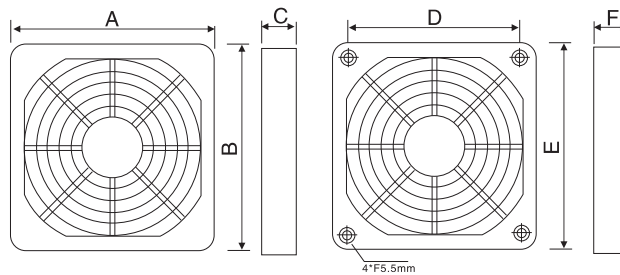


Size 尺寸(mm)	型号 Model	A	B	C	D	E	F
	YF-J92B-A	96.5	96.5	10.5	92.5	92.7	4.5

Technical requirement

1. Ventilation network material: Flame resistant ABS resin
2. Filter material: nylon fiber synthetic resin
3. Usage range: indoor $-10^{\circ}\text{C}\sim+55^{\circ}\text{C}$
4. Dust removal rate: 89%
5. Protection level: IP40

YF-J110B-A

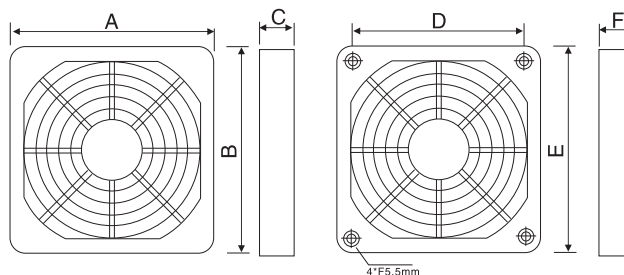


Size 尺寸(mm)	型号 Model	A	B	C	D	E	F
	YF-J110B-A	115	115	10	110	110	4.5

Technical requirement

1. Ventilation network material: Flame resistant ABS resin
2. Filter material: nylon fiber synthetic resin
3. Usage range: indoor $-10^{\circ}\text{C}\sim+55^{\circ}\text{C}$
4. Dust removal rate: 89%
5. Protection level: IP40

YF-J120B-A



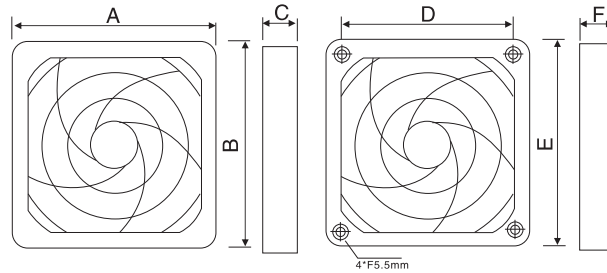
Size 尺寸(mm)	型号 Model	A	B	C	D	E	F
	YF-J120B-A	125	125	10	105	120	4.5

Technical requirement

1. Ventilation network material: Flame resistant ABS resin
2. Filter material: nylon fiber synthetic resin
3. Color: White/Black
4. Usage range: indoor $-10^{\circ}\text{C}\sim+55^{\circ}\text{C}$
5. Dust removal rate: 89%
6. Protection level: IP40



YF-J120BL-A

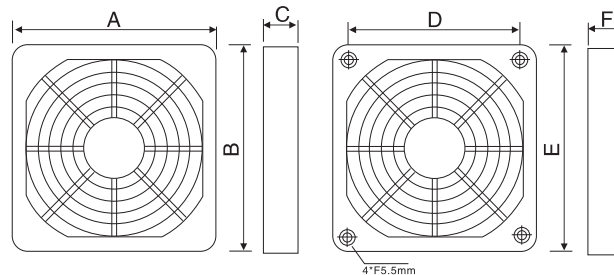


Technical requirement

1. Ventilation network material: Flame resistant ABS resin
2. Filter material: nylon fiber synthetic resin
3. Color: White/Black
4. Usage range: indoor-10°C~+55°C
5. Dust removal rate: 89%
6. Protection level: IP40

Size 尺寸(mm)	型号 Model	A	B	C	D	E	F
	YF-J120BL-A	125	125	10	105	120	4.5

YF-J120-R

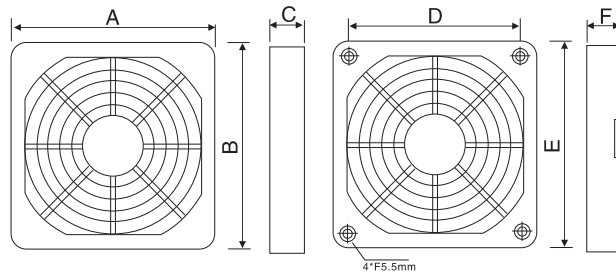


Technical requirement

1. Ventilation network material: Flame resistant ABS resin
2. Filter material: nylon fiber synthetic resin
3. Color: White/Black
4. Usage range: indoor-10°C~+55°C
5. Dust removal rate: 89%
6. Protection level: IP40

Size 尺寸(mm)	型号 Model	A	B	C	D	E	F
	YF-J120-R	125	125	10	105	120	4.5

YF-J135B-A (配13538)



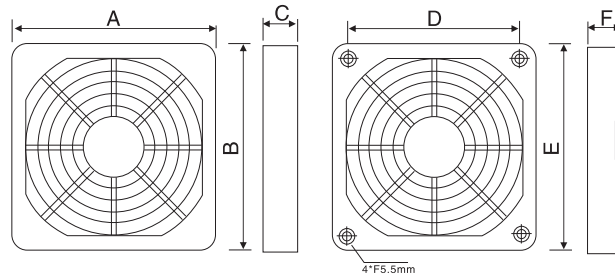
Technical requirement

1. Ventilation network material: Flame resistant ABS resin
2. Filter material: nylon fiber synthetic resin
3. Usage range: indoor -10°C~+55°C
4. Dust removal rate: 89%
5. Protection level: IP40

Size 尺寸(mm)	型号 Model	A	B	C	D	E	F
	YF-J135B-A	132	132	10	113	127	4.5

Three in one dust screen cover

YF-J150FB-A

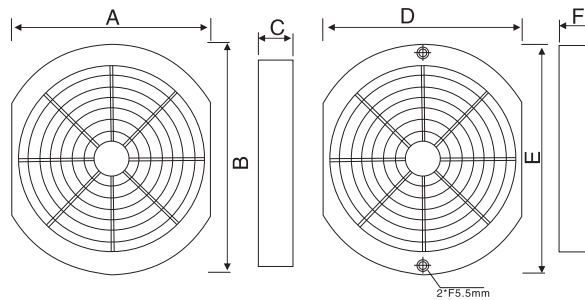


Size 尺寸(mm)	型号 Model	A	B	C	D	E	F
	YF-J150FB-A	155	155	10	122	150	4.5

Technical requirement

1. Ventilation network material: Flame resistant ABS resin
2. Filter material: nylon fiber synthetic resin
3. Usage range: indoor $-10^{\circ}\text{C}\sim+55^{\circ}\text{C}$
4. Dust removal rate: 89%
5. Protection level: IP40

YF-J150YB-A

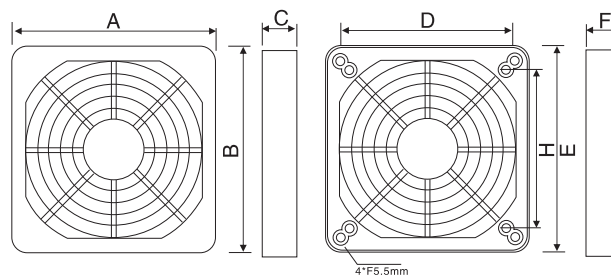
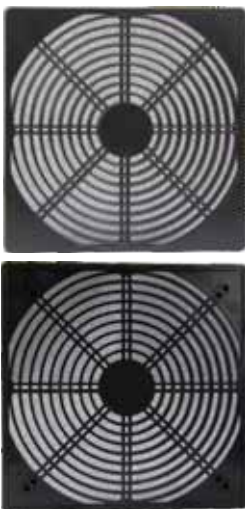


Size 尺寸(mm)	型号 Model	A	B	C	D	E	F
	YF-J150YB-A	155	177	10	150	162	4.5

Technical requirement

1. Ventilation network material: Flame resistant ABS resin
2. Filter material: nylon fiber synthetic resin
3. Usage range: indoor $-10^{\circ}\text{C}\sim+55^{\circ}\text{C}$
4. Dust removal rate: 89%
5. Protection level: IP40

YF-J200B-A(可配18060、20060)



Size 尺寸(mm)	型号 Model	A	B	C	D	E	F	H
	YF-200H(B)	206	206	10	166	200	4.5	155

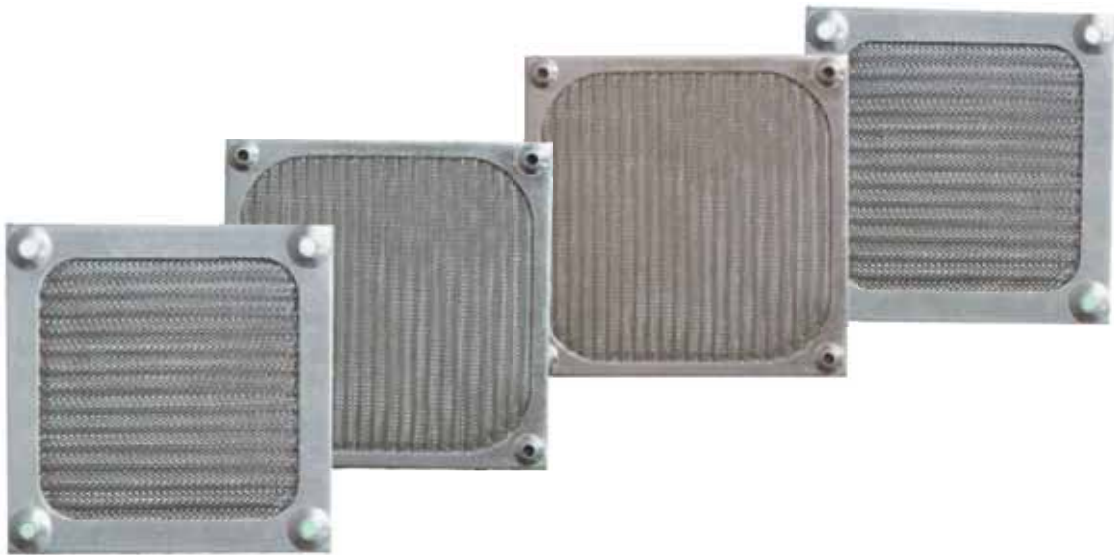
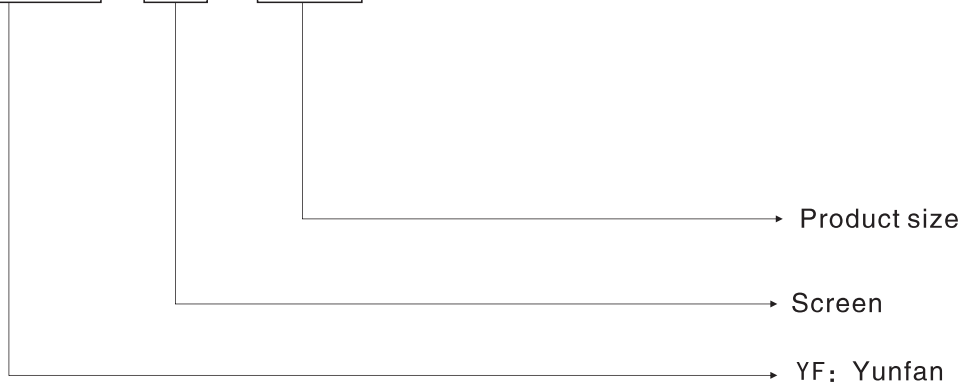
Technical requirement

1. Ventilation network material: Flame resistant ABS resin
2. Filter material: nylon fiber synthetic resin
3. Usage range: indoor $-10^{\circ}\text{C}\sim+55^{\circ}\text{C}$
4. Dust removal rate: 89%
5. Protection level: IP40

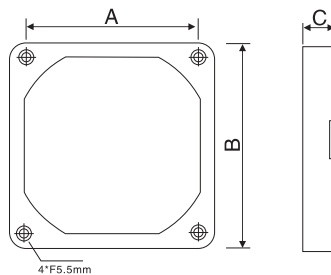
Metal shielding mesh

PART NUMBER CODE

YF - **G** - **80**



YF-G60

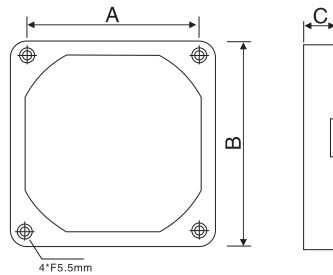


Technical requirement

Material of filter screen:304 stainless wire mesh, formed in one piece by using an accurate stamping mould,with fabulous shape and functions including heat resistance and corrosion resistance Dust removal rate:89%

Size 尺寸(mm)	型号 Model	A	B	C
YF-G60		50	60	3

YF-G80

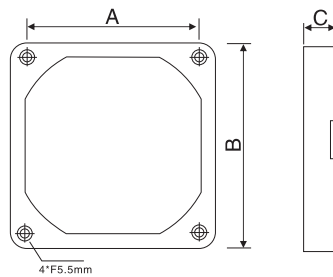


Technical requirement

Material of filter screen:304 stainless wire mesh, formed in one piece by using an accurate stamping mould,with fabulous shape and functions including heat resistance and corrosion resistance Dust removal rate:89%

Size 尺寸(mm)	型号 Model	A	B	C
YF-G80		71.5	80	3

YF-G92

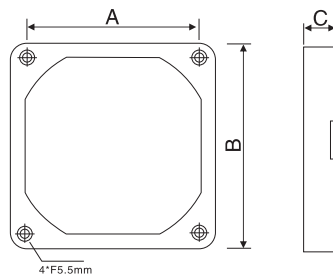


Technical requirement

Material of filter screen:304 stainless wire mesh, formed in one piece by using an accurate stamping mould,with fabulous shape and functions including heat resistance and corrosion resistance Dust removal rate:89%

Size 尺寸(mm)	型号 Model	A	B	C
YF-G92		82.5	92	3

YF-G120



Technical requirement

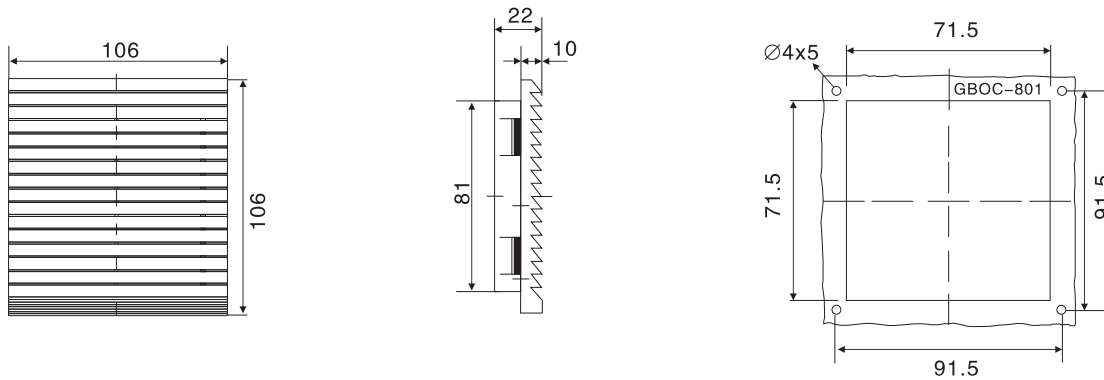
Material of filter screen:304 stainless wire mesh, formed in one piece by using an accurate stamping mould,with fabulous shape and functions including heat resistance and corrosion resistance Dust removal rate:89%

Size 尺寸(mm)	型号 Model	A	B	C
YF-G120		105	120	3

YF-801



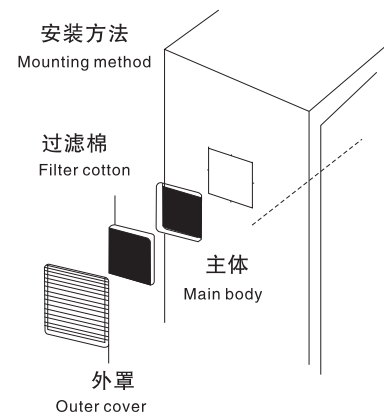
Size



Technical requirement

风扇及过滤器Fan and filter型号YF	801.230	801.115	801.024
设计工作电压 (V/Hz) Designed operating voltage	230.50/60	115.50/60	24
空气流量 自由吹风 Airflow, free wind	0.5/0.6m ³ /h(配YF 8038HA2 使用时)		
除尘率Dust removal rate	86%		
轴流风扇 Axial fan	自起屏蔽磁极电动 Automatically started shaded pole motor	直流电机 DC motor	
设计电流 (A) Electric current designed(A)	0.08/0.07	0.16/0.14	0.27
功率 (W) Power(W)	13/11	6.4	
噪音水平dB (A) Noise level dB(A)	36/38		
工作环境温度 Operating ambient temperature	-10℃ 至 +55℃		
颜色Colour	RAL7035		
防护等级 IP code	用标准过滤垫为IP44 Ip44 while using standard filter mat		
出口过滤器 型号 OC Outlet filter Model OC	9801.200		
配套风扇 Supporting fan	适用于 YF 8038HA2 使用 Applicable to YF8038HA2		

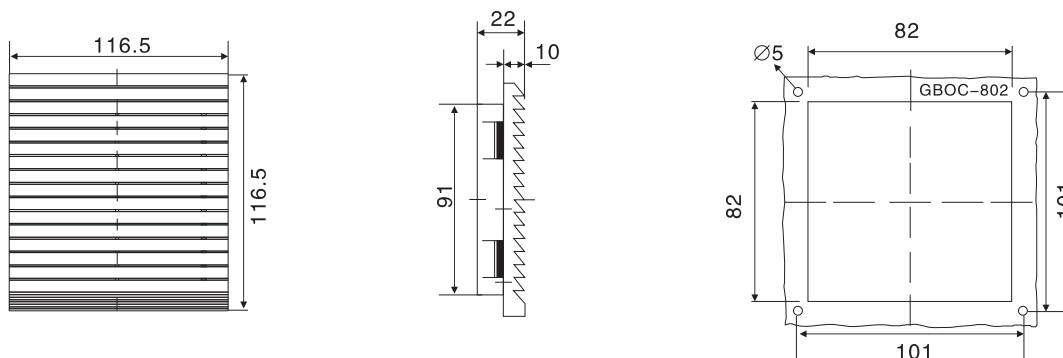
顶购颜色为RAL7032或其他色标形式时，请洽谈。如需特殊电压也可根据洽询提供，本公司保留技术改动权利。
Please consult with us when the colour ordered is RAL 7032 or others. Special voltage may be provided if necessary according to the inquiry. Jiulong all technical modification rights reserved.



YF-802

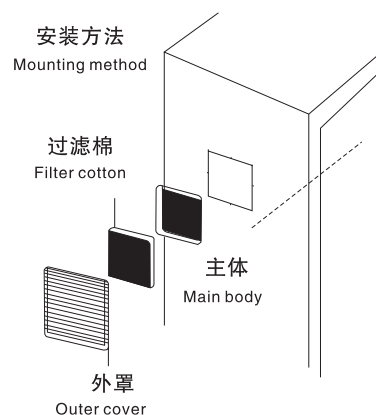


Size



Technical requirement

风扇及过滤器Fan and filter型号OC	802.230	802.115	802.024
设计工作电压 (V/Hz) Designed operating voltage	230.50/60	115.50/60	24
空气流量 自由吹风 Airflow, free wind	1.2/1.5 m ³ /h(配OC 9038HA2 使用时)		
除尘率Dust removal rate	86%		
轴流风扇 Axial fan	自起屏蔽磁极电动 Automatically started shaded pole motor	直流电机 DC motor	
设计电流 (A) Electric current designed(A)	0.07/0.06	0.12/0.15	0.38
功率 (W) Power(W)	16/17	9.1	
噪音水平dB (A) Noise level dB(A)	29/30		
工作环境温度 Operating ambient temperature	-10℃ 至+55℃		
颜色Colour	RAL7035		
防护等级 IP code	用表准过滤垫为IP44 Ip44 while using standard filter mat		
出口过滤器 型号 OC Outlet filter Model OC	9802.200		
配套风扇 Supporting fan	适用于OC 9038HA2 使用 Applicable to GB9038HA2		

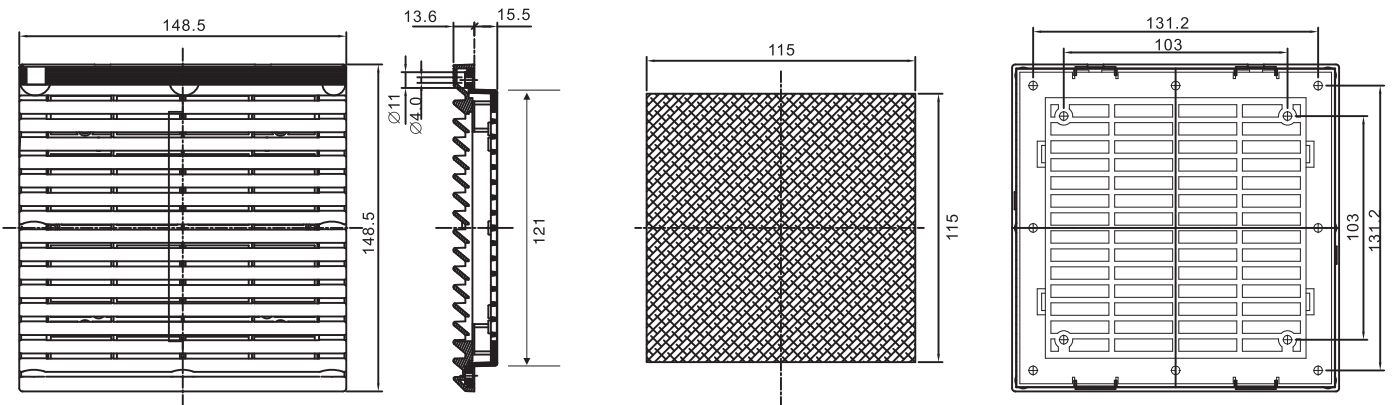


顶购颜色为RAL7032或其他色标形式时, 请洽谈。如需特殊电压也可根据咨询提供, 本公司保留技术改动权利。
Please consult with us when the colour ordered is RAL 7032 or others. Special voltage may be provided if necessary according to the inquiry. Jiulong all technical modification rights reserved.

YF-803



Size



Technical requirement

风扇及过滤器Fan and filter型号YF	803.230	803.115	803.024
设计工作电压 (V/Hz) Designed operating voltage	230.50/60	115.50/60	24
空气流量 自由吹风 Airflow, free wind	2.3/2.7 m ³ /h(配YF12038HA2 使用时)		
除尘率Dust removal rate	86%		
轴流风扇 Axial fan	自起屏蔽磁极电动 Automatically started shaded pole motor	直流电机 DC motor	
设计电流 (A) Electric current designed(A)	0.14/0.13	0.28/0.26	0.22
功率 (W) Power(W)	21/25	5.3	
噪音水平dB (A) Noise level dB(A)	47/49		
工作环境温度 Operating ambient temperature	-10℃ 至+55℃		
颜色Colour	RAL7035		
防护等级 IP code	用标准过滤垫为IP44 Ip44 while using standard filter mat		
出口过滤器 型号 YF Outlet filter Model YF	9803.200		
配套风扇Supporting fan	适用于YF 12038HA2 使用 Applicable to YF12038HA2		

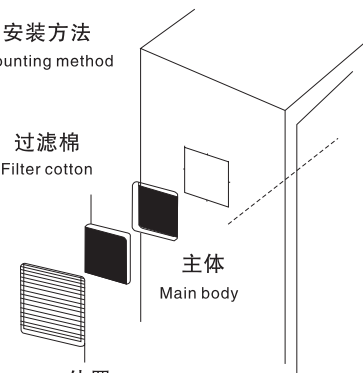
顶购颜色为RAL7032或其他色标形式时, 请洽谈。如需特殊电压也可根据洽询提供, 本公司保留技术改动权利。
Please consult with us when the colour ordered is RAL 7032 or others. Special voltage may be provided if necessary according to the inquiry. Jiulong all technical modification rights reserved.

安装方法 Mounting method

过滤棉
Filter cotton

外罩
Outer cover

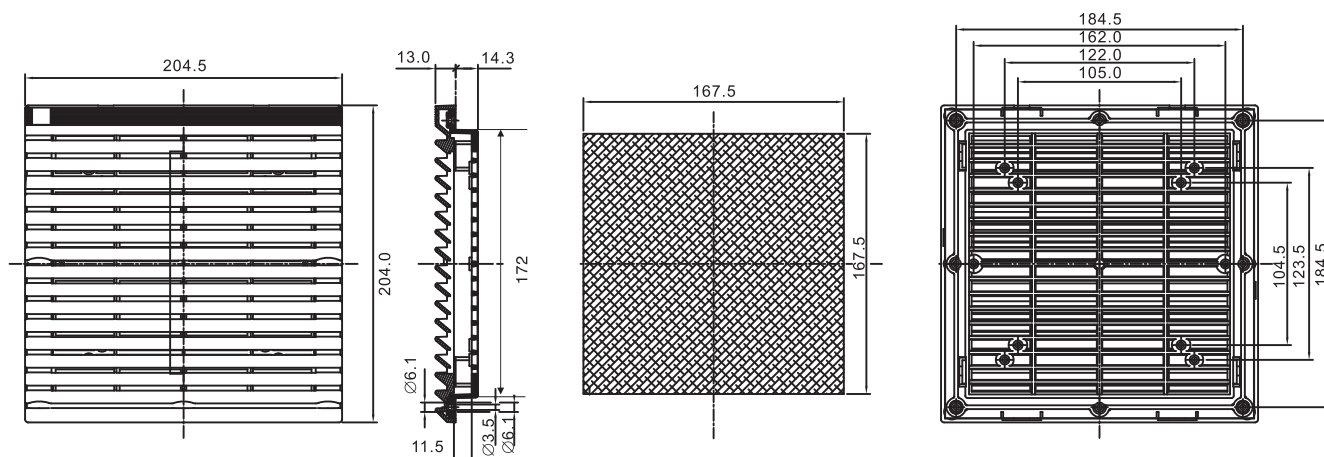
主体
Main body



YF-804

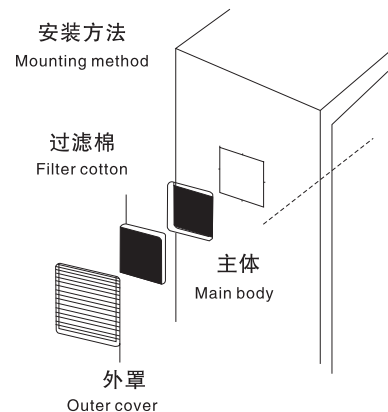


Size



Technical requirement

风扇及过滤器Fan and filter型号YF	804.230	804.115	804.024
设计工作电压 (V/Hz) Designed operating voltage	230.50/60	115.50/60	24
空气流量 自由吹风 Airflow, free wind	5 m ³ /h(配OC17250HA2 使用时)		
除尘率Dust removal rate	86%		
轴流风扇 Axial fan	自起动屏蔽磁极电动 Automatically started shaded pole motor	直流电机 DC motor	
设计电流 (A) Electric current designed(A)	0.25	0.5	0.5
功率 (W) Power(W)	38	5.3	
噪音水平dB (A) Noise leve dB(A)	55		
工作环境温度 Operating ambient temperature	-10℃ 至+55℃		
颜色Colour	RAL7035		
防护等级 IP code	用表准过滤垫为IP44 Ip44 while using standard filter mat		
出口过滤器 型号 YF Outlet filter Model YF	9804.200		
配套风扇Supporting fan	适用于 Applicable to YF12038HA2 17250HA2 15050HA2 使用		

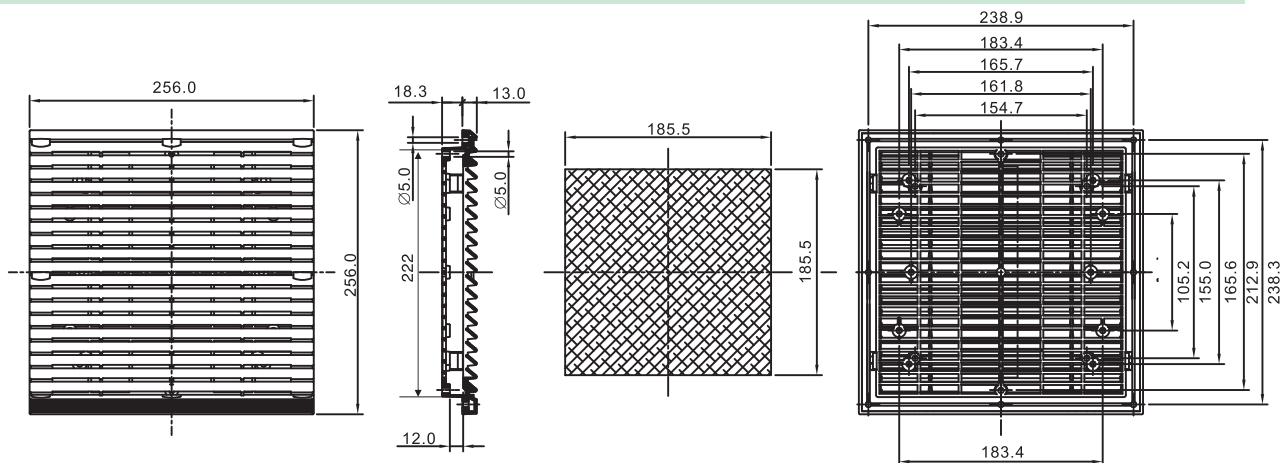


顶购颜色为RAL7032或其他色标形式时, 请洽谈。如需特殊电压也可根据洽询提供, 本公司保留技术改动权利。
Please consult with us when the colour ordered is RAL 7032 or others. Special voltage may be provided if necessary according to the inquiry. Jiulong all technical modification rights reserved.

YF-805

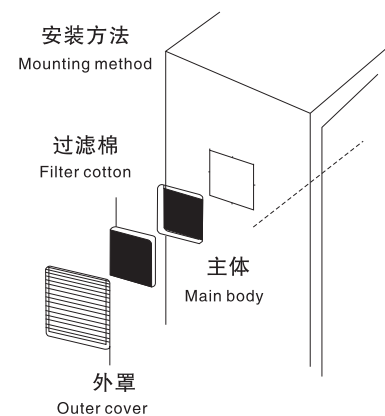


Size



Technical requirement

风扇及过滤器Fan and filter型号YF	805.230	805.115	805.024
设计工作电压 (V/Hz) Designed operating voltage	230.50/60	115.50/60	24
空气流量 自由吹风 Airflow,free wind	11 m ³ /h(配YF 22060HA2 使用时)		
除尘率Dust removal rate	86%		
轴流风扇 Axial fan	自启动屏蔽磁极电动 Automatically started shaded pole motor	直流电机 DC motor	
设计电流 (A) Electric current designed(A)	0.35	0.70	1.50
功率 (W) Power(W)	65	36	
噪音水平dB (A) Noise leve dB(A)	60		
工作环境温度 Operating ambient temperature	-10℃ 至+55℃		
颜色Colour	RAL7035		
防护等级 IP code	用表准过滤垫为IP44 Ip44 while using standard filter mat		
出口过滤器 型号 YF Outlet filter Model YF	9805.200		
配套风扇Supporting fan	适用于Applicable to YF17250HA2 YF18060HA2 YF22060HA YF20060HA2 使用		

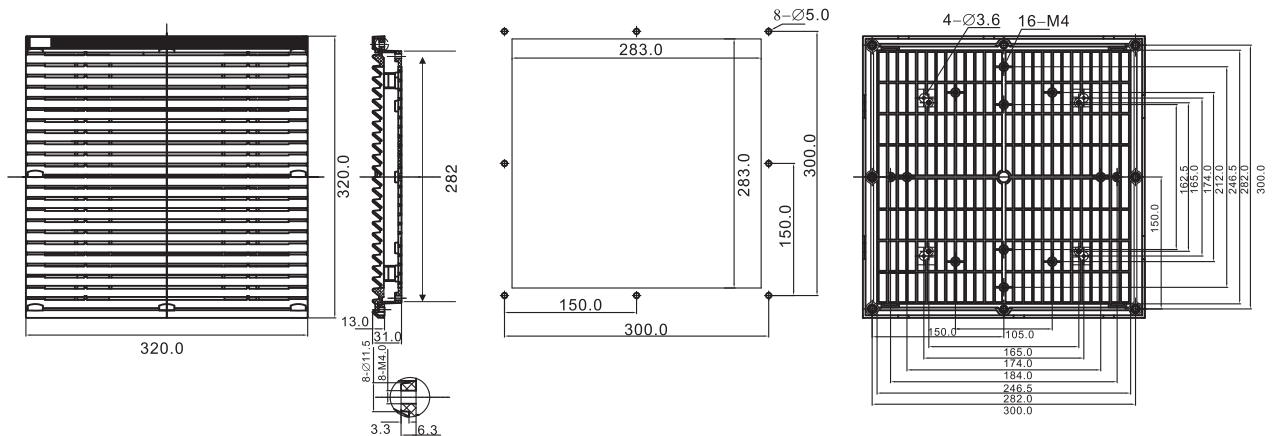


订购颜色为RAL7032或其他色标形式时, 请洽谈。如需特殊电压也可根据洽询提供, 本公司保留技术改动权利。
Please consult with us when the colour ordered is RAL 7032 or others. Special voltage may be provided if necessary according to the inquiry. Jiulong all technical modification rights reserved.

YF-806



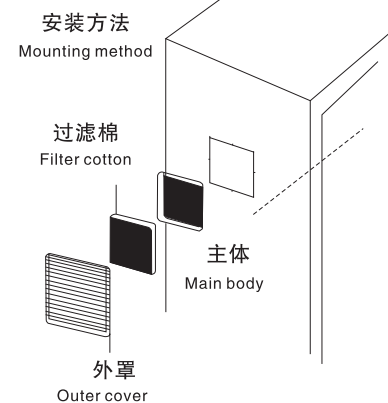
Size



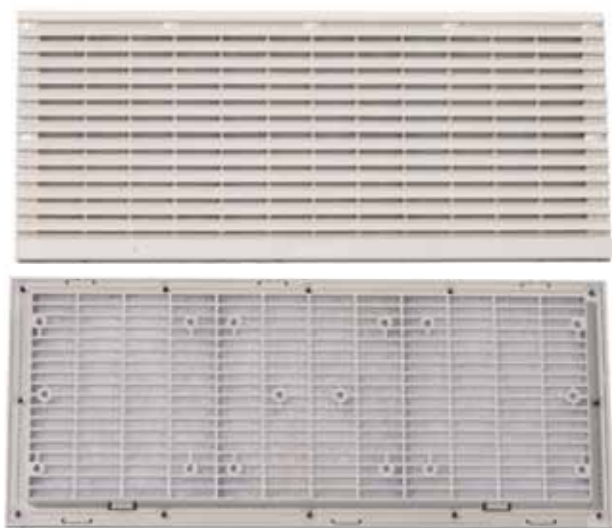
Technical requirement

风扇及过滤器Fan and filter型号YF	YF 806.230	806.115	806.024
设计工作电压 (V/Hz) Designed operating voltage	230.50/60	115.50/60	24
空气流量 自由吹风 Airflow, free wind	25 m ³ /h(配YF 25489HA2 使用时)		
除尘率Dust removal rate	86%		
轴流风扇 Axial fan	自启动屏蔽磁极电动 Automatically started shaded pole motor		直流电机 DC motor
设计电流 (A) Electric current designed(A)	0.45/0.60	1.0/1.1	2.10
功率 (W) Power(W)	70		57.6
噪音水平dB (A) Noise leve dB(A)	68		
工作环境温度 Operating ambient temperature	-10℃ 至+55℃		
颜色Colour	RAL7035		
防护等级 IP code	用标准过滤垫为IP44 Ip44 while using standard filter mat		
出口过滤器 型号 YF Outlet filter Model YF	9806.200		
配套风扇Supporting fan	适用于 Applicable to YF25489HA2 YF22060HA2 YF2207HB 使用		

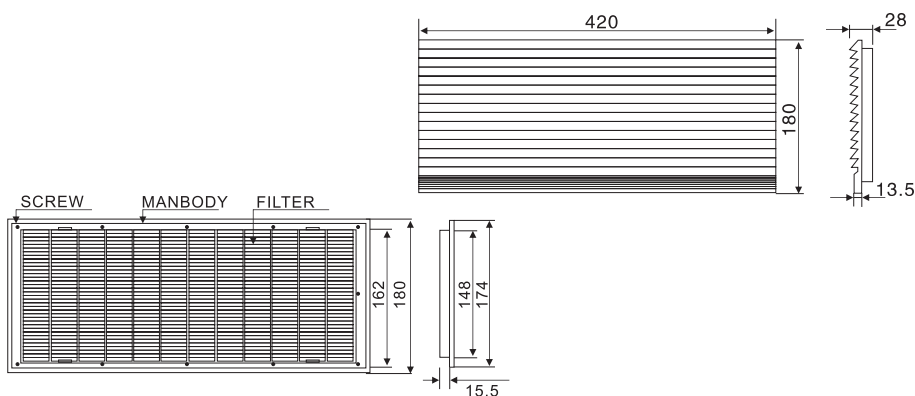
顶购颜色为RAL7032或其他色标形式时, 请洽谈。如需特殊电压也可根据洽询提供, 本公司保留技术改动权利。
Please consult with us when the colour ordered is RAL 7032 or others. Special voltage may be provided if necessary according to the inquiry. Jiulong all technical modification rights reserved.



YF-807

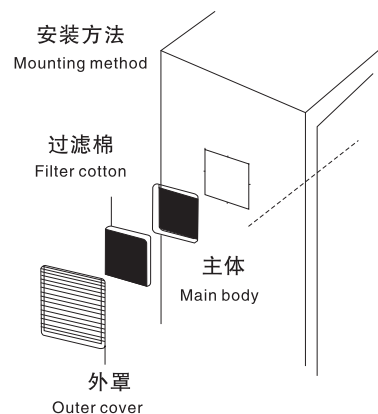


Size



Technical requirement

风扇及过滤器Fan and filter型号YF	807.230	807.115	807.024
设计工作电压 (V/Hz) Designed operating voltage	230.50/60	115.50/60	24
空气流量 自由吹风 Airflow, free wind	11 m ³ /h(配YF 22060HA2 使用时)		
除尘率Dust removal rate	86%		
轴流风扇 Axial fan	自起劲屏蔽磁极电动 Automatically started shaded pole motor	直流电机 DC motor	
设计电流 (A) Electric current designed(A)	0.35	0.70	1.50
功率 (W) Power(W)	65	36	
噪音水平dB (A) Noise leve dB(A)	60		
工作环境温度 Operating ambient temperature	-10℃ 至+55℃		
颜色Colour	RAL7035		
防护等级 IP code	用表准过滤垫为IP44 Ip44 while using standard filter mat		
出口过滤器 型号 YF Outlet filter Model YF	9807.200		
配套风扇Supporting fan	适用于Applicable to YF17250HA2 YF12038HA2 使用		



顶购颜色为RAL7032或其他色标形式时, 请洽谈。如需特殊电压也可根据洽询提供, 本公司保留技术改动权利。
Please consult with us when the colour ordered is RAL 7032 or others. Special voltage may be provided if necessary according to the inquiry. Jiulong all technical modification rights reserved.



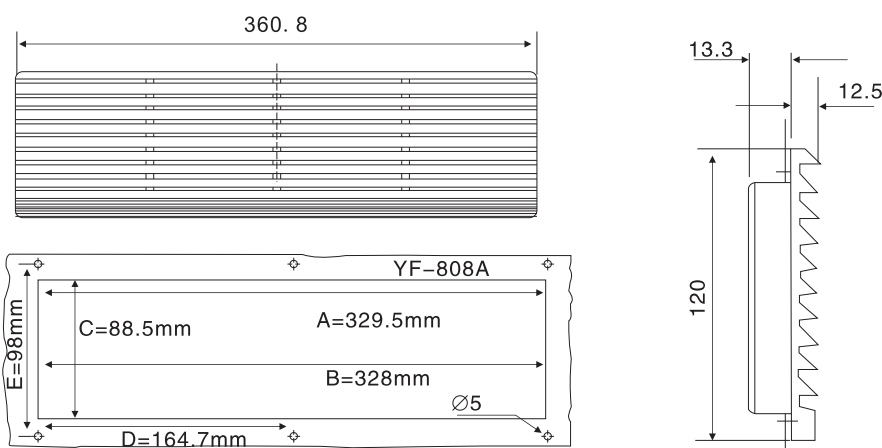
YUNFANPOWER

Window-shades

YF-808

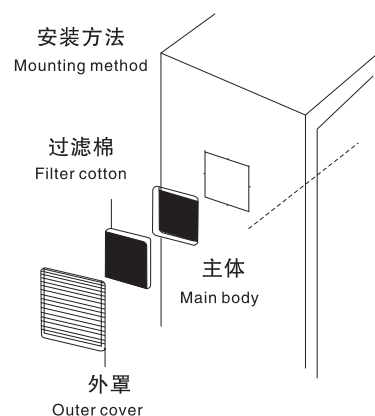


Size



Technical requirement

风扇及过滤器Fan and filter型号YF	YF 808.230	808.115	808.024
设计工作电压 (V/Hz) Designed operating voltage	230.50/60	115.50/60	24
空气流量 自由吹风 Airflow, free wind	25 m ³ /h(配YF 25489HA2 使用时)		
除尘率Dust removal rate	86%		
轴流风扇 Axial fan	自启动屏蔽磁极电动 Automatically started shaded pole motor	直流电机 DC motor	
设计电流 (A) Electric current designed(A)	0.45/0.60	1.0/1.1	2.10
功率 (W) Power(W)	70	57.6	
噪音水平dB (A) Noise leve dB(A)	68		
工作环境温度 Operating ambient temperature	-10℃ 至+55℃		
颜色Colour	RAL7035		
防护等级 IP code	用标准过滤垫为IP44 Ip44 while using standard filter mat		
出口过滤器 型号 YF Outlet filter Model YF	9808.200		
配套风扇Supporting fan	适用于 Applicable to YF25489HA2 YF22060HA2 YF2207HB 使用		



顶购颜色为RAL7032或其他色标形式时, 请洽谈。如需特殊电压也可根据洽询提供, 本公司保留技术改动权利。
Please consult with us when the colour ordered is RAL 7032 or others. Special voltage may be provided if necessary according to the inquiry. Jiulong all technical modification rights reserved.



YUNFANPOWER

SHENZHEN YUNFAN POWER CO., LIMITED

Address: No. 6 huangan south Rd, Junzibu, Guanlan, Longhua new district, Shenzhen, China. (518110)

Factory: No. 11 Yuxie Road, Qingxi Town, Dongguan City, Guangdong Province, China (523648)

Phone: 0086-13480187585 (Wechat / WhatsApp)

<http://www.yunfanpower.com>

<http://www.yunfanpower.en.alibaba.com>

Email: black@yunfanpower.com OR info@yunfanpower.com

Skype: blackvip1000