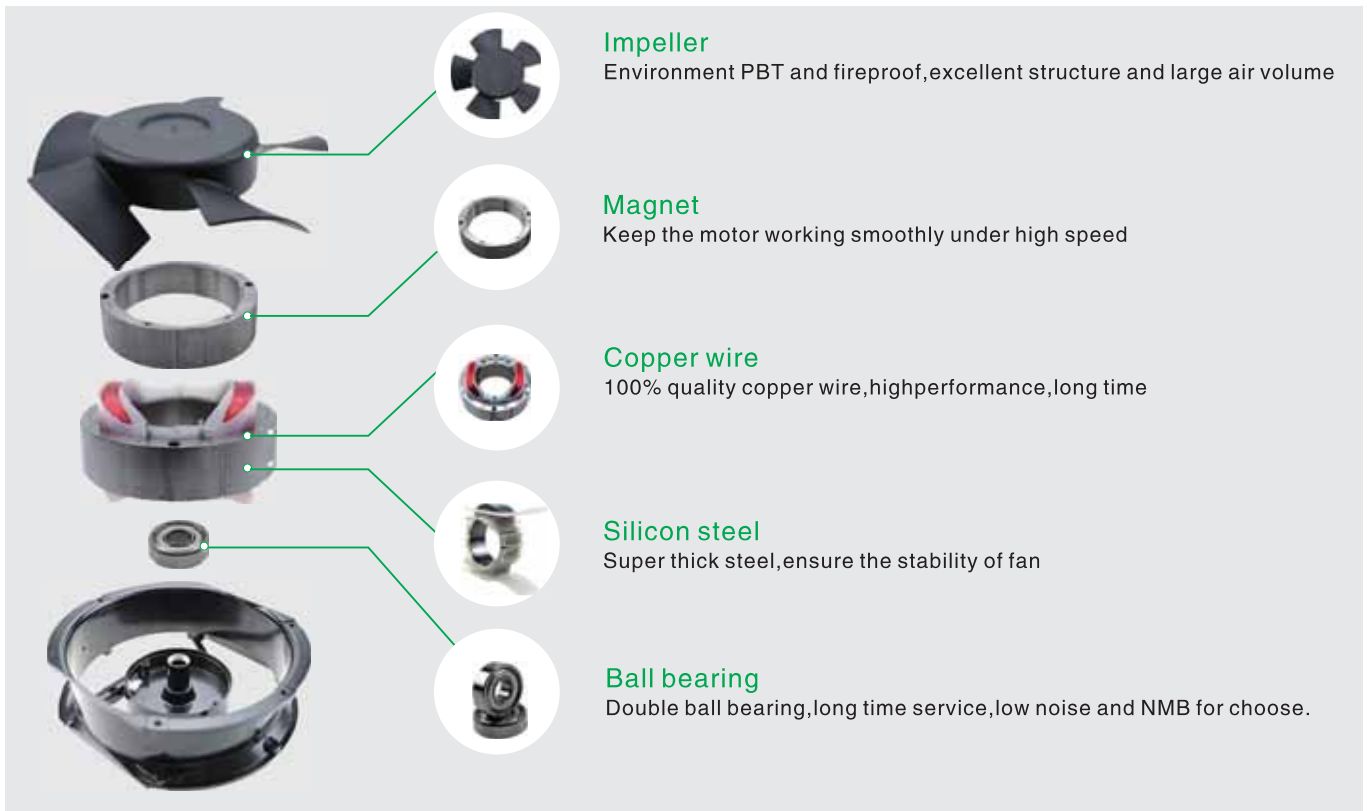


AC FAN Exploded View



Manufacturing Process



Step 1.Motor rolling



Step 2.Motor cooper connector



Step 3.Motor fixing



Step 4.Axis fixing



Step 5.Terminals connection



Step 6.Impeller/ball/spring



Step 7.Ring connection



Step 8.Test high voltage



Step 9.Test voltage/speed



Step 10.Label



Step 11.Package



Step 12.Shipment

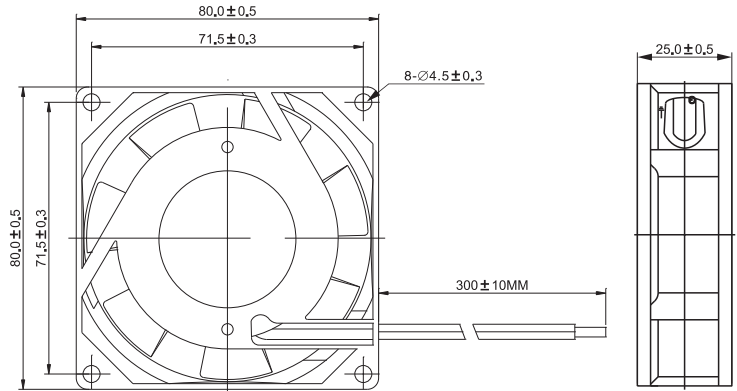
AC FAN



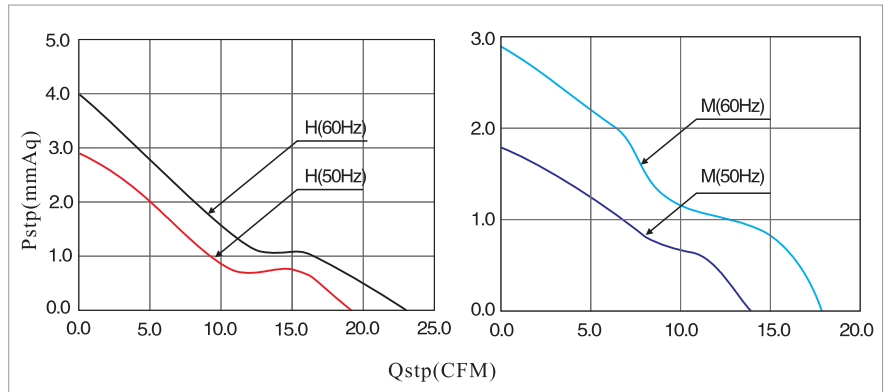
80x80x25mm



DIMENSIONS DRAWING



P&Q CURVE (AT RATED VOLTAGE)



AVAILABLE FUNCTIONS

1. Moto protection

AS



Model	Bearing	Rated Voltage	Startup Voltage	Freq.	Current	Speed	Air Flow		Static Pressure		Noise
Part NO.	System	VAC	VAC	Hz	A	RPM	M ³ /min	CFM	mmH ₂ O	INH ₂ O	dBA
YFA8025S1M	Sleeve	110	100-125	50/60	0.13/0.12	1700/2200	0.40/0.51	14/18	1.8/2.9	0.07/0.11	30/35
YFA8025S1H				50/60	0.11/0.10	2300/2700	0.54/0.65	19/23	2.9/4.0	0.11/0.16	36/38
YFA8025B1M	Ball			50/60	0.13/0.12	1700/2200	0.40/0.51	14/18	1.8/2.9	0.07/0.11	30/35
YFA8025B1H				50/60	0.11/0.10	2300/2700	0.54/0.65	19/23	2.9/4.0	0.11/0.16	36/38
YFA8025S2M	Sleeve	220	200-240	50/60	0.07/0.06	1700/2200	0.40/0.51	14/18	1.8/2.9	0.07/0.11	30/35
YFA8025S2H				50/60	0.06/0.05	2300/2700	0.54/0.65	19/23	2.9/4.0	0.11/0.16	36/38
YFA8025B2M	Ball			50/60	0.07/0.06	1700/2200	0.40/0.51	14/18	1.8/2.9	0.07/0.11	30/35
YFA8025B2H				50/60	0.06/0.05	2300/2700	0.54/0.65	19/23	2.9/4.0	0.11/0.16	36/38

Notes1: The catalog have detail information in the front page for the functions.

2: If you want another rpm or voltage or functions which one in the list, please contact with our sales.



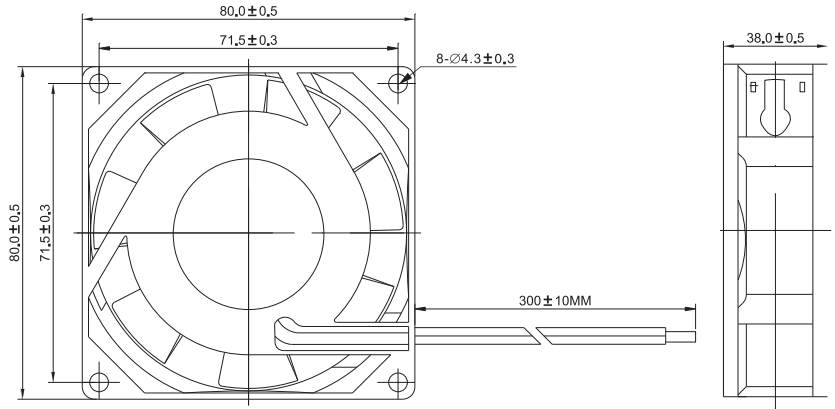
YUNFANPOWER

AC FAN

80x80x38mm



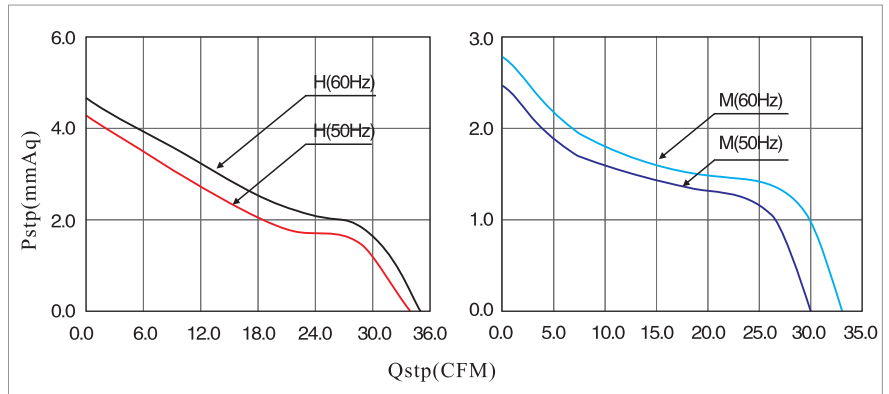
DIMENSIONS DRAWING



P&Q CURVE(AT RATEDVOLTAGE)

AVAILABLE FUNCTIONS

1. Moto protection
AS



Model	Bearing	Rated Voltage	Startup Voltage	Freq.	Current	Speed	Air Flow		Static Pressure		Noise
Part NO.	System	VAC	VAC	Hz	A	RPM	M ³ /min	CFM	mmH ₂ O	INH ₂ O	dBA
YFA8038S1M	Sleeve	110	100-125	50/60	0.11/0.10	2100/2300	0.85/0.93	30/33	2.5/2.8	0.10/0.11	28/30
YFA8038S1H				50/60	0.15/0.13	2600/2800	0.96/0.99	34/35	4.3/4.6	0.17/0.18	33/35
YFA8038B1M	Ball			50/60	0.11/0.10	2100/2300	0.85/0.93	30/33	2.5/2.8	0.10/0.11	28/30
YFA8038B1H				50/60	0.15/0.13	2600/2800	0.96/0.99	34/35	4.3/4.6	0.17/0.18	33/35
YFA8038S2M	Sleeve	220	200-240	50/60	0.06/0.05	2100/2300	0.85/0.93	30/33	2.5/2.8	0.10/0.11	28/30
YFA8038S2H				50/60	0.08/0.07	2600/2800	0.96/0.99	34/35	4.3/4.6	0.17/0.18	33/35
YFA8038B2M	Ball			50/60	0.06/0.05	2100/2300	0.85/0.93	30/33	2.5/2.8	0.10/0.11	28/30
YFA8038B2H				50/60	0.08/0.07	2600/2800	0.96/0.99	34/35	4.3/4.6	0.17/0.18	33/35

Notes1: The catalog have detail information in the front page for the functions.
2: If you want another rpm or voltage or functions which one in the list, please contact with our sales.



Shenzhen Yunfan Power Co. Limited

E-mail: info@yunfanpower.com

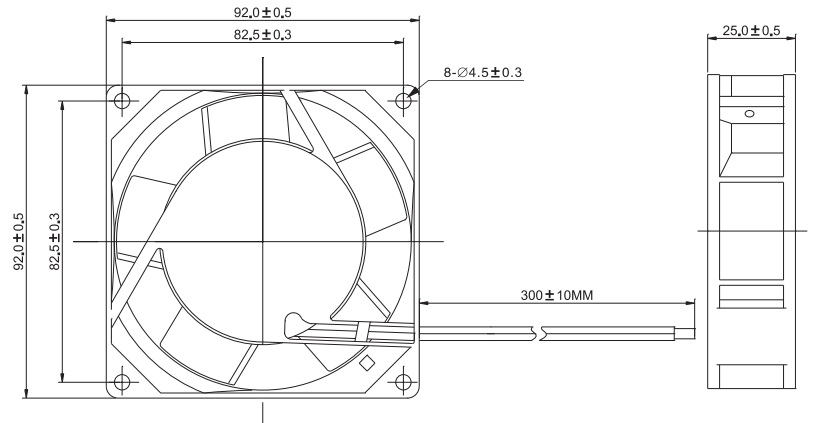
AC FAN



92x92x25mm



DIMENSIONS DRAWING

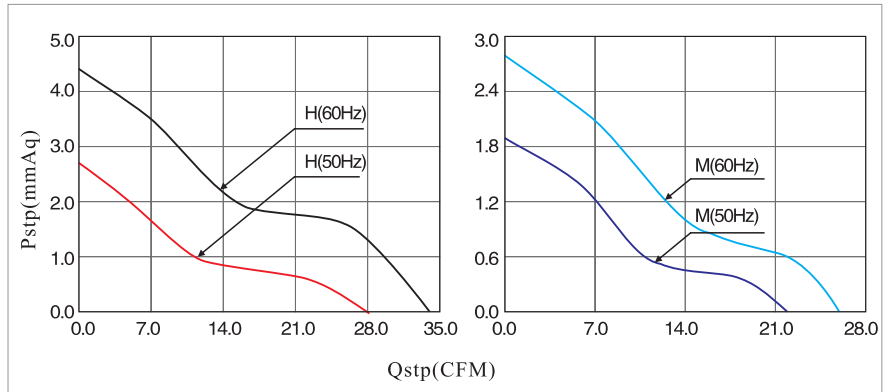


P&Q CURVE(AT RATEDVOLTAGE)

AVAILABLE FUNCTIONS

1. Moto protection

AS



Model	Bearing	Rated Voltage	Startup Voltage	Freq.	Current	Speed	Air Flow		Static Pressure		Noise
Part NO.	System	VAC	VAC	Hz	A	RPM	M ³ /min	CFM	mmH ₂ O	INH ₂ O	dBA
YFA9225S1M	Sleeve	110	100-125	50/60	0.14/0.13	1800/2300	0.62/0.74	22/26	1.9/2.8	0.07/0.11	28/35
YFA9225S1H				50/60	0.12/0.11	2300/2800	0.79/0.96	28/34	2.7/4.4	0.11/0.17	34/40
YFA9225B1M	Ball			50/60	0.14/0.13	1800/2300	0.62/0.74	22/26	1.9/2.8	0.07/0.11	28/35
YFA9225B1H				50/60	0.12/0.11	2300/2800	0.79/0.96	28/34	2.7/4.4	0.11/0.17	34/40
YFA9225S2M	Sleeve	220	200-240	50/60	0.08/0.07	1800/2300	0.62/0.74	22/26	1.9/2.8	0.07/0.11	28/35
YFA9225S2H				50/60	0.07/0.06	2300/2800	0.79/0.96	28/34	2.7/4.4	0.11/0.17	34/40
YFA9225B2M	Ball			50/60	0.08/0.07	1800/2300	0.62/0.74	22/26	1.9/2.8	0.07/0.11	28/35
YFA9225B2H				50/60	0.07/0.06	2300/2800	0.79/0.96	28/34	2.7/4.4	0.11/0.17	34/40

Notes1: The catalog have detail information in the front page for the functions.

2: If you want another rpm or voltage or functions which one in the list, please contact with our sales.

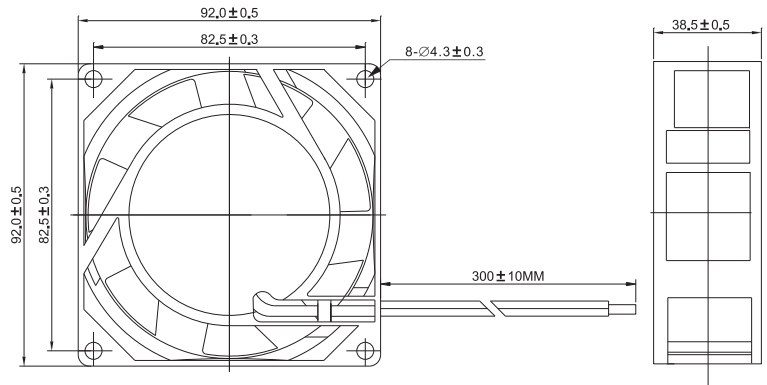


YUNFANPOWER

AC FAN

92x92x38mm

DIMENSIONS DRAWING

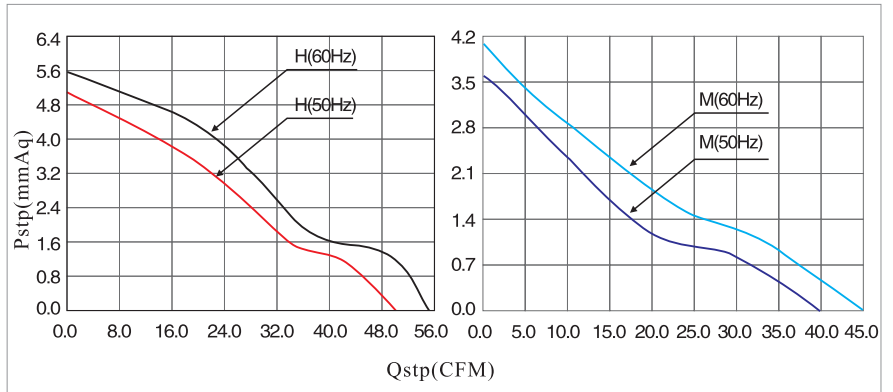


P&Q CURVE(AT RATEDVOLTAGE)

AVAILABLE FUNCTIONS

1. Moto protection

AS



Model	Bearing	Rated Voltage	Startup Voltage	Freq.	Current	Speed	Air Flow		Static Pressure		Noise
Part NO.	System	VAC	VAC	Hz	A	RPM	M ³ /min	CFM	mmH ₂ O	INH ₂ O	dBA
YFA9238S1M	Sleeve	110	100-125	50/60	0.12/0.10	2000/2200	1.13/1.27	40/45	3.6/4.1	0.14/0.16	34/36
YFA9238S1H			100-125	50/60	0.16/0.14	2500/2700	1.42/1.56	50/55	5.1/5.6	0.20/0.22	39/41
YFA9238B1M	Ball		100-125	50/60	0.12/0.10	2000/2200	1.13/1.27	40/45	3.6/4.1	0.14/0.16	34/36
YFA9238B1H			100-125	50/60	0.16/0.14	2500/2700	1.42/1.56	50/55	5.1/5.6	0.20/0.22	39/41
YFA9238S2M	Sleeve	220	200-240	50/60	0.06/0.05	2000/2200	1.13/1.27	40/45	3.6/4.1	0.14/0.16	34/36
YFA9238S2H			200-240	50/60	0.08/0.07	2500/2700	1.42/1.56	50/55	5.1/5.6	0.20/0.22	39/41
YFA9238B2M	Ball		200-240	50/60	0.06/0.05	2000/2200	1.13/1.27	40/45	3.6/4.1	0.14/0.16	34/36
YFA9238B2H			200-240	50/60	0.08/0.07	2500/2700	1.42/1.56	50/55	5.1/5.6	0.20/0.22	39/41

Notes1: The catalog have detail information in the front page for the functions.

2: If you want another rpm or voltage or functions which one in the list, please contact with our sales.



Shenzhen Yunfan Power Co.Limited

E-mail: info@yunfanpower.com

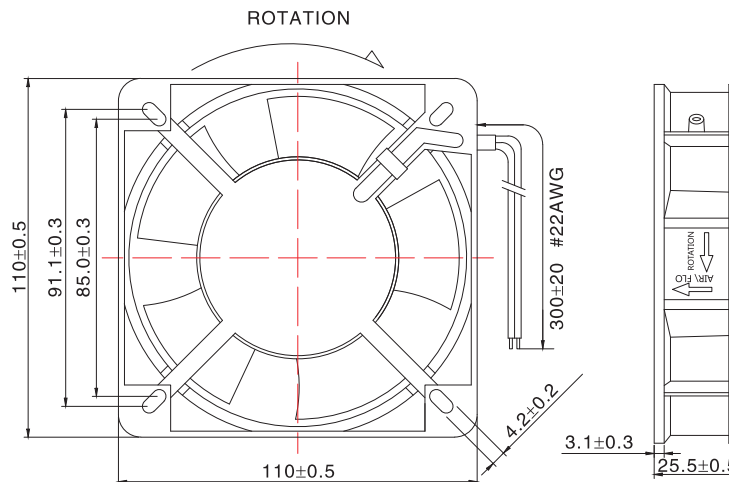


YUNFANPOWER

AC FAN

110X110x25mm

DIMENSIONS DRAWING

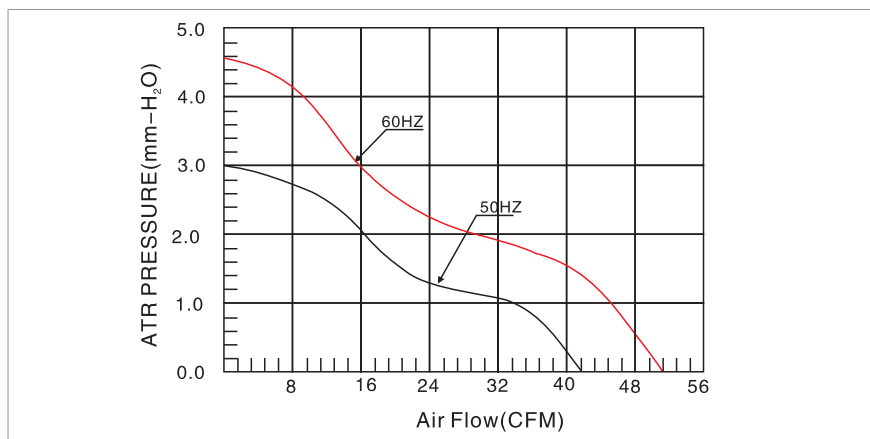


P&Q CURVE (AT RATED VOLTAGE)

AVAILABLE FUNCTIONS

1. Moto protection

AS



Model	Bearing	Rated Voltage	Startup Voltage	Freq.	Current	Speed	Air Flow		Static Pressure		Noise
Part NO.	System	VAC	VAC	Hz	A	RPM	M ³ /min	CFM	mmH ₂ O	INH ₂ O	dBA
YFA11025S1M	Sleeve	110	100-125	50/60	0.15/0.14	1800/2000	1.20/1.41	42/50	3.45/4.70	0.13/0.18	36/38
YFA11025B1H	Ball		100-125	50/60	0.15/0.14	1850/2050	1.20/1.48	42/52	3.50/4.76	0.14/0.19	36/38
YFA11025S2M	Sleeve	220	200-240	50/60	0.11/0.09	1800/2000	1.20/1.48	42/52	3.05/4.57	0.12/0.18	36/38
YFA11025B2H	Ball		200-240	50/60	0.11/0.09	1850/2050	1.20/1.48	42/52	3.55/4.82	0.15/0.20	36/38

Notes1: The catalog have detail information in the front page for the functions.

2: If you want another rpm or voltage or functions which one in the list, please contact with our sales.



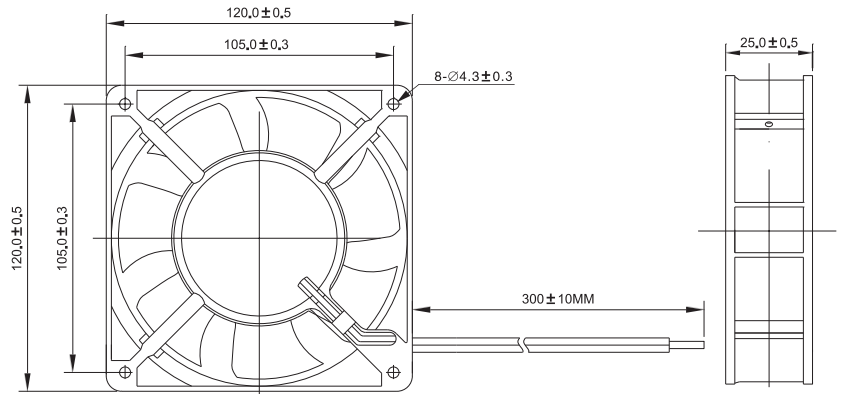
YUNFANPOWER

AC FAN

120x120x25mm



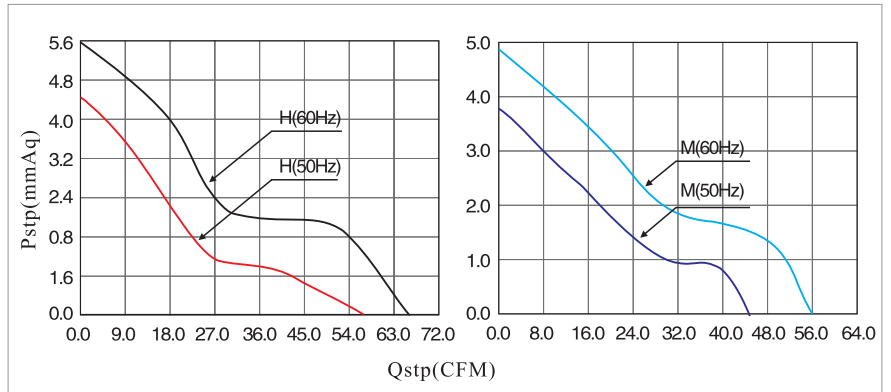
DIMENSIONS DRAWING



P&Q CURVE (AT RATED VOLTAGE)

AVAILABLE FUNCTIONS

- 1. Moto protection
- AS**



Model	Bearing	Rated Voltage	Startup Voltage	Freq.	Current	Speed	Air Flow	Static Pressure	Noise	
Part NO.	System	VAC	VAC	Hz	A	RPM	M ³ /min CFM	mmH ₂ O INH ₂ O	dBA	
YFA12025S1M	Sleeve	110	100-125	50/60	0.16/0.15	1800/2300	1.27/1.58 45/56	3.8/4.9	0.15/0.19	31/36
YFA12025S1H			100-125	50/60	0.25/0.24	2300/2700	1.61/1.87 57/66	4.5/5.6	0.18/0.22	39/44
YFA12025B1M	Ball		100-125	50/60	0.16/0.15	1800/2300	1.27/1.58 45/56	3.8/4.9	0.15/0.19	31/36
YFA12025B1H			100-125	50/60	0.25/0.24	2300/2700	1.61/1.87 57/66	4.5/5.6	0.18/0.22	39/44
YFA12025S2M	Sleeve	220	200-240	50/60	0.08/0.07	1800/2300	1.27/1.58 45/56	3.8/4.9	0.15/0.19	31/36
YFA12025S2H			200-240	50/60	0.13/0.12	2300/2700	1.61/1.87 57/66	4.5/5.6	0.18/0.22	39/44
YFA12025B2M	Ball		200-240	50/60	0.08/0.07	1800/2300	1.27/1.58 45/56	3.8/4.9	0.15/0.19	31/36
YFA12025B2H			200-240	50/60	0.13/0.12	2300/2700	1.61/1.87 57/66	4.5/5.6	0.18/0.22	39/44

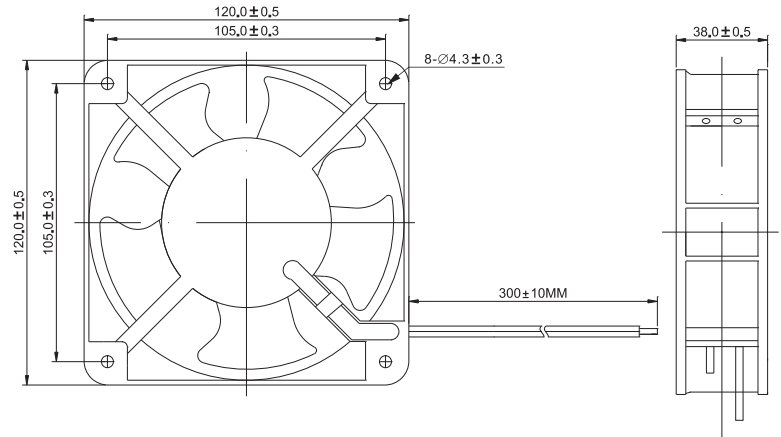
Notes1: The catalog have detail information in the front page for the functions.
 2: If you want another rpm or voltage or functions which one in the list, please contact with our sales.

AC FAN



120x120x38mm

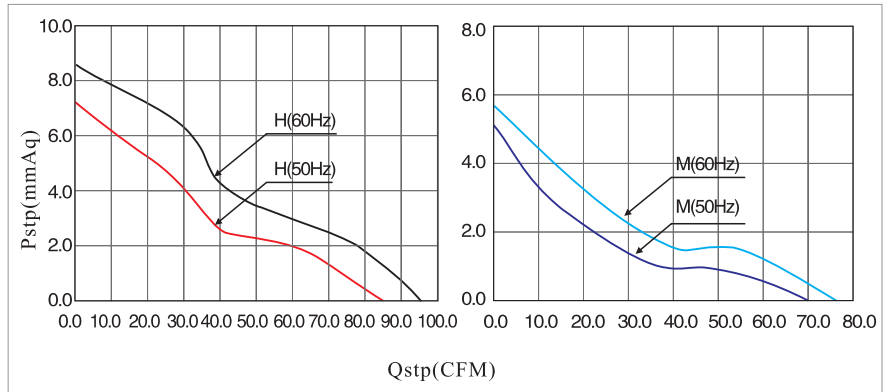
DIMENSIONS DRAWING



P&Q CURVE (AT RATED VOLTAGE)

AVAILABLE FUNCTIONS

- 1. Moto protection
- AS**



Model	Bearing	Rated Voltage	Startup Voltage	Freq.	Current	Speed	Air Flow		Static Pressure		Noise
Part NO.	System	VAC	VAC	Hz	A	RPM	M ³ /min	CFM	mmH ₂ O	INH ₂ O	dBA
YFA12038S1M	Sleeve	110	100-125	50/60	0.17/0.15	2400/2200	2.15/2.01	76/71	5.7/5.1	0.22/0.20	37/35
YFA12038S1H				50/60	0.22/0.18	2500/2800	2.41/2.72	85/96	7.2/8.6	0.28/0.34	40/45
YFA12038B1M	Ball			50/60	0.17/0.15	2400/2200	2.15/2.01	76/71	5.7/5.1	0.22/0.20	37/35
YFA12038B1H				50/60	0.22/0.18	2500/2800	2.41/2.72	85/96	7.2/8.6	0.28/0.34	40/45
YFA12038S2M	Sleeve	220	200-240	50/60	0.09/0.08	2400/2200	2.15/2.01	76/71	5.7/5.1	0.22/0.20	37/35
YFA12038S2H				50/60	0.12/0.11	2500/2800	2.41/2.72	85/96	7.2/8.6	0.28/0.34	40/45
YFA12038B2M	Ball			50/60	0.09/0.08	2400/2200	2.15/2.01	76/71	5.7/5.1	0.22/0.20	37/35
YFA12038B2H				50/60	0.12/0.11	2500/2800	2.41/2.72	85/96	7.2/8.6	0.28/0.34	40/45

Notes1: The catalog have detail information in the front page for the functions.
 2: If you want another rpm or voltage or functions which one in the list, please contact with our sales.



YUNFANPOWER

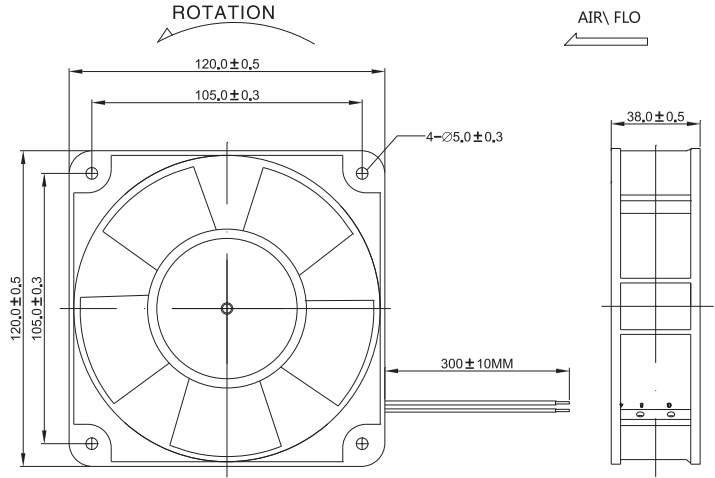
AC FAN

120X120x38mm

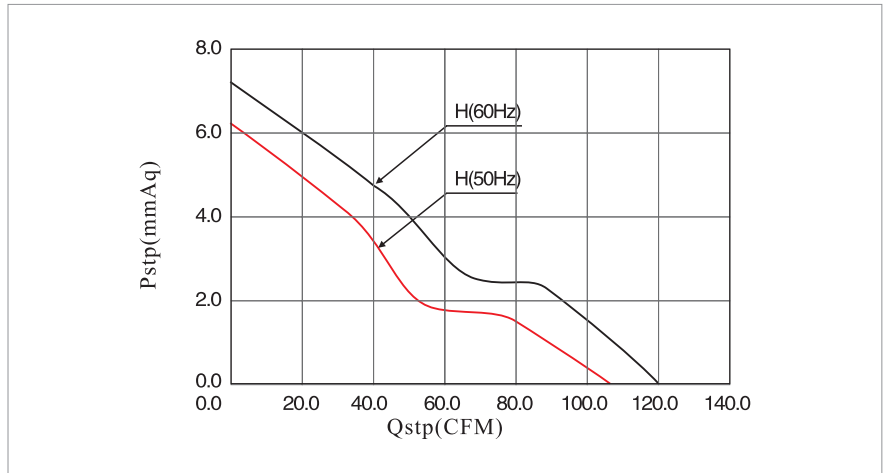
Metal frame + Metal impeller



DIMENSIONS DRAWING



P&Q CURVE (AT RATED VOLTAGE)



AVAILABLE FUNCTIONS

1. Moto protection
AS



Model		Bearing	Rated Voltage	Startup Voltage	Freq.	Current	Speed	Air Flow		Static Pressure		Noise
Part NO.	Function	System	VAC	VAC	Hz	A	RPM	M ³ /min	CFM	mmH ₂ O	INH ₂ O	dBA
YFA12038HF-1	W/T	Ball	110	100-125	50/60	0.25/0.21	2600/3000	3.00/3.40	106/120	6.2/7.2	0.24/0.28	46/50
YFA12038HF-1	W/T	Ball	220	200-240	50/60	0.14/0.12	2600/3000	3.00/3.40	106/120	6.2/7.2	0.24/0.28	46/50

Notes1: The catalog have detail information in the front page for the functions.

2: If you want another rpm or voltage or functions which one in the list, please contact with our sales.



Shenzhen Yunfan Power Co.Limited

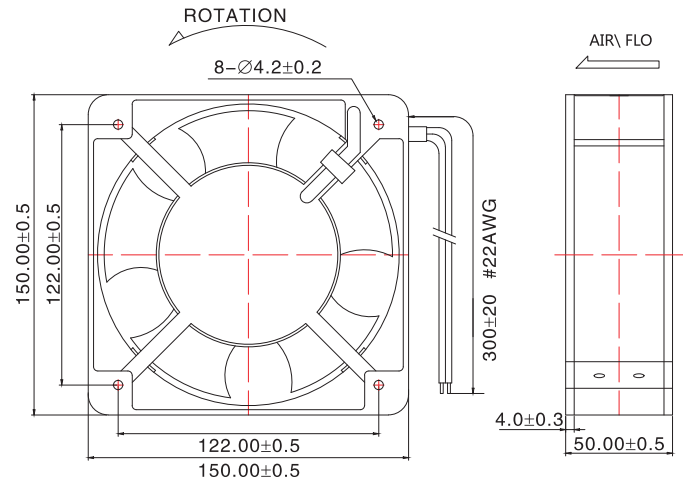
E-mail: info@yunfanpower.com

AC FAN

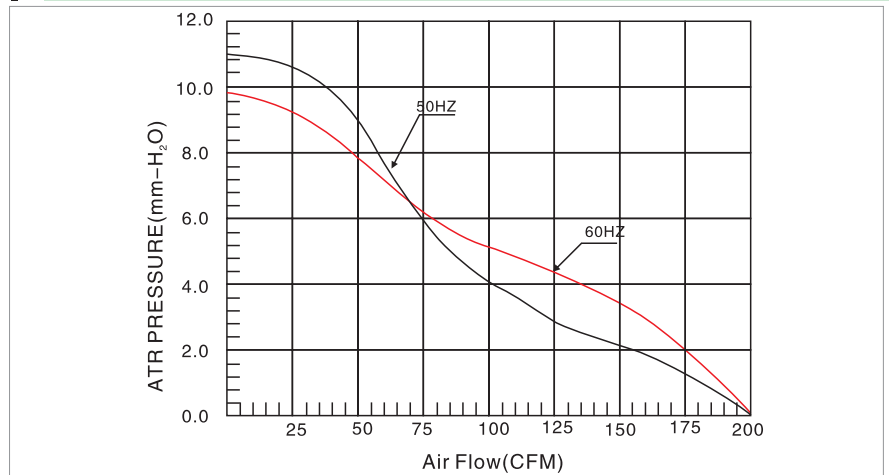
150X150x51mm



DIMENSIONS DRAWING



P&Q CURVE(AT RATEDVOLTAGE)



AVAILABLE FUNCTIONS

1. Moto protection
AS



Model	Bearing	Rated Voltage	Startup Voltage	Freq.	Current	Speed	Air Flow		Static Pressure		Noise
Part NO.	System	VAC	VAC	Hz	A	RPM	M ³ /min	CFM	mmH ₂ O	INH ₂ O	dBA
YFA15050S1L	Sleeve	110	100-125	50/60	0.63/0.53	2500/2800	5.28/6.00	185/210	11.1/9.6	0.44/0.38	51/56
YFA15050B1L	Ball					2600/2950	5.71/6.00	200/210	11.5/9.8	0.45/0.39	52/56
YFA15050S2L	Sleeve	220	200-240	50/60	0.25/0.22	2500/2500	5.28/5.28	185/185	11.1/9.0	0.44/0.35	51/51
YFA15050B2L	Ball					2600/2600	5.71/5.71	200/200	11.5/9.3	0.45/0.37	52/52
YFA15050S3L	Sleeve	380	360-420	50/60	0.14/0.13	2600/2550	5.71/5.42	200/190	11.5/9.3	0.45/0.37	52/51
YFA15050B3L	Ball					2600/2550	5.71/5.42	200/190	11.5/9.3	0.45/0.37	52/51

Notes1: The catalog have detail information in the front page for the functions.

2: If you want another rpm or voltage or functions which one in the list, please contact with our sales.

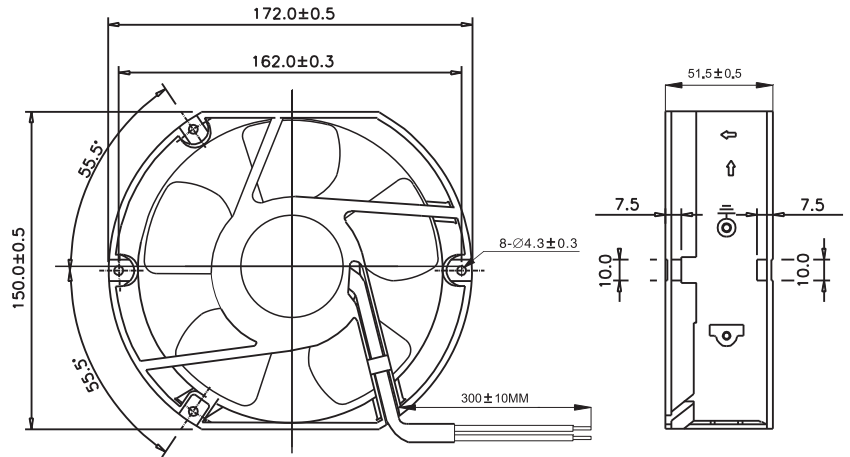


YUNFANPOWER

AC FAN

172x150x51mm

DIMENSIONS DRAWING

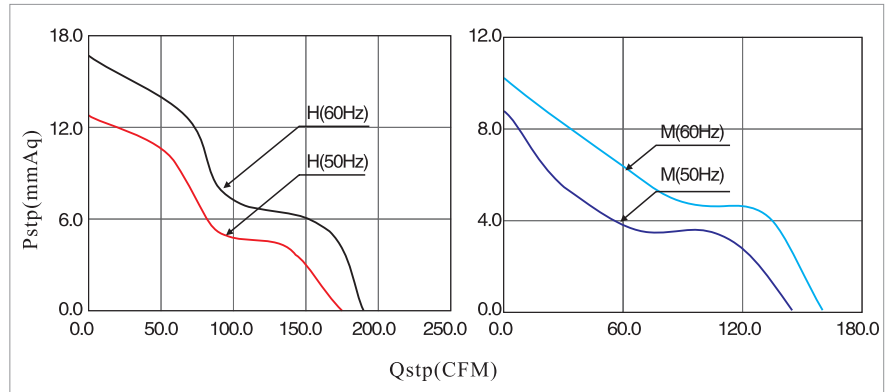


P&Q CURVE (AT RATED VOLTAGE)

AVAILABLE FUNCTIONS

1. Moto protection

AS



Model	Bearing	Rated Voltage	Startup Voltage	Freq.	Current	Speed	Air Flow		Static Pressure		Noise
Part NO.	System	VAC	VAC	Hz	A	RPM	M ³ /min	CFM	mmH ₂ O	INH ₂ O	dBA
YFA17251S1M	Sleeve	110	100-125	50/60	0.40/0.37	2000/2300	4.10/4.53	145/160	8.9/10.2	0.35/0.40	46/49
YFA17251S1H				50/60	0.51/0.47	2500/2800	4.95/5.38	175/190	12.7/16.5	0.50/0.65	55/60
YFA17251B1M	Ball			50/60	0.40/0.37	2000/2300	4.10/4.53	145/160	8.9/10.2	0.35/0.40	46/49
YFA17251B1H				50/60	0.51/0.47	2500/2800	4.95/5.38	175/190	12.7/16.5	0.50/0.65	55/60
YFA17251S2M	Sleeve	220	200-240	50/60	0.21/0.19	2000/2300	4.10/4.53	145/160	8.9/10.2	0.35/0.40	46/49
YFA17251S2H				50/60	0.26/0.24	2500/2800	4.95/5.38	175/190	12.7/16.5	0.50/0.65	55/60
YFA17251B2M	Ball			50/60	0.21/0.19	2000/2300	4.10/4.53	145/160	8.9/10.2	0.35/0.40	46/49
YFA17251B2H				50/60	0.26/0.24	2500/2800	4.95/5.38	175/190	12.7/16.5	0.50/0.65	55/60

Notes1: The catalog have detail information in the front page for the functions.

2: If you want another rpm or voltage or functions which one in the list, please contact with our sales.



Shenzhen Yunfan Power Co. Limited

E-mail: info@yunfanpower.com

AC FAN

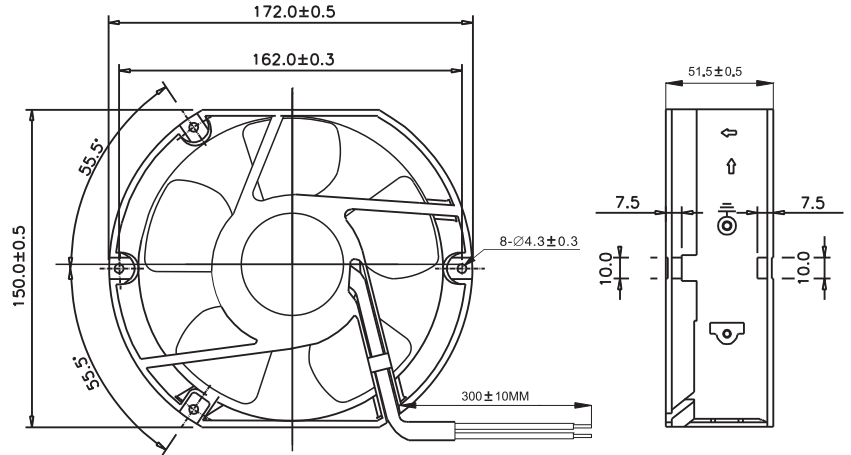


172x150x51mm

Metal frame + Metal impeller



DIMENSIONS DRAWING

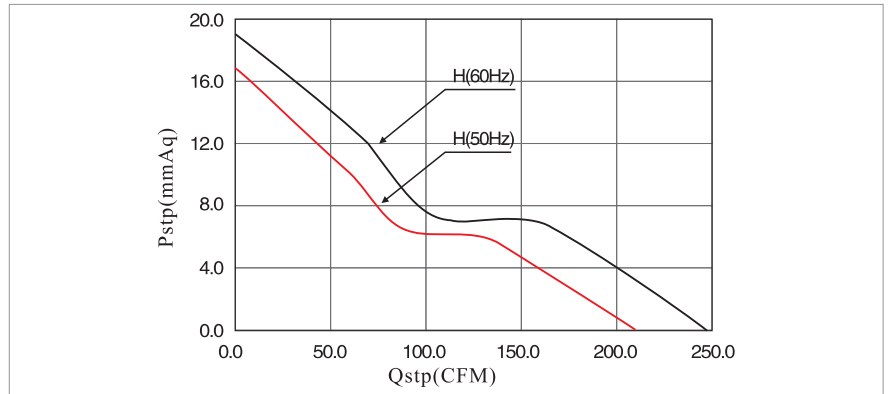


P&Q CURVE (AT RATED VOLTAGE)

AVAILABLE FUNCTIONS

1. Moto protection

AS



Model		Bearing	Rated Voltage	Startup Voltage	Freq.	Current	Speed	Air Flow		Static Pressure		Noise
Part NO.	Function	System	VAC	VAC	Hz	A	RPM	M ³ /min	CFM	mmH ₂ O	INH ₂ O	dBA
YFA17251B1H	W/T	Ball	110	100-125	50/60	0.38/0.34	2700/3200	5.94/6.99	210/247	17.0/19.1	0.67/0.75	54/57
YFA17251B1H	W/T	Ball	220	200-240	50/60	0.13/0.15	2700/3200	5.94/6.99	210/247	17.0/19.1	0.67/0.75	54/57

Notes1: The catalog have detail information in the front page for the functions.

2: If you want another rpm or voltage or functions which one in the list, please contact with our sales.

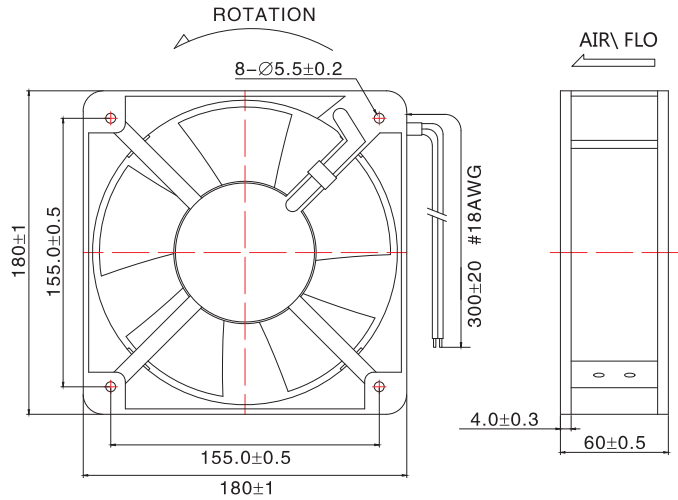


YUNFANPOWER

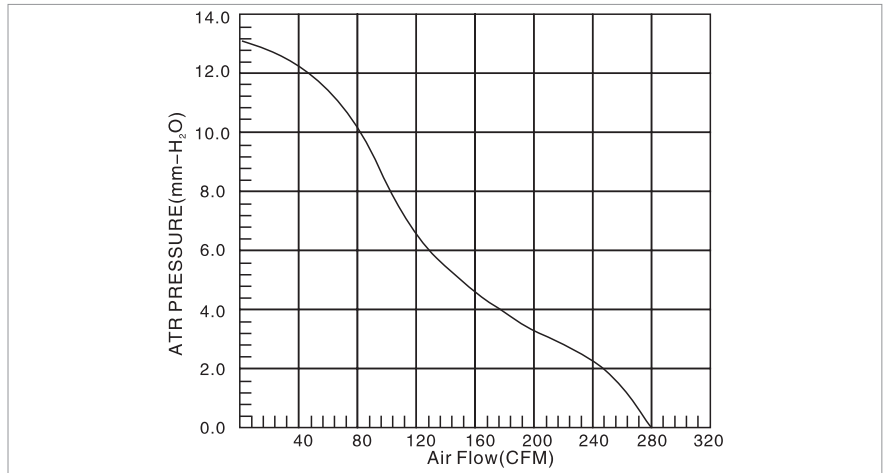
AC FAN

180X180x60mm

DIMENSIONS DRAWING



P&Q CURVE(AT RATEDVOLTAGE)



AVAILABLE FUNCTIONS

- 1. Moto protection

AS



Model	Bearing	Rated Voltage	Startup Voltage	Freq.	Current	Speed	Air Flow		Static Pressure		Noise
Part NO.	System	VAC	VAC	Hz	A	RPM	M ³ /min	CFM	mmH ₂ O	INH ₂ O	dBA
YFA18060B1L	Ball	110	100-125	50/60	0.69	2600	8.00	280	13.18	0.52	59
YFA18060B2L	Ball	220	200-240	50/60	0.30	2600	8.00	280	13.18	0.52	59
YFA18060B3L	Ball	380	360/420	50/60	0.16	2550	7.85	275	13.10	0.52	59

Notes1: The catalog have detail information in the front page for the functions.

2: If you want another rpm or voltage or functions which one in the list, please contact with our sales.



Shenzhen Yunfan Power Co.Limited

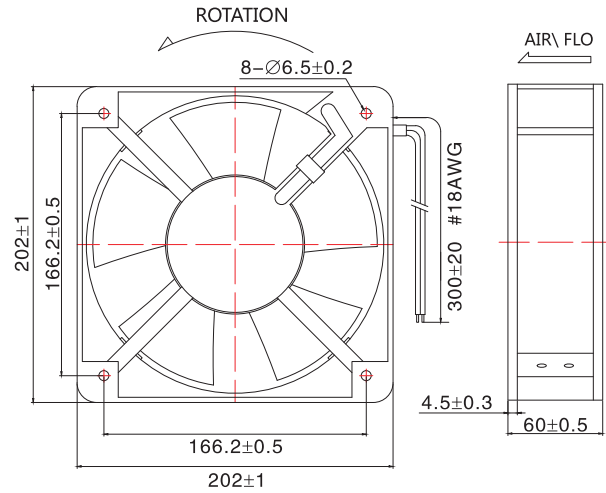
E-mail: info@yunfanpower.com

AC FAN

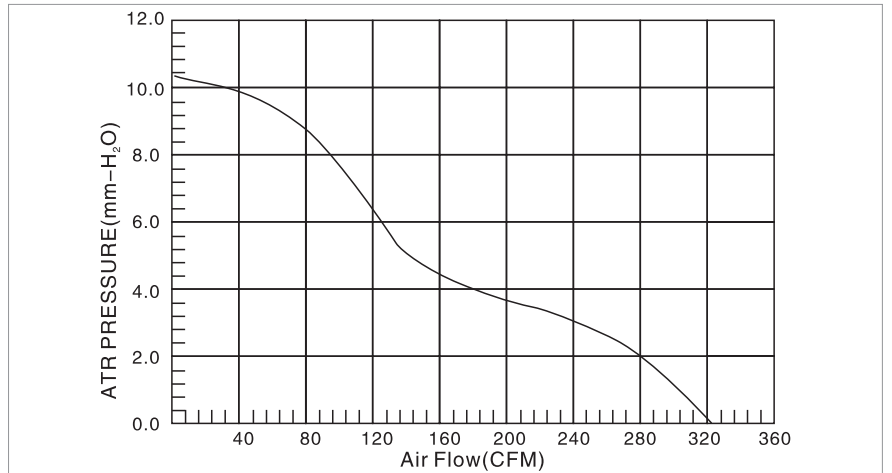


200X200x60mm

DIMENSIONS DRAWING



P&Q CURVE(AT RATEDVOLTAGE)



AVAILABLE FUNCTIONS

1. Moto protection
AS



Model	Bearing	Rated Voltage	Startup Voltage	Freq.	Current	Speed	Air Flow		Static Pressure		Noise
Part NO.	System	VAC	VAC	Hz	A	RPM	M ³ /min	CFM	mmH ₂ O	INH ₂ O	dBA
YFA20060B1L	Ball	110	100-125	50/60	0.69	2500	9.28	325	10.40	0.41	59
YFA20060B2L	Ball	220	200-240	50/60	0.30	2500	9.28	325	10.40	0.41	59
YFA20060B3L	Ball	380	360/420	50/60	0.16	2500	9.28	325	10.40	0.41	59

Notes1: The catalog have detail information in the front page for the functions.
2: If you want another rpm or voltage or functions which one in the list, please contact with our sales.

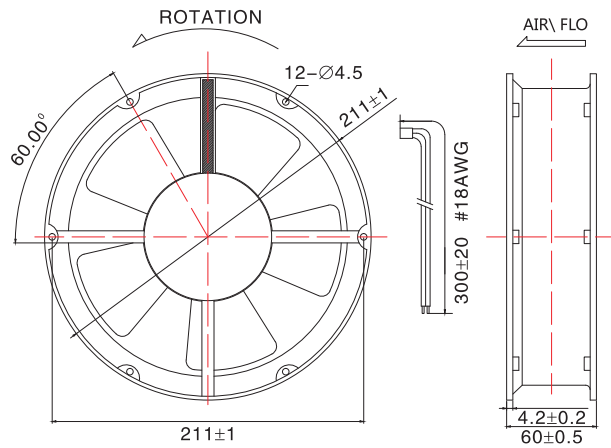


YUNFANPOWER

AC FAN

220X60mm

DIMENSIONS DRAWING

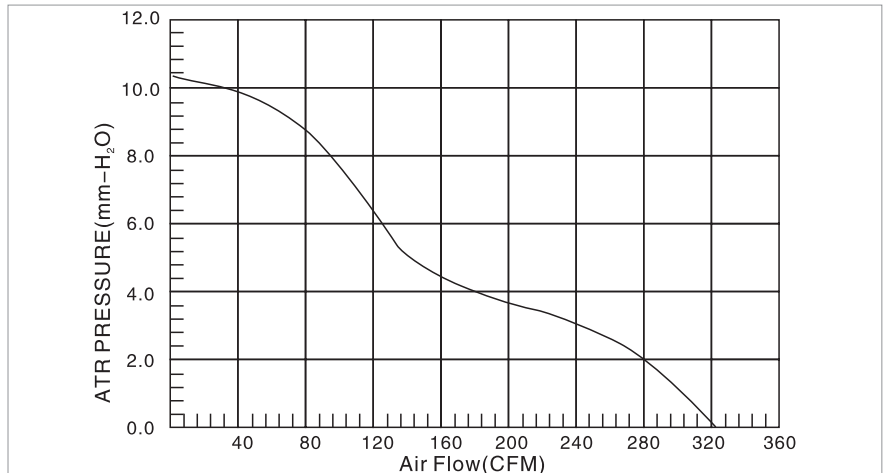


P&Q CURVE(AT RATEDVOLTAGE)

AVAILABLE FUNCTIONS

1.Moto protection

AS



Model	Bearing	Rated Voltage	Startup Voltage	Freq.	Current	Speed	Air Flow		Static Pressure		Noise
Part NO.	System	VAC	VAC	Hz	A	RPM	M ³ /min	CFM	mmH ₂ O	INH ₂ O	dBA
YFA22060B1L	Ball	110	100-125	50/60	0.69	2500	9.28	325	10.40	0.41	59
YFA22060B2L	Ball	220	200-240	50/60	0.30	2500	9.28	325	10.40	0.41	59
YFA22060B3L	Ball	380	360/420	50/60	0.16	2500	9.28	325	10.40	0.41	59

Notes1: The catalog have detail information in the front page for the functions.

2: If you want another rpm or voltage or functions which one in the list, please contact with our sales.



Shenzhen Yunfan Power Co.Limited

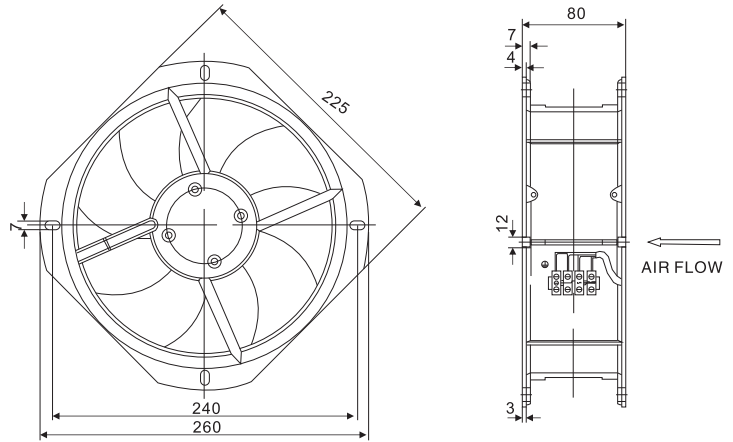
E-mail: info@yunfanpower.com

AC FAN



225X225x80mm

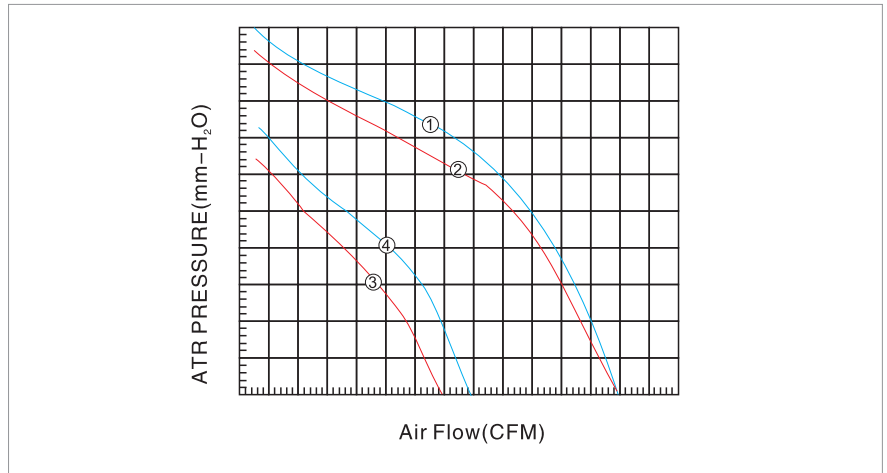
DIMENSIONS DRAWING



P&Q CURVE(AT RATEDVOLTAGE)

AVAILABLE FUNCTIONS

- 1. Moto protection
AS



Model	Bearing	Rated Voltage	Startup Voltage	Freq.	Current	Speed	Air Flow		Static Pressure		Noise
Part NO.	System	VAC	VAC	Hz	A	RPM	M ³ /min	CFM	mmH ₂ O	INH ₂ O	dBA
YFA22580B2E	Ball	220	200-240	50/60	0.30	2600	22.72	800	/	/	59
YFA22580B2D			200-240	50/60	0.17	2600	22.72	800	/	/	59
YFA22580B3E	Ball	380	360/420	50/60	0.20	1470	14.20	500	/	/	57
YFA22580B3D			360/420	50/60	0.10	1470	15.30	540	/	/	57

Notes1: The catalog have detail information in the front page for the functions.
2: If you want another rpm or voltage or functions which one in the list, please contact with our sales.



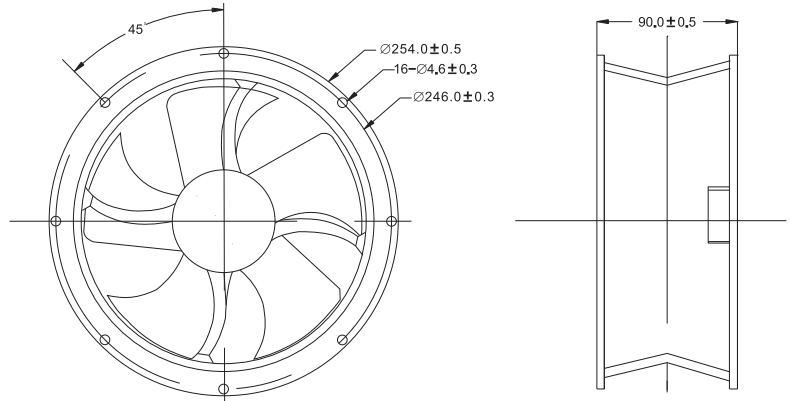
YUNFANPOWER

AC FAN

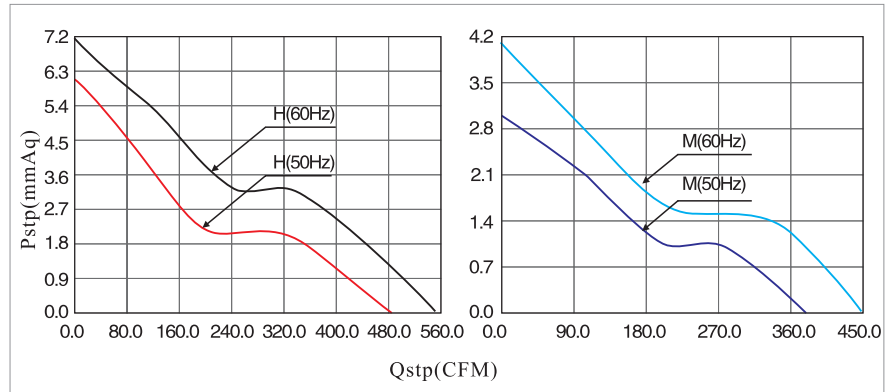
254x89mm



DIMENSIONS DRAWING



P&Q CURVE(AT RATEDVOLTAGE)



AVAILABLE FUNCTIONS

1. Moto protection

AS



Model	Bearing	Rated Voltage	Startup Voltage	Freq.	Current	Speed	Air Flow		Static Pressure		Noise
Part NO.	System	VAC	VAC	Hz	A	RPM	M ³ /min	CFM	mmH ₂ O	INH ₂ O	dBA
YFA25489S1M	Sleeve	110	100-125	50/60	0.32/0.28	1100/1240	10.75/12.74	380/450	3.0/4.1	0.12/0.16	41/45
YFA25489S1H				50/60	0.45/0.36	1380/1640	13.58/15.57	480/550	6.1/7.1	0.24/0.28	48/56
YFA25489B1M	Ball			50/60	0.32/0.28	1100/1240	10.75/12.74	380/450	3.0/4.1	0.12/0.16	41/45
YFA25489B1H				50/60	0.45/0.36	1380/1640	13.58/15.57	480/550	6.1/7.1	0.24/0.28	48/56
YFA25489S2M	Sleeve	220	200-240	50/60	0.17/0.15	1100/1240	10.75/12.74	380/450	3.0/4.1	0.12/0.16	41/45
YFA25489S2H				50/60	0.23/0.18	1380/1640	13.58/15.57	480/550	6.1/7.1	0.24/0.28	48/56
YFA25489B2M	Ball			50/60	0.17/0.15	1100/1240	10.75/12.74	380/450	3.0/4.1	0.12/0.16	41/45
YFA25489B2H				50/60	0.23/0.18	1380/1640	13.58/15.57	480/550	6.1/7.1	0.24/0.28	48/56

Notes1: The catalog have detail information in the front page for the functions.

2: If you want another rpm or voltage or functions which one in the list, please contact with our sales.



Shenzhen Yunfan Power Co.Limited

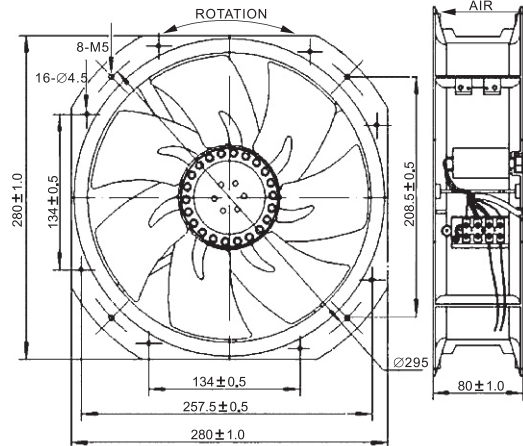
E-mail: info@yunfanpower.com

AC FAN



280x280x80mm

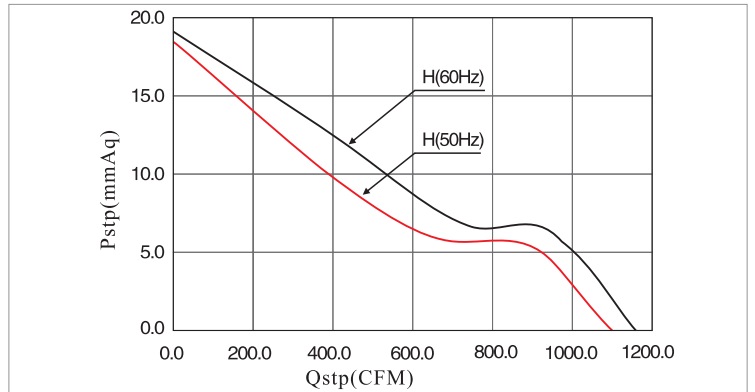
DIMENSIONS DRAWING



P&Q CURVE (AT RATED VOLTAGE)

AVAILABLE FUNCTIONS

1. Moto protection
AS



Model	Bearing	Rated Voltage	Startup Voltage	Freq.	Current	Speed	Air Flow		Static Pressure		Noise
Part NO.	System	VAC	VAC	Hz	A	RPM	M ³ /min	CFM	mmH ₂ O	INH ₂ O	dBA
YFA28080B1H	Ball	110	100-125	50/60	1.20/1.30	2500/2700	31.07/32.83	1098/1160	18.5/19.1	0.73/0.75	69/70
YFA28080B2H	Ball	220	200-240	50/60	1.20/1.30	2500/2700	31.07/32.83	1098/1160	18.5/19.1	0.73/0.75	69/70

Notes1: The catalog have detail information in the front page for the functions.
 2: If you want another rpm or voltage or functions which one in the list, please contact with our sales.



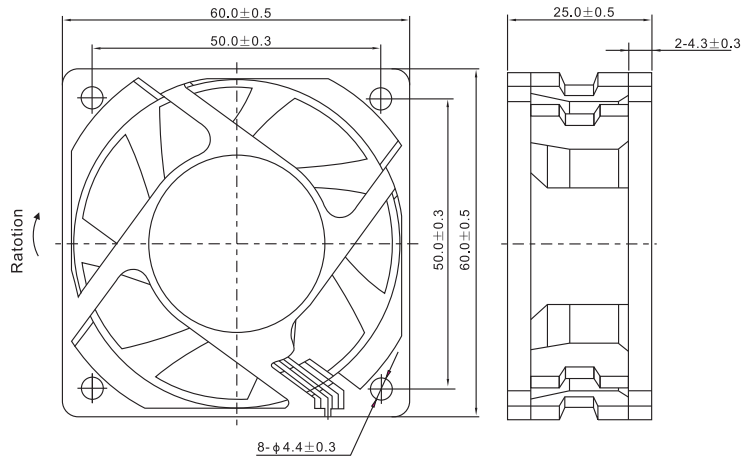
YUNFANPOWER

EC AXIAL

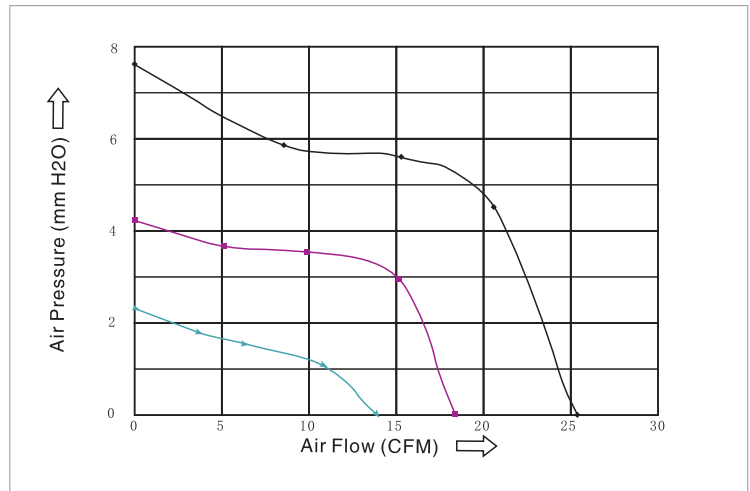
60x60x25mm



DIMENSIONS DRAWING



P&Q CURVE (AT RATED VOLTAGE)



AVAILABLE FUNCTIONS

1. Moto protection
AS



Model	Bearing System		Rated Voltage	Freq.	Operation Voltage	Rated Current	Power	Rated Speed	Air Flow	Air Pressure	Noise Level	Weight
	Ball	Sleeve	VAC	Hz	VAC	A	W	RPM	CFM	mmH ₂ O	dBA	g
YF6025HB/SL150/230E	●	●	115/230	50/60	98-264	0.05	4.0	5500	25.2	6.5	37	62
YF6025MB/SL150/230E	●	●				0.04	3.0	4000	18.3	4.2	30	
YF6025LB/SL150/230E	●	●				0.03	2.0	3000	13.8	2.3	24	

Notes1: The catalog have detail information in the front page for the functions.

2: If you want another rpm or voltage or functions which one in the list, please contact with our sales.



Shenzhen Yunfan Power Co. Limited

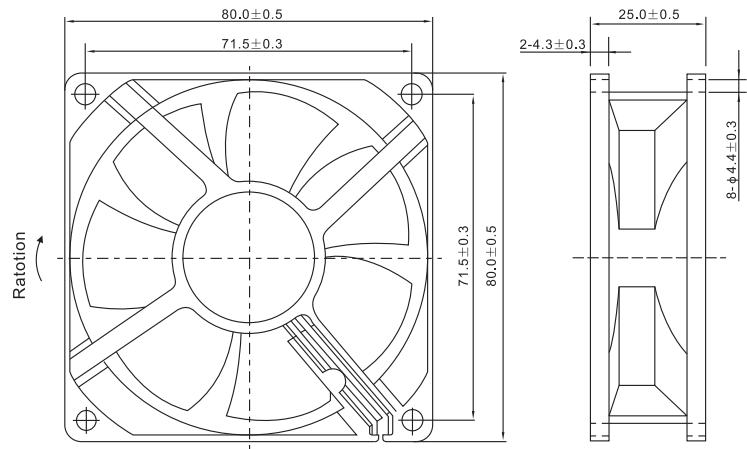
E-mail: info@yunfanpower.com

EC AXIAL

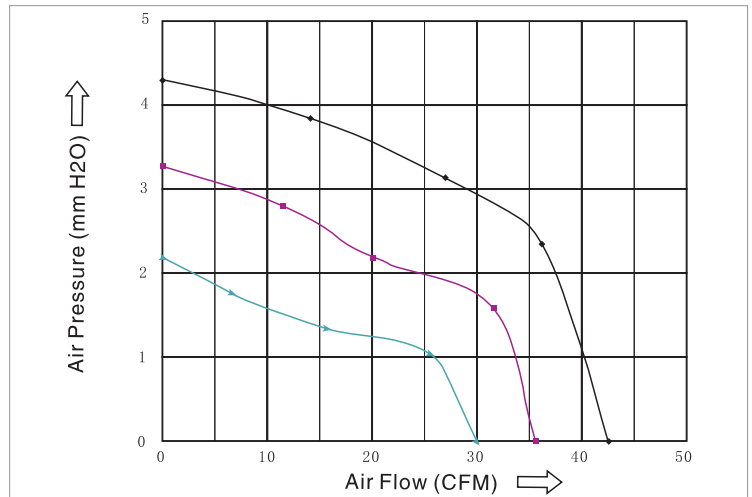
80x80x25mm



DIMENSIONS DRAWING



P&Q CURVE (AT RATED VOLTAGE)



AVAILABLE FUNCTIONS

1. Moto protection
AS



Model	Bearing System		Rated Voltage	Freq.	Operation Voltage	Rated Current	Power	Rated Speed	Air Flow	Air Pressure	Noise Level	Weight
	Ball	Sleeve	VAC	Hz	VAC	A	W	RPM	CFM	mmH ₂ O	dBA	g
YF8025HB/SL150/230E	●	●	115/230	50/60	98-264	0.05	5.0	3200	42.5	4.3	34	76
YF8025MB/SL150/230E	●	●				0.04	4.0	2800	35.7	3.3	28	
YF8025LB/SL150/230E	●	●				0.03	3.0	2400	30.2	2.2	23	

Notes1: The catalog have detail information in the front page for the functions.

2: If you want another rpm or voltage or functions which one in the list, please contact with our sales.



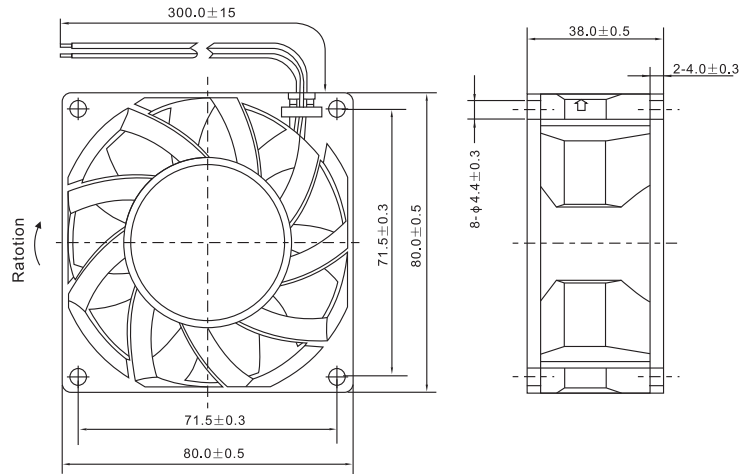
YUNFANPOWER

EC AXIAL

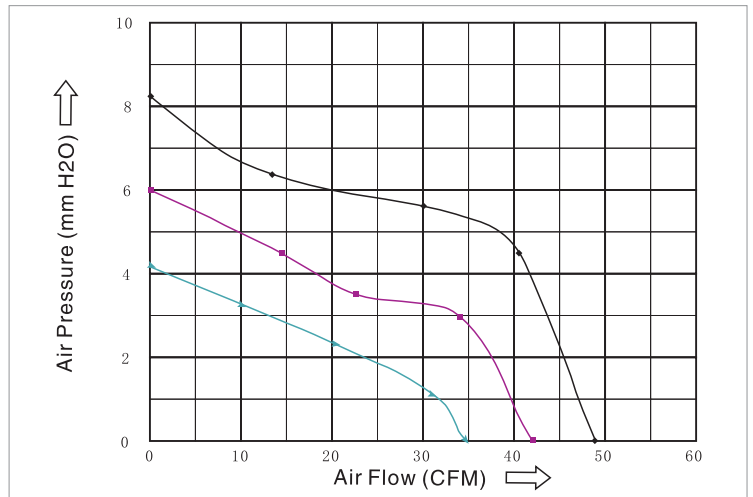
80x80x38mm



DIMENSIONS DRAWING



P&Q CURVE (AT RATED VOLTAGE)



AVAILABLE FUNCTIONS

1. Moto protection

AS



Model	Bearing System		Rated Voltage	Freq.	Operation Voltage	Rated Current	Power	Rated Speed	Air Flow	Air Pressure	Noise Level	Weight
	Ball	Sleeve	VAC	Hz	VAC	A	W	RPM	CFM	mmH ₂ O	dBA	g
YF8038HB/SL150/230E	●	●	115/230	50/60	98-264	0.06	6.0	3500	48.7	8.2	42	140
YF8038MB/SL150/230E	●	●				0.04	4.0	3000	41.7	6.0	37	
YF8038LB/SL150/230E	●	●				0.03	3.0	2500	34.8	4.2	32	

Notes1: The catalog have detail information in the front page for the functions.

2: If you want another rpm or voltage or functions which one in the list, please contact with our sales.



Shenzhen Yunfan Power Co.Limited

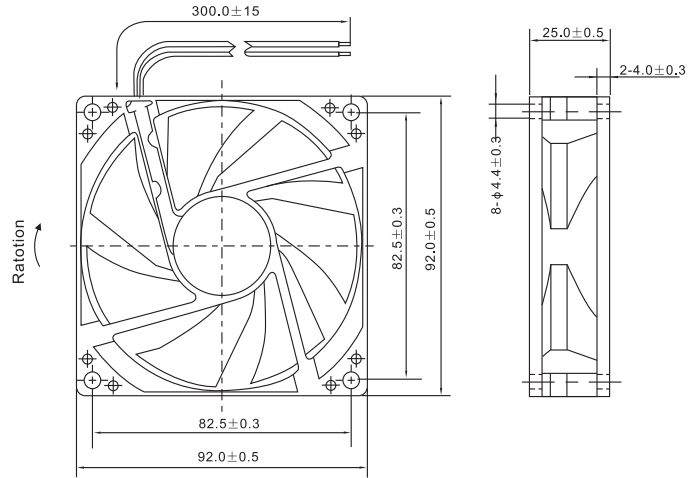
E-mail: info@yunfanpower.com

EC AXIAL

92x92x25mm



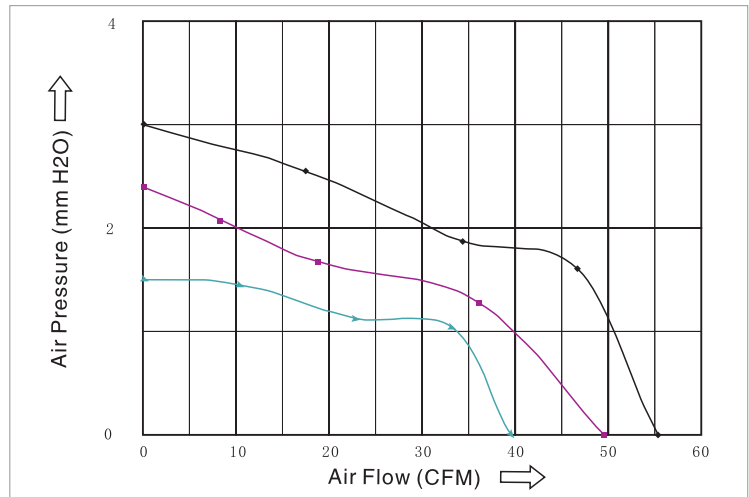
DIMENSIONS DRAWING



P&Q CURVE (AT RATED VOLTAGE)

AVAILABLE FUNCTIONS

1. Moto protection
AS



Model	Bearing System		Rated Voltage	Freq.	Operation Voltage	Rated Current	Power	Rated Speed	Air Flow	Air Pressure	Noise Level	Weight
	Ball	Sleeve	VAC	Hz	VAC	A	W	RPM	CFM	mmH ₂ O	dBA	g
YF9225HB/SL150/230E	●	●	115/230	50/60	98-264	0.06	6.0	2800	55.2	3.0	33	85
YF9225MB/SL150/230E	●	●				0.05	5.0	2500	49.3	2.4	30	
YF9225LB/SL150/230E	●	●				0.03	3.0	2000	39.4	1.5	25	

Notes1: The catalog have detail information in the front page for the functions.

2: If you want another rpm or voltage or functions which one in the list, please contact with our sales.



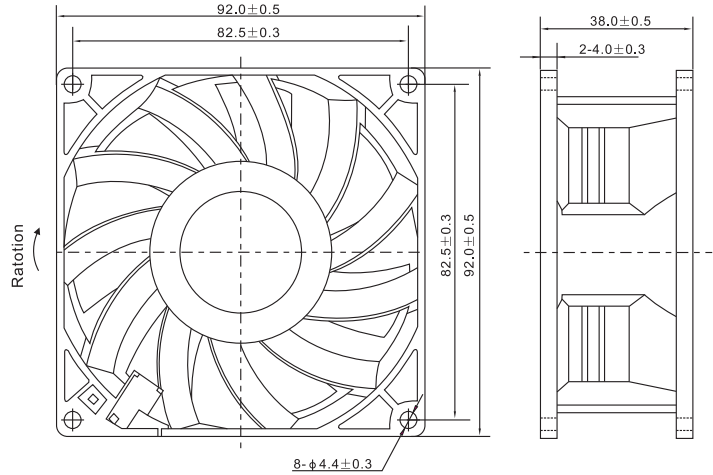
YUNFANPOWER

EC AXIAL

92x92x38mm



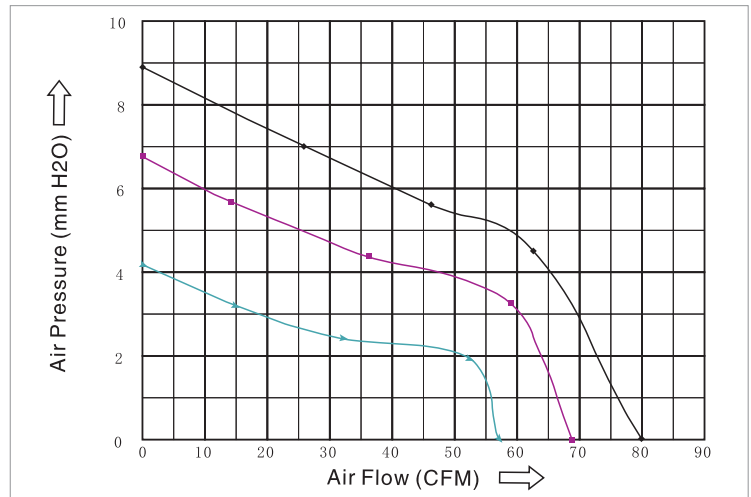
DIMENSIONS DRAWING



P&Q CURVE (AT RATED VOLTAGE)

AVAILABLE FUNCTIONS

1. Moto protection
AS



Model	Bearing System		Rated Voltage	Freq.	Operation Voltage	Rated Current	Power	Rated Speed	Air Flow	Air Pressure	Noise Level	Weight
	Ball	Sleeve	VAC	Hz	VAC	A	W	RPM	CFM	mmH ₂ O	dBA	g
YF9238HB/SL150/230E	●	●	115/230	50/60	98-264	0.07	7.0	3500	79.9	8.9	37	175
YF9238MB/SL150/230E	●	●				0.05	5.0	3000	68.5	6.8	33	
YF9238LB/SL150/230E	●	●				0.03	4.0	2500	57.1	4.2	29	

Notes1: The catalog have detail information in the front page for the functions.

2: If you want another rpm or voltage or functions which one in the list, please contact with our sales.



Shenzhen Yunfan Power Co. Limited

E-mail: info@yunfanpower.com

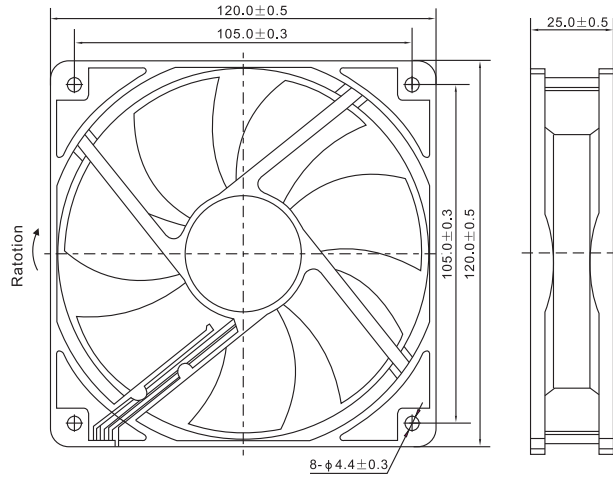
EC AXIAL



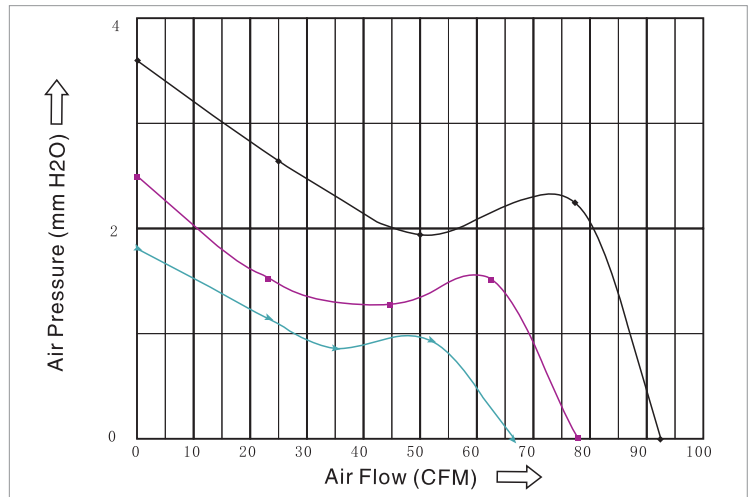
120x120x25mm



DIMENSIONS DRAWING



P&Q CURVE (AT RATED VOLTAGE)



AVAILABLE FUNCTIONS

- 1. Moto protection
- AS**



Model	Bearing System		Rated Voltage	Freq.	Operation Voltage	Rated Current	Power	Rated Speed	Air Flow	Air Pressure	Noise Level	Weight
	Ball	Sleeve	VAC	Hz	VAC	A	W	RPM	CFM	mmH2O	dBA	g
YF12025HB/SL150/230E	●	●	115/230	50/60	98-264	0.08	7.0	2600	100.2	4.2	38	140
YF12025MB/SL150/230E	●	●				0.06	4.0	2200	85.5	3.0	33	
YF12025LB/SL150/230E	●	●				0.05	3.0	1800	68.6	2.1	28	

Notes1: The catalog have detail information in the front page for the functions.
 2: If you want another rpm or voltage or functions which one in the list, please contact with our sales.

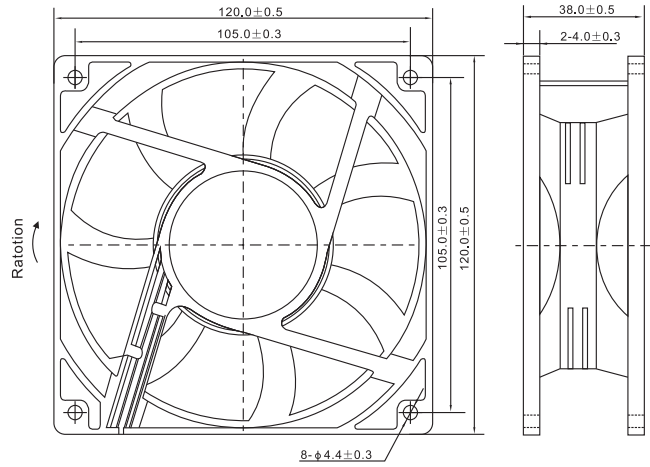


YUNFANPOWER

EC AXIAL

120x120x38mm

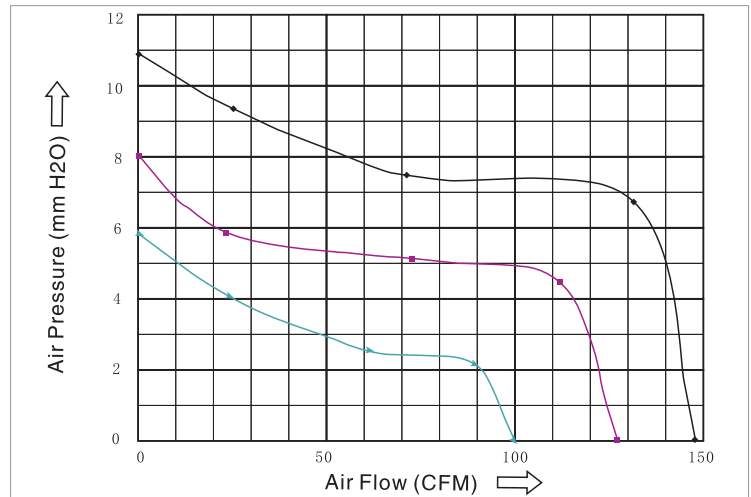
DIMENSIONS DRAWING



P&Q CURVE (AT RATED VOLTAGE)

AVAILABLE FUNCTIONS

1. Moto protection
AS



Model	Bearing System		Rated Voltage	Freq.	Operation Voltage	Rated Current	Power	Rated Speed	Air Flow	Air Pressure	Noise Level	Weight
	Ball	Sleeve	VAC	Hz	VAC	A	W	RPM	CFM	mmH ₂ O	dBA	g
YF12038XB/SL150/230E	●		115/230	50/60	98-264	0.13	18.0	4000	168.2	14.2	50	260
YF12038HB/SL150/230E	●	●				0.10	12.0	3500	147.6	10.9	47	
YF12038MB/SL150/230E	●	●				0.08	8.0	3000	126.5	8.0	44	
YF12038LB/SL150/230E	●	●				0.06	6.0	2500	99.7	5.8	40	

Notes1: The catalog have detail information in the front page for the functions.

2: If you want another rpm or voltage or functions which one in the list, please contact with our sales.

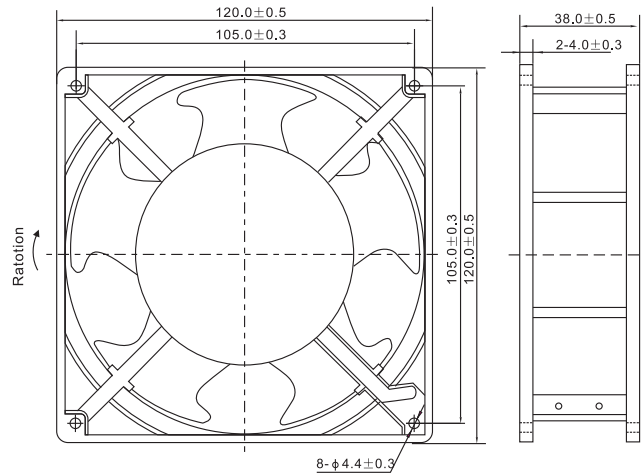
EC AXIAL



120x120x38mm



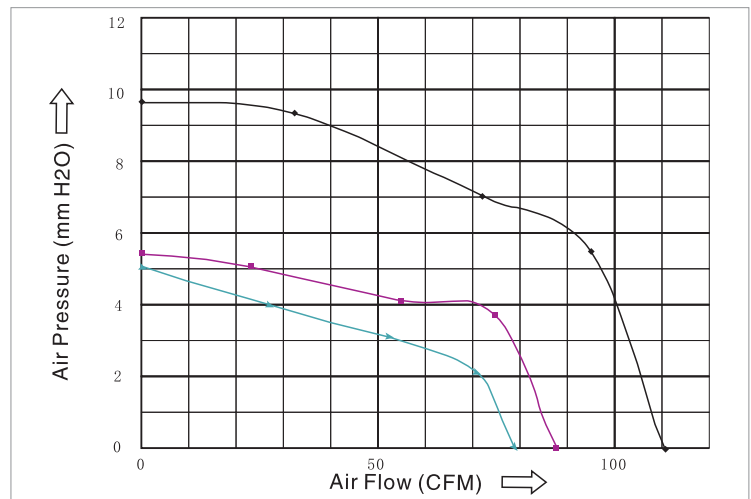
DIMENSIONS DRAWING



P&Q CURVE (AT RATED VOLTAGE)

AVAILABLE FUNCTIONS

1. Moto protection
AS



Model	Bearing System		Rated Voltage	Freq.	Operation Voltage	Rated Current	Power	Rated Speed	Air Flow	Air Pressure	Noise Level	Weight
	Ball	Sleeve	VAC	Hz	VAC	A	W	RPM	CFM	mmH ₂ O	dBA	g
YF12038XB/SL150/230E	●		115/230	50/60	98-264	0.12	18.0	4000	158.5	15.5	52	360
YF12038HB/SL150/230E	●	●				0.10	8.0	3000	110.5	9.7	45	350
YF12038MB/SL150/230E	●	●	220-240	50/60	198-264	0.08	5.0	2600	87.5	5.5	39	
YF12038LB/SL150/230E	●	●				0.06	3.0	2300	78.6	5.1	36	

Notes1: The catalog have detail information in the front page for the functions.
2: If you want another rpm or voltage or functions which one in the list, please contact with our sales.



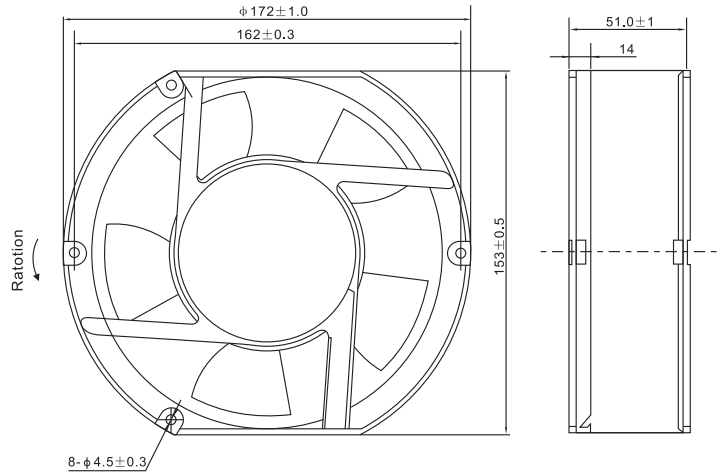
YUNFANPOWER

EC AXIAL

172x150x51mm



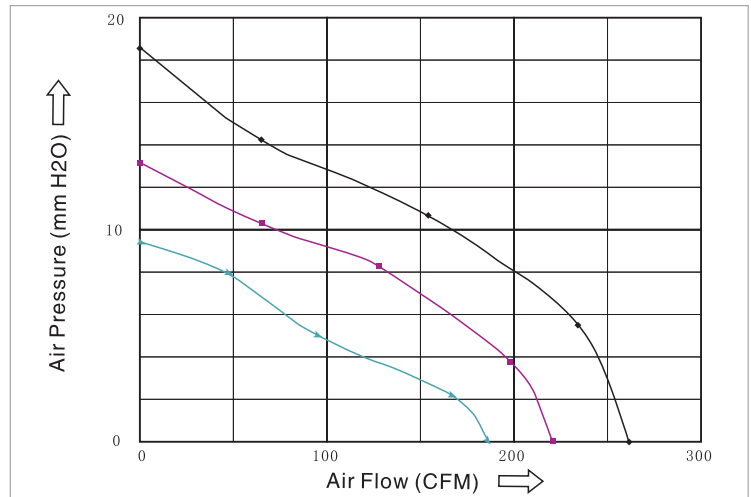
DIMENSIONS DRAWING



P&Q CURVE (AT RATED VOLTAGE)

AVAILABLE FUNCTIONS

1. Moto protection
AS



Model	Bearing System		Rated Voltage	Freq.	Operation Voltage	Rated Current	Power	Rated Speed	Air Flow	Air Pressure	Noise Level	Weight
	Ball	Sleeve	VAC	Hz	VAC	A	W	RPM	CFM	mmH ₂ O	dBA	g
YF17051HB/SL150/230E	●	●	115/230	50/60	98-264	0.35	35.0	3500	260.0	18.5	59	740
YF17051MB/SL150/230E	●	●				0.25	22.0	3000	220.9	13.2	51	
YF17051LB/SL150/230E	●	●				0.18	16.0	2500	185.2	9.4	44	

Notes1: The catalog have detail information in the front page for the functions.

2: If you want another rpm or voltage or functions which one in the list, please contact with our sales.

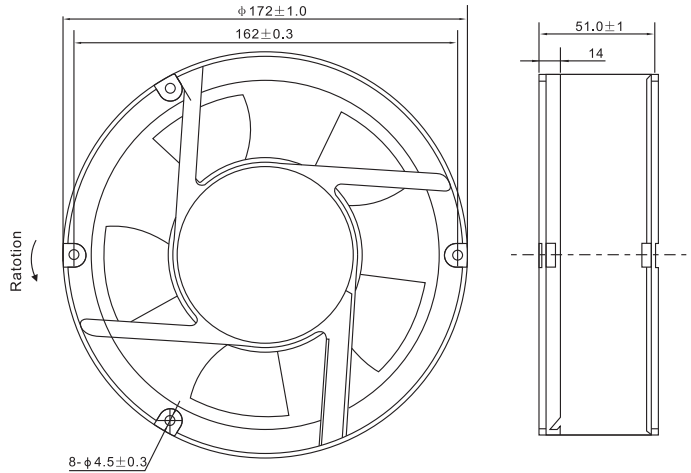
EC AXIAL



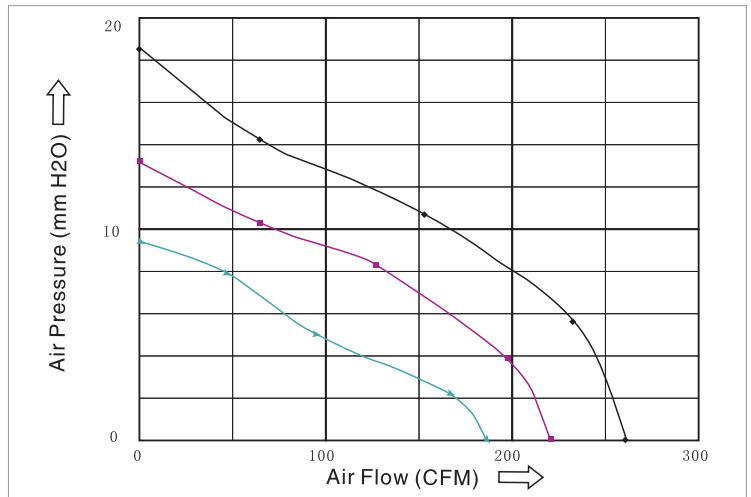
172x51mm



DIMENSIONS DRAWING



P&Q CURVE (AT RATED VOLTAGE)



AVAILABLE FUNCTIONS

1. Moto protection
AS



Model	Bearing System		Rated Voltage	Freq.	Operation Voltage	Rated Current	Power	Rated Speed	Air Flow	Air Pressure	Noise Level	Weight
	Ball	Sleeve	VAC	Hz	VAC	A	W	RPM	CFM	mmH ₂ O	dBA	g
YF17251HB/SL150/230E	●	●	115/230	50/60	98-264	0.35	35.0	3500	261.5	18.5	59	760
YF17251MB/SL150/230E	●	●				0.25	22.0	3000	221.2	13.2	51	
YF17251LB/SL150/230E	●	●				0.18	16.0	2500	185.5	9.4	44	

Notes1: The catalog have detail information in the front page for the functions.
2: If you want another rpm or voltage or functions which one in the list, please contact with our sales.