

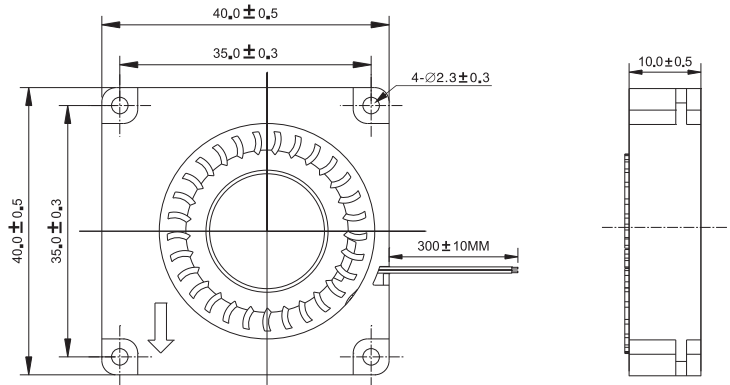
DC BLOWER FAN



40x40x10mm



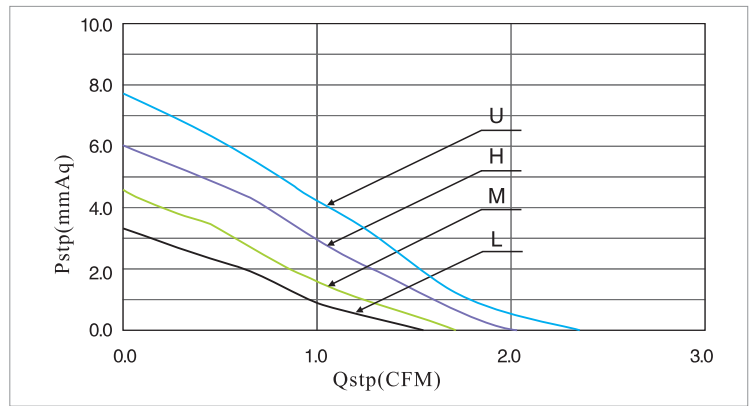
DIMENSIONS DRAWING



AVAILABLE FUNCTIONS

- Moto protection
AS
- Signal out put
FG RD
- Speed control mode
PWM TC

P&Q CURVE (AT RATED VOLTAGE)



Model	Bearing	Rated Voltage	Startup Voltage	Current	Power	Speed	Air Flow		Static Pressure		Noise
Part NO.	System	VDC	VDC	A	W	RPM	M ³ /min	CFM	mmH ₂ O	INH ₂ O	dBA
YFB4010S05L	Sleeve	5	4.0	0.07	0.35	5500	0.04	1.56	3.36	0.13	20.9
YFB4010S05M			4.0	0.11	0.55	6500	0.05	1.72	4.57	0.18	23.7
YFB4010S05H			4.0	0.17	0.85	7500	0.06	2.04	6.07	0.24	26.6
YFB4010S05U			4.0	0.22	1.10	8500	0.07	2.36	7.71	0.30	28.2
YFB4010B05L	Ball		4.0	0.07	0.35	5500	0.04	1.56	3.36	0.13	20.9
YFB4010B05M			4.0	0.11	0.55	6500	0.05	1.72	4.57	0.18	23.7
YFB4010B05H			4.0	0.17	0.85	7500	0.06	2.04	6.07	0.24	26.6
YFB4010B05U			4.0	0.22	1.10	8500	0.07	2.36	7.71	0.30	28.2
YFB4010S12L	Sleeve	12	9.0	0.05	0.60	5500	0.04	1.56	3.36	0.13	20.9
YFB4010S12M			9.0	0.06	0.72	6500	0.05	1.72	4.57	0.18	23.7
YFB4010S12H			9.0	0.08	0.96	7500	0.06	2.04	6.07	0.24	26.6
YFB4010S12U			9.0	0.10	1.20	8500	0.07	2.36	7.71	0.30	28.2
YFB4010B12L	Ball		9.0	0.05	0.60	5500	0.04	1.56	3.36	0.13	20.9
YFB4010B12M			9.0	0.06	0.72	6500	0.05	1.72	4.57	0.18	23.7
YFB4010B12H			9.0	0.08	0.96	7500	0.06	2.04	6.07	0.24	26.6
YFB4010B12U			9.0	0.10	1.20	8500	0.07	2.36	7.71	0.30	28.2

Notes1: The catalog have detail information in the front page for the functions.
2: If you want another rpm or voltage or functions which one in the list, please contact with our sales.



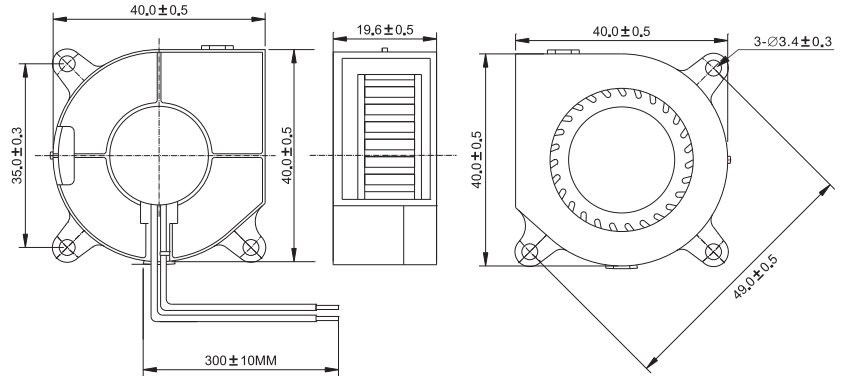
YUNFANPOWER

DC BLOWER FAN

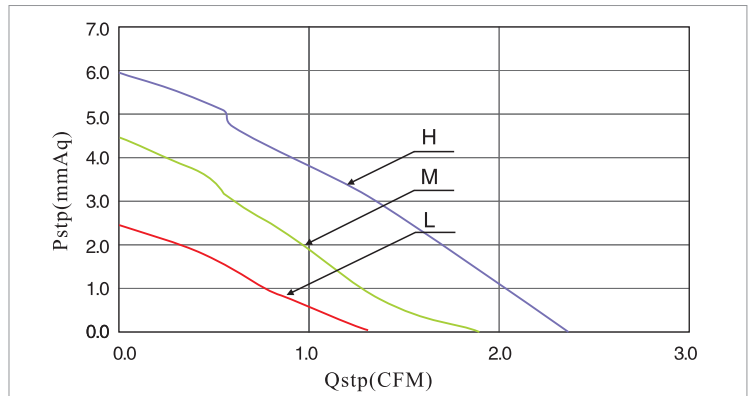
40x40x20mm



DIMENSIONS DRAWING



P&Q CURVE (AT RATED VOLTAGE)



AVAILABLE FUNCTIONS

- Moto protection
AS
- Signal out put
FG RD
- Speed control mode
PWM TC

Model	Bearing	Rated Voltage	Startup Voltage	Current	Power	Speed	Air Flow		Static Pressure		Noise
Part NO.	System	VDC	VDC	A	W	RPM	M ³ /min	CFM	mmH ₂ O	INH ₂ O	dBA
YFB4020S05L	Sleeve	5	4.0	0.10	0.50	4200	0.04	1.31	2.44	0.10	25.0
YFB4020S05M			4.0	0.15	0.75	5300	0.05	1.90	4.45	0.18	27.6
YFB4020S05H			4.0	0.20	1.00	6000	0.07	2.37	5.93	0.23	30.4
YFB4020B05L	Ball		4.0	0.10	0.50	4200	0.04	1.31	2.44	0.10	25.0
YFB4020B05M			4.0	0.15	0.75	5300	0.05	1.90	4.45	0.18	27.6
YFB4020B05H			4.0	0.20	1.00	6000	0.07	2.37	5.93	0.23	30.4
YFB4020S12L	Sleeve	12	9.0	0.08	0.96	4200	0.04	1.31	2.44	0.10	25.0
YFB4020S12M			9.0	0.10	1.20	5300	0.05	1.90	4.45	0.18	27.6
YFB4020S12H			9.0	0.13	1.56	6000	0.07	2.37	5.93	0.23	30.4
YFB4020B12L	Ball		9.0	0.08	0.96	4200	0.04	1.31	2.44	0.10	25.0
YFB4020B12M			9.0	0.10	1.20	5300	0.05	1.90	4.45	0.18	27.6
YFB4020B12H			9.0	0.13	1.56	6000	0.07	2.37	5.93	0.23	30.4
YFB4020S24L	Sleeve	24	12.0	0.06	1.44	4200	0.04	1.31	2.44	0.10	25.0
YFB4020S24M			12.0	0.08	1.92	5300	0.05	1.90	4.45	0.18	27.6
YFB4020S24H			12.0	0.10	2.40	6000	0.07	2.37	5.93	0.23	30.4
YFB4020B24L	Ball		12.0	0.06	1.44	4200	0.04	1.31	2.44	0.10	25.0
YFB4020B24M			12.0	0.08	1.92	5300	0.05	1.90	4.45	0.18	27.6
YFB4020B24H			12.0	0.10	2.40	6000	0.07	2.37	5.93	0.23	30.4

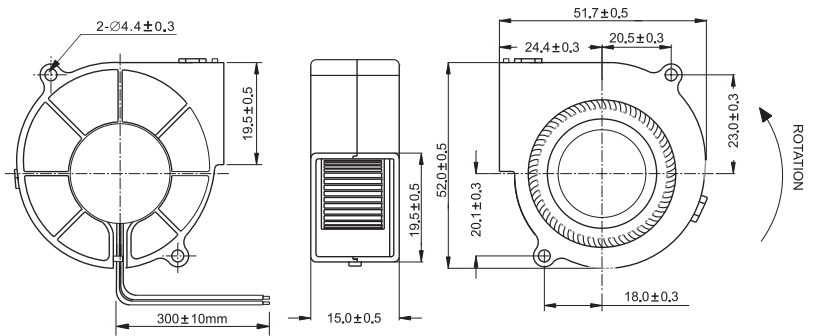
DC BLOWER FAN



51x51x15mm



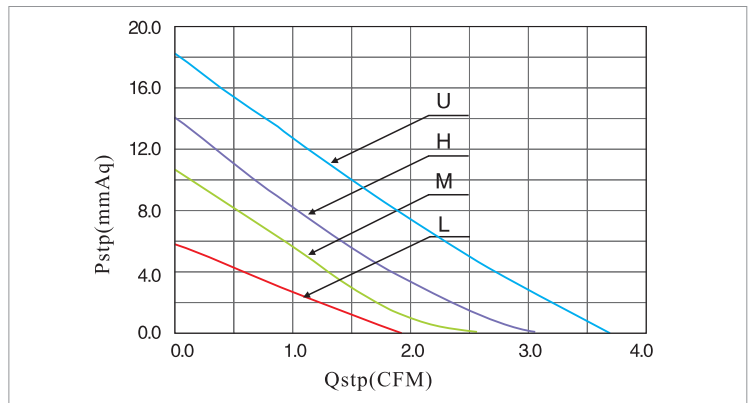
DIMENSIONS DRAWING



AVAILABLE FUNCTIONS

- 1. Moto protection
AS
- 2. Signal out put
FG **RD**
- 3. Speed control mode
PWM **TC**

P&Q CURVE (AT RATED VOLTAGE)



Model	Bearing	Rated Voltage	Startup Voltage	Current	Power	Speed	Air Flow		Static Pressure		Noise
Part NO.	System	VDC	VDC	A	W	RPM	M ³ /min	CFM	mmH ₂ O	INH ₂ O	dBA
YFB5115S05L	Sleeve	5	4.0	0.14	0.70	3500	0.05	1.92	5.76	0.23	21.9
YFB5115S05M			4.0	0.28	1.40	4500	0.07	2.57	10.68	0.42	28.2
YFB5115S05H			4.0	0.33	1.65	5500	0.09	3.07	14.05	0.55	32.6
YFB5115B05L	Ball		4.0	0.14	0.70	3500	0.05	1.92	5.76	0.23	21.9
YFB5115B05M			4.0	0.28	1.40	4500	0.07	2.57	10.68	0.42	28.2
YFB5115B05H			4.0	0.33	1.65	5500	0.09	3.07	14.05	0.55	32.6
YFB5115S12L	Sleeve	12	5.0	0.08	0.96	3500	0.05	1.92	5.76	0.23	21.9
YFB5115S12M			5.0	0.12	1.44	4500	0.07	2.57	10.68	0.42	28.2
YFB5115S12H			5.0	0.18	2.16	5500	0.09	3.07	14.05	0.55	32.6
YFB5115B12L	Ball		5.0	0.08	0.96	3500	0.05	1.92	5.76	0.23	21.9
YFB5115B12M			5.0	0.12	1.44	4500	0.07	2.57	10.68	0.42	28.2
YFB5115B12H			5.0	0.18	2.16	5500	0.09	3.07	14.05	0.55	32.6
YFB5115B12U			5.0	0.23	2.76	6500	0.10	3.69	18.24	0.72	36.3
YFB5115S24L	Sleeve	24	12.0	0.05	1.20	3500	0.05	1.92	5.76	0.23	21.9
YFB5115S24M			12.0	0.08	1.92	4500	0.07	2.57	10.68	0.42	28.2
YFB5115S24H			12.0	0.12	2.88	5500	0.09	3.07	14.05	0.55	32.6
YFB5115B24L	Ball		12.0	0.05	1.20	3500	0.05	1.92	5.76	0.23	21.9
YFB5115B24M			12.0	0.08	1.92	4500	0.07	2.57	10.68	0.42	28.2
YFB5115B24H			12.0	0.12	2.88	5500	0.09	3.07	14.05	0.55	32.6
YFB5115B24U			12.0	0.16	3.84	6500	0.10	3.69	18.24	0.72	36.3



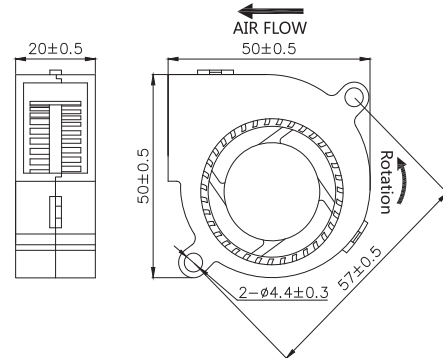
YUNFANPOWER

DC BLOWER FAN

50x50x20mm



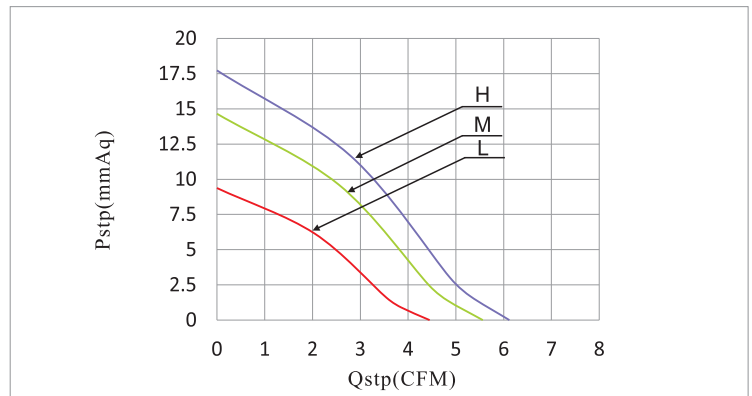
DIMENSIONS DRAWING



AVAILABLE FUNCTIONS

- Moto protection
AS
- Signal out put
FG RD
- Speed control mode
PWM TC

P&Q CURVE (AT RATED VOLTAGE)



Model	Bearing	Rated Voltage	Startup Voltage	Current	Power	Speed	Air Flow		Static Pressure		Noise
Part NO.	System	VDC	VDC	A	W	RPM	M ³ /min	CFM	mmH ₂ O	INH ₂ O	dBA
YFB5020S05L	Sleeve	5	4.5	0.20	1.00	4000	0.13	4.45	9.37	0.37	26.8
YFB5020S05M			4.5	0.25	1.25	5000	0.16	5.56	14.65	0.58	34.8
YFB5020S05H			4.5	0.30	1.50	5500	0.17	6.12	17.73	0.70	37.2
YFB5020B05L	Ball		4.5	0.20	1.00	4000	0.13	4.45	9.37	0.37	26.8
YFB5020B05M			4.5	0.25	1.25	5000	0.16	5.56	14.65	0.58	34.8
YFB5020B05H			4.5	0.30	1.50	5500	0.17	6.12	17.73	0.70	37.2
YFB5020S12L	Sleeve	12	9.5	0.06	0.72	4000	0.13	4.45	9.37	0.37	26.8
YFB5020S12M			9.5	0.10	1.20	5000	0.16	5.56	14.65	0.58	34.8
YFB5020S12H			9.5	0.15	1.80	5500	0.17	6.12	17.73	0.70	37.2
YFB5020B12L	Ball		9.5	0.06	0.72	4000	0.13	4.45	9.37	0.37	26.8
YFB5020B12M			9.5	0.10	1.20	5000	0.16	5.56	14.65	0.58	34.8
YFB5020B12H			9.5	0.15	1.80	5500	0.17	6.12	17.73	0.70	37.2
YFB5020S24L	Sleeve	24	12.0	0.05	1.20	4000	0.13	4.45	9.37	0.37	26.8
YFB5020S24M			12.0	0.07	1.68	5000	0.16	5.56	14.65	0.58	34.8
YFB5020S24H			12.0	0.11	2.64	5500	0.17	6.12	17.73	0.70	37.2
YFB5020B24L	Ball		12.0	0.05	1.20	4000	0.13	4.45	9.37	0.37	26.8
YFB5020B24M			12.0	0.07	1.68	5000	0.16	5.56	14.65	0.58	34.8
YFB5020B24H			12.0	0.11	2.64	5500	0.17	6.12	17.73	0.70	37.2

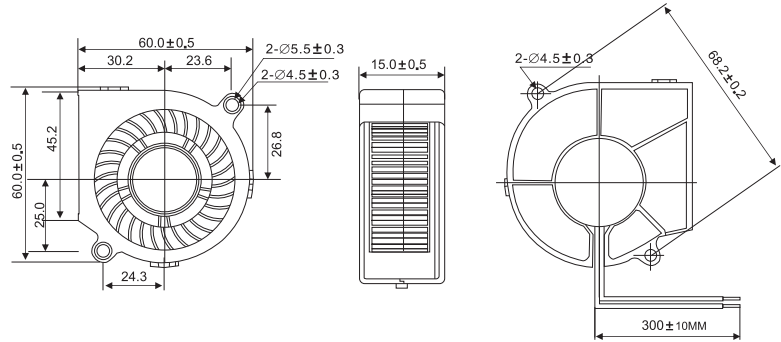
DC BLOWER FAN



60x60x15mm



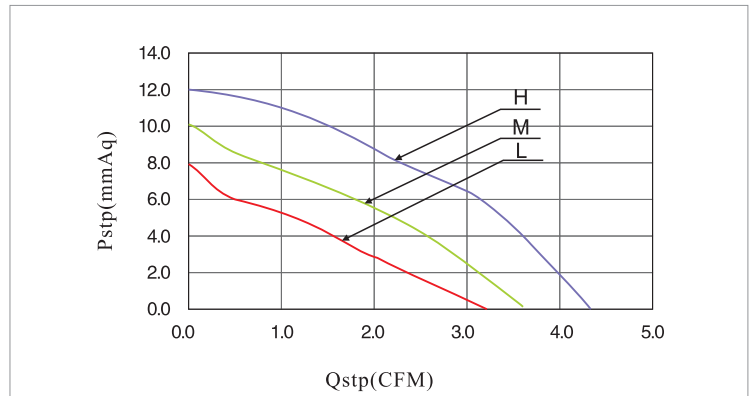
DIMENSIONS DRAWING



AVAILABLE FUNCTIONS

- 1. Moto protection
AS
- 2. Signal out put
FG **RD**
- 3. Speed control mode
PWM **TC**

P&Q CURVE (AT RATED VOLTAGE)



Model	Bearing	Rated Voltage	Startup Voltage	Current	Power	Speed	Air Flow		Static Pressure		Noise
Part NO.	System	VDC	VDC	A	W	RPM	M ³ /min	CFM	mmH ₂ O	INH ₂ O	dBA
YFB6015S05L	Sleeve	5	4.5	0.25	1.25	2800	0.09	3.24	7.92	0.31	27.1
YFB6015S05M			4.5	0.35	1.75	3500	0.10	3.65	10.12	0.40	32.4
YFB6015B05L	Ball		4.5	0.25	1.25	2800	0.09	3.24	7.92	0.31	27.1
YFB6015B05M			4.5	0.35	1.75	3500	0.10	3.65	10.12	0.40	32.4
YFB6015S12L	Sleeve	12	9.5	0.16	1.92	2800	0.09	3.24	7.92	0.31	27.1
YFB6015S12M			9.5	0.20	2.40	3500	0.10	3.65	10.12	0.40	32.4
YFB6015S12H	9.5		0.24	2.88	4200	0.12	4.35	12.12	0.48	39.1	
YFB6015B12L	Ball		9.5	0.16	1.92	2800	0.09	3.24	7.92	0.31	27.1
YFB6015B12M			9.5	0.20	2.40	3500	0.10	3.65	10.12	0.40	32.4
YFB6015B12H			9.5	0.24	2.88	4200	0.12	4.35	12.12	0.48	39.1

Notes1: The catalog have detail information in the front page for the functions.
2: If you want another rpm or voltage or functions which one in the list, please contact with our sales.



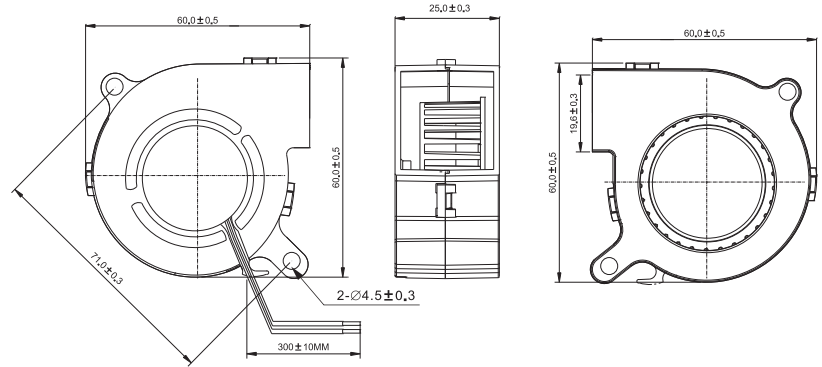
YUNFANPOWER

DC BLOWER FAN

60x60x25mm



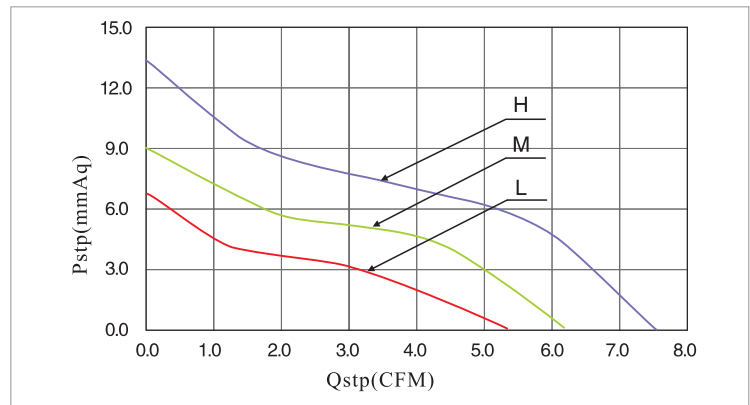
DIMENSIONS DRAWING



AVAILABLE FUNCTIONS

- 1. Moto protection
AS
- 2. Signal out put
FG **RD**
- 3. Speed control mode
PWM **TC**

P&Q CURVE(AT RATEDVOLTAGE)



Model	Bearing	Rated Voltage	Startup Voltage	Current	Power	Speed	Air Flow		Static Pressure		Noise
Part NO.	System	VDC	VDC	A	W	RPM	M ³ /min	CFM	mmH ₂ O	INH ₂ O	dBA
YFB6025S12L	Sleeve	12	5.0	0.18	2.16	3200	0.15	5.38	6.78	0.27	33.9
YFB6025S12M			5.0	0.24	2.88	3700	0.18	6.22	9.06	0.36	37.1
YFB6025S12H			5.0	0.32	3.84	4500	0.21	7.56	13.40	0.53	41.3
YFB6025B12L	Ball		5.0	0.18	2.16	3200	0.15	5.38	6.78	0.27	33.9
YFB6025B12M			5.0	0.24	2.88	3700	0.18	6.22	9.06	0.36	37.1
YFB6025B12H			5.0	0.32	3.84	4500	0.21	7.56	13.40	0.53	41.3
YFB6025S24L	Sleeve	24	12.0	0.11	2.64	3200	0.15	5.38	6.78	0.27	33.9
YFB6025S24M			12.0	0.15	3.60	3700	0.18	6.22	9.06	0.36	37.1
YFB6025S24H			12.0	0.20	4.80	4500	0.21	7.56	13.40	0.53	41.3
YFB6025B24L	Ball		12.0	0.11	2.64	3200	0.15	5.38	6.78	0.27	33.9
YFB6025B24M			12.0	0.15	3.60	3700	0.18	6.22	9.06	0.36	37.1
YFB6025B24H			12.0	0.20	4.80	4500	0.21	7.56	13.40	0.53	41.3

Notes1: The catalog have detail information in the front page for the functions.
 2: If you want another rpm or voltage or functions which one in the list, please contact with our sales.

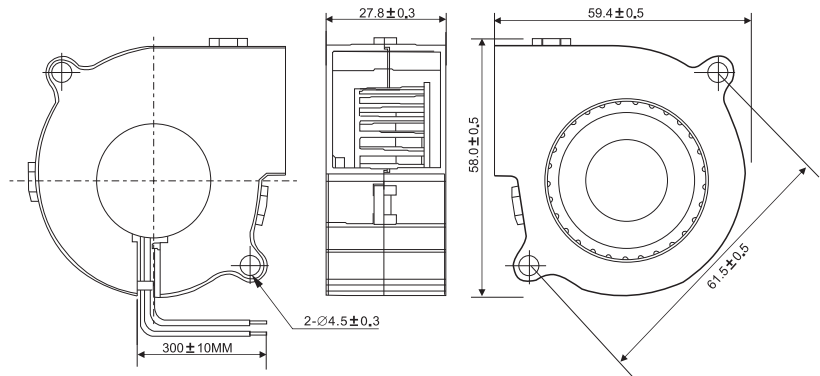


DC BLOWER FAN

60x60x28mm



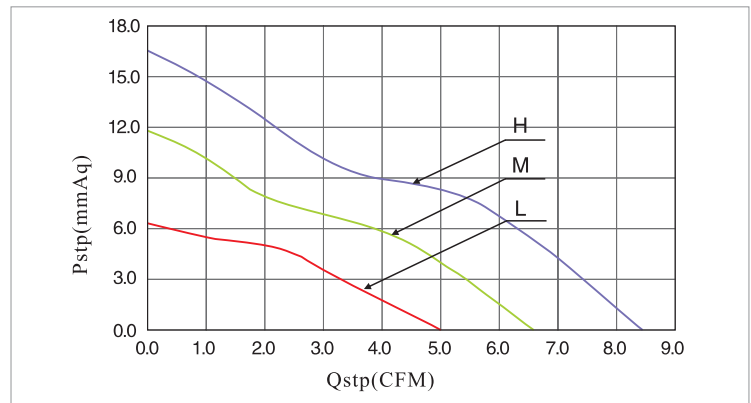
DIMENSIONS DRAWING



AVAILABLE FUNCTIONS

1. Moto protection
AS
2. Signal out put
FG **RD**
3. Speed control mode
PWM **TC**

P&Q CURVE(AT RATEDVOLTAGE)



Model	Bearing	Rated Voltage	Startup Voltage	Current	Power	Speed	Air Flow		Static Pressure		Noise
Part NO.	System	VDC	VDC	A	W	RPM	M ³ /min	CFM	mmH ₂ O	INH ₂ O	dBA
YFB6028S12L	Sleeve	12	5.0	0.08	0.96	3000	0.14	4.98	6.23	0.25	31.2
YFB6028S12M			5.0	0.12	1.44	4000	0.18	6.53	11.75	0.46	38.0
YFB6028S12H			5.0	0.20	2.40	5000	0.24	8.41	16.58	0.65	43.6
YFB6028B12L	Ball		5.0	0.08	0.96	3000	0.14	4.98	6.23	0.25	31.2
YFB6028B12M			5.0	0.12	1.44	4000	0.18	6.53	11.75	0.46	38.0
YFB6028B12H			5.0	0.20	2.40	5000	0.24	8.41	16.58	0.65	43.6
YFB6028S24L	Sleeve	24	12.0	0.05	1.20	3000	0.14	4.98	6.23	0.25	31.2
YFB6028S24M			12.0	0.08	1.92	4000	0.18	6.53	11.75	0.46	38.0
YFB6028S24H			12.0	0.12	2.88	5000	0.24	8.41	16.58	0.65	43.6
YFB6028B24L	Ball		12.0	0.05	1.20	3000	0.14	4.98	6.23	0.25	31.2
YFB6028B24M			12.0	0.08	1.92	4000	0.18	6.53	11.75	0.46	38.0
YFB6028B24H			12.0	0.12	2.88	5000	0.24	8.41	16.58	0.65	43.6

Notes1: The catalog have detail information in the front page for the functions.
2: If you want another rpm or voltage or functions which one in the list, please contact with our sales.



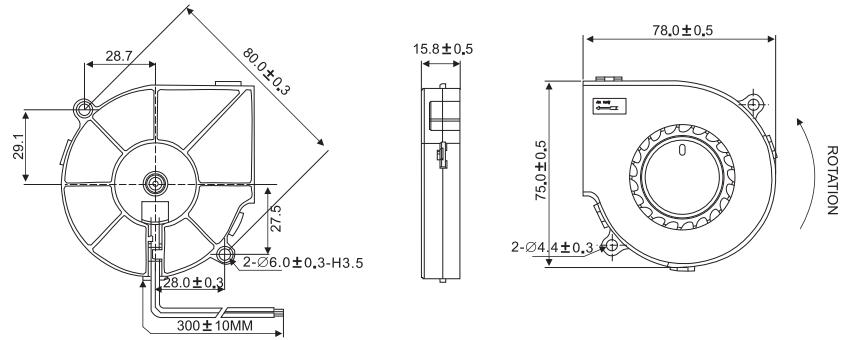
YUNFANPOWER

DC BLOWER FAN

75x75x15mm



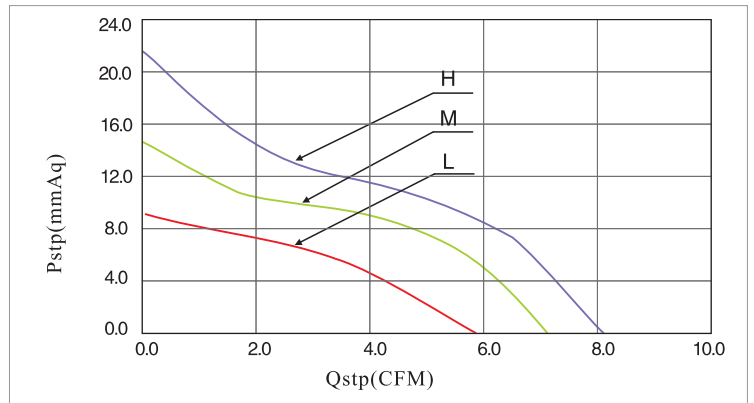
DIMENSIONS DRAWING



AVAILABLE FUNCTIONS

- 1. Moto protection
AS
- 2. Signal out put
FG **RD**
- 3. Speed control mode
PWM **TC**

P&Q CURVE (AT RATED VOLTAGE)



Model	Bearing	Rated Voltage	Startup Voltage	Current	Power	Speed	Air Flow		Static Pressure		Noise
Part NO.	System	VDC	VDC	A	W	RPM	M ³ /min	CFM	mmH ₂ O	INH ₂ O	dBA
YFB7015S05L	Sleeve	5	4.5	0.30	1.50	2500	0.17	5.92	9.16	0.36	28.6
YFB7015S05M			4.5	0.45	2.25	3200	0.20	7.14	14.63	0.58	35.7
YFB7015S05H			4.5	0.65	3.25	3800	0.23	8.15	21.56	0.85	40.8
YFB7015B05L	Ball		4.5	0.30	1.50	2500	0.17	5.92	9.16	0.36	28.6
YFB7015B05M			4.5	0.45	2.25	3200	0.20	7.14	14.63	0.58	35.7
YFB7015B05H			4.5	0.65	3.25	3800	0.23	8.15	21.56	0.85	40.8
YFB7015S12L	Sleeve	12	9.5	0.14	1.68	2500	0.17	5.92	9.16	0.36	28.6
YFB7015S12M			9.5	0.23	2.76	3200	0.20	7.14	14.63	0.58	35.7
YFB7015S12H			9.5	0.45	5.40	3800	0.23	8.15	21.56	0.85	40.8
YFB7015B12L	Ball		9.5	0.14	1.68	2500	0.17	5.92	9.16	0.36	28.6
YFB7015B12M			9.5	0.23	2.76	3200	0.20	7.14	14.63	0.58	35.7
YFB7015B12H			9.5	0.45	5.40	3800	0.23	8.15	21.56	0.85	40.8

Notes1: The catalog have detail information in the front page for the functions.
 2: If you want another rpm or voltage or functions which one in the list, please contact with our sales.

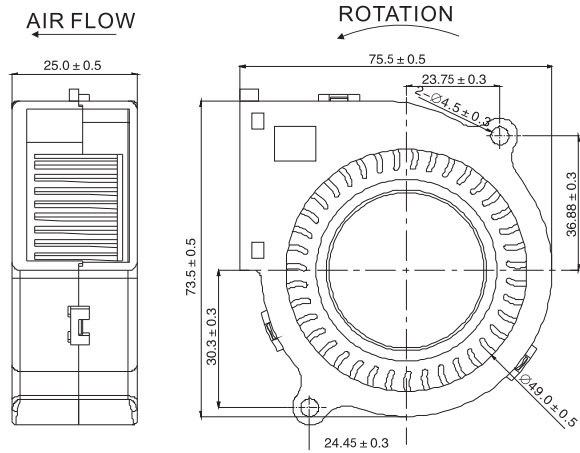


DC BLOWER FAN

75x75x25mm



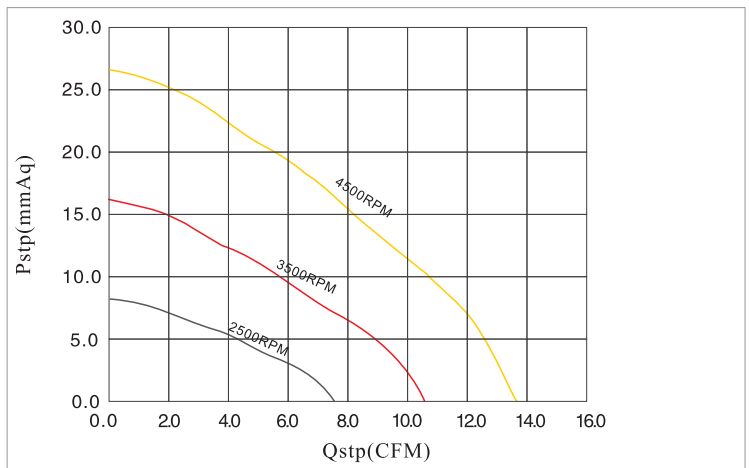
DIMENSIONS DRAWING



AVAILABLE FUNCTIONS

1. Moto protection
AS
2. Signal out put
FG RD
3. Speed control mode
PWM TC

P&Q CURVE (AT RATED VOLTAGE)



Model	Bearing	Rated Voltage	Startup Voltage	Current	Power	Speed	Air Flow		Static Pressure		Noise
Part NO.	System	VDC	VDC	A	W	RPM	M ³ /min	CFM	mmH ₂ O	INH ₂ O	dBA
YFB7525S12L	Sleeve	12	5.0	0.09	1.08	2500	0.21	7.58	8.23	0.32	35.5
YFB7525S12M			5.0	0.23	2.76	3500	0.30	10.62	16.12	0.64	43.3
YFB7525S12H			5.0	0.46	5.52	4500	0.39	13.65	26.66	1.08	50.0
YFB7525B12L	Ball		5.0	0.09	1.08	2500	0.21	7.58	8.23	0.32	35.5
YFB7525B12M			5.0	0.23	2.76	3500	0.30	10.62	16.12	0.64	43.3
YFB7525B12H			5.0	0.46	5.52	4500	0.39	13.65	26.66	1.08	50.0
YFB7525S24L	Sleeve	24	12.0	0.06	1.44	2500	0.21	7.58	8.23	0.32	35.5
YFB7525S24M			12.0	0.12	2.88	3500	0.30	10.62	16.12	0.64	43.3
YFB7525S24H			12.0	0.23	5.52	4500	0.39	13.62	26.66	1.08	50.0
YFB7525B24L	Ball		12.0	0.06	1.44	2500	0.21	7.58	8.23	0.32	35.5
YFB7525B24M			12.0	0.12	2.88	3500	0.30	10.62	16.12	0.64	43.3
YFB7525B24H			12.0	0.23	5.52	4500	0.39	13.65	26.66	1.08	50.0

Notes1: The catalog have detail information in the front page for the functions.
2: If you want another rpm or voltage or functions which one in the list, please contact with our sales.

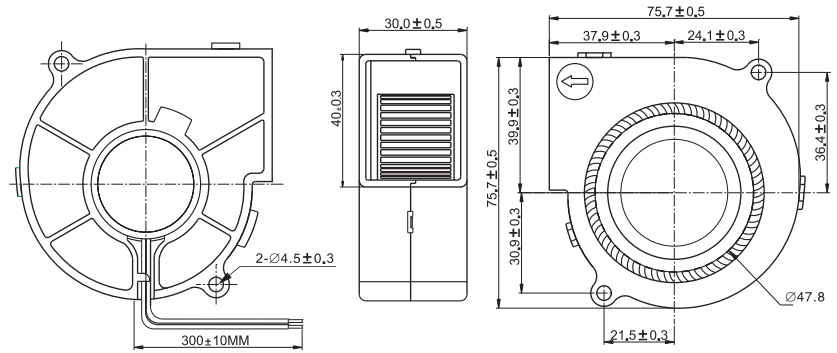


YUNFANPOWER

DC BLOWER FAN

75x75x30mm

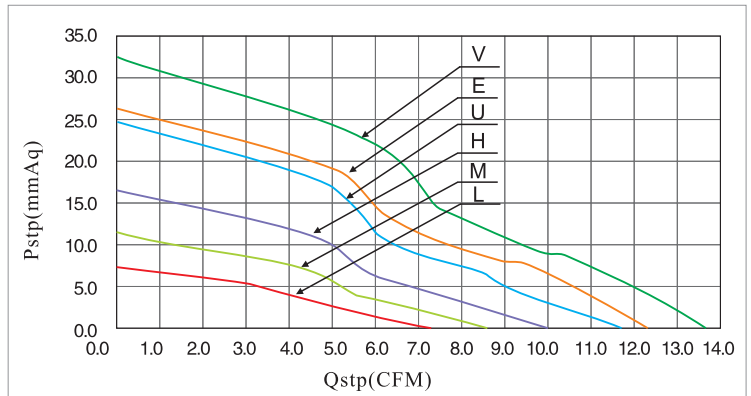
DIMENSIONS DRAWING



AVAILABLE FUNCTIONS

- 1. Moto protection
AS
- 2. Signal out put
FG **RD**
- 3. Speed control mode
PWM **TC**

P&Q CURVE(AT RATEDVOLTAGE)



Model	Bearing	Rated Voltage	Startup Voltage	Current	Power	Speed	Air Flow		Static Pressure		Noise
Part NO.	System	VDC	VDC	A	W	RPM	M ³ /min	CFM	mmH ₂ O	INH ₂ O	dBA
YFB7030S12L	Sleeve	12	5.0	0.12	1.44	2500	0.21	7.37	7.54	0.30	33.3
YFB7030S12M			5.0	0.15	1.80	3000	0.24	8.62	11.41	0.45	37.0
YFB7030S12H			5.0	0.18	2.16	3500	0.29	10.08	16.66	0.66	40.6
YFB7030B12L	Ball		5.0	0.12	1.44	2500	0.21	7.37	7.54	0.30	33.3
YFB7030B12M			5.0	0.15	1.80	3000	0.24	8.62	11.41	0.45	37.0
YFB7030B12H			5.0	0.18	2.16	3500	0.29	10.08	16.66	0.66	40.6
YFB7030B12U			5.0	0.24	2.88	4200	0.33	11.74	24.74	0.97	45.3
YFB7030B12E			5.0	0.36	4.32	4500	0.21	7.37	7.54	0.30	33.3
YFB7030B12V			5.0	0.43	5.16	5000	0.24	8.62	11.41	0.45	37.0
YFB7030S24L	Sleeve	24	12.0	0.10	2.40	2500	0.21	7.37	7.54	0.30	33.3
YFB7030S24M			12.0	0.12	2.88	3000	0.24	8.62	11.41	0.45	37.0
YFB7030S24H			12.0	0.20	4.80	3500	0.29	10.08	16.66	0.66	40.6
YFB7030B24L	Ball		12.0	0.10	2.40	2500	0.21	7.37	7.54	0.30	33.3
YFB7030B24M			12.0	0.12	2.88	3000	0.24	8.62	11.41	0.45	37.0
YFB7030B24H			12.0	0.20	4.80	3500	0.29	10.08	16.66	0.66	40.6
YFB7030B24U			12.0	0.27	6.48	4200	0.33	11.74	24.74	0.97	45.3
YFB7030B24E			12.0	0.38	9.12	4500	0.35	12.31	26.35	1.04	47.7

Notes1: The catalog have detail information in the front page for the functions.
2: If you want another rpm or voltage or functions which one in the list, please contact with our sales.



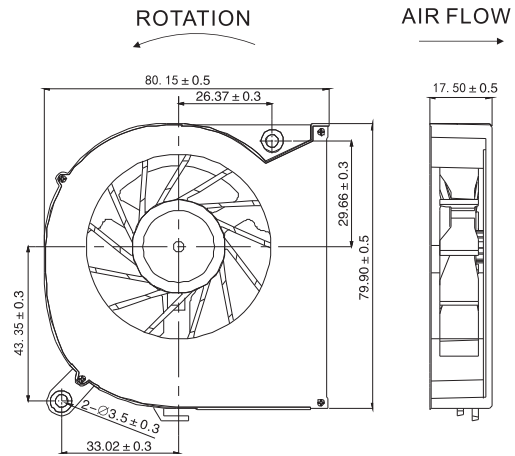
DC BLOWER FAN



80x80x17mm



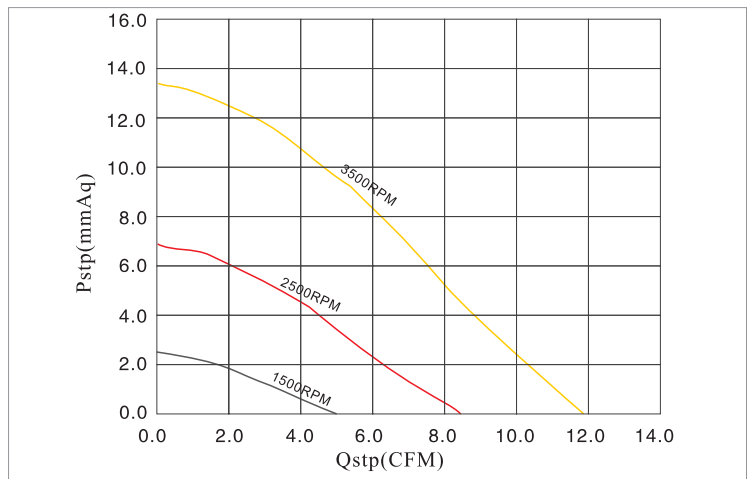
DIMENSIONS DRAWING



AVAILABLE FUNCTIONS

- Moto protection
AS
- Signal out put
FG **RD**
- Speed control mode
PWM **TC**

P&Q CURVE(AT RATEDVOLTAGE)



Model	Bearing	Rated Voltage	Startup Voltage	Current	Power	Speed	Air Flow		Static Pressure		Noise
Part NO.	System	VDC	VDC	A	W	RPM	M ³ /min	CFM	mmH ₂ O	INH ₂ O	dBA
YFB8017S12L	Sleeve	12	5.0	0.06	0.72	1500	0.14	5.07	2.48	0.09	18.0
YFB8017S12M			5.0	0.12	1.44	2500	0.23	8.15	6.88	0.27	29.0
YFB8017S12H			5.0	0.30	3.60	3500	0.33	11.82	13.48	0.54	38.9
YFB8017B12L	Ball		5.0	0.06	0.72	1500	0.14	5.07	2.48	0.09	18.0
YFB8017B12M			5.0	0.12	1.44	2500	0.23	8.15	6.88	0.27	29.0
YFB8017B12H			5.0	0.30	3.60	3500	0.33	11.82	13.48	0.54	38.9
YFB8017S24L	Sleeve	24	12.0	0.05	0.60	1500	0.14	5.07	2.48	0.09	18.0
YFB8017S24M			12.0	0.06	0.72	2500	0.23	8.15	6.88	0.27	29.0
YFB8017S24H			12.0	0.15	1.80	3500	0.33	11.82	13.48	0.54	38.9
YFB8017B24L	Ball		12.0	0.05	0.60	1500	0.14	5.07	2.48	0.09	18.0
YFB8017B24M			12.0	0.06	0.72	2500	0.23	8.15	6.88	0.27	29.0
YFB8017B24H			12.0	0.15	1.80	3500	0.33	11.82	13.48	0.54	38.9

Notes1: The catalog have detail information in the front page for the functions.
2: If you want another rpm or voltage or functions which one in the list, please contact with our sales.

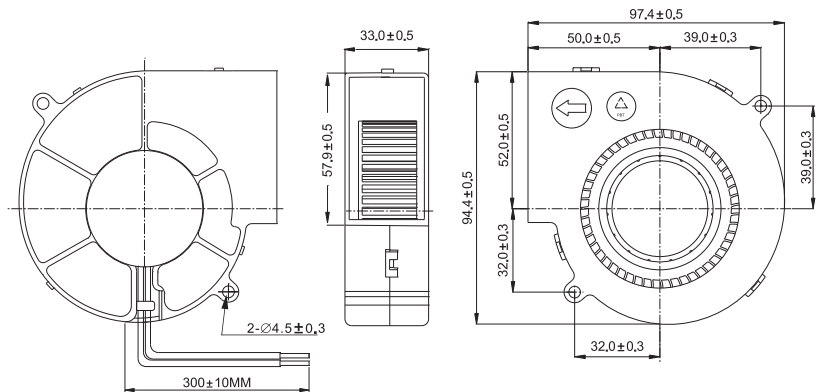


YUNFANPOWER

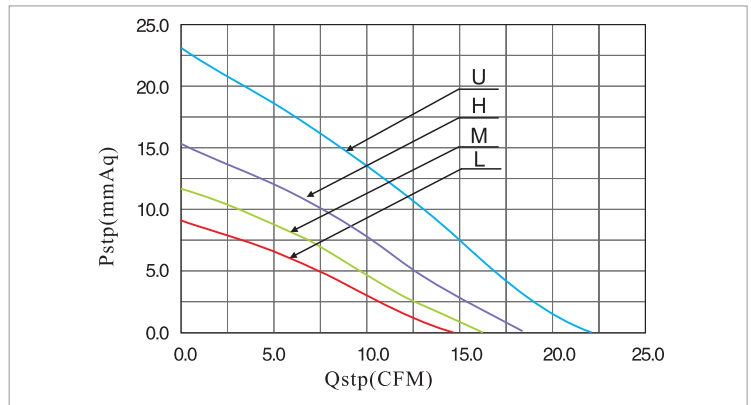
DC BLOWER FAN

97x94x33mm

DIMENSIONS DRAWING



P&Q CURVE (AT RATED VOLTAGE)



AVAILABLE FUNCTIONS

- 1. Moto protection
AS
- 2. Signal out put
FG **RD**
- 3. Speed control mode
PWM **TC**

Model	Bearing	Rated Voltage	Startup Voltage	Current	Power	Speed	Air Flow		Static Pressure		Noise
Part NO.	System	VDC	VDC	A	W	RPM	M ³ /min	CFM	mmH ₂ O	INH ₂ O	dBA
YFB9733S12L	Sleeve	12	5.0	0.60	7.20	3200	0.42	14.73	8.99	0.35	43.9
YFB9733S12M			5.0	0.90	10.80	3600	0.46	16.30	11.65	0.46	47.0
YFB9733S12H			5.0	1.10	13.20	4000	0.52	18.41	15.31	0.60	49.7
YFB9733S12U			5.0	1.35	16.20	5000	0.63	22.12	23.03	0.91	54.3
YFB9733B12L	Ball		5.0	0.60	7.20	3200	0.42	14.73	8.99	0.35	43.9
YFB9733B12M			5.0	0.90	10.80	3600	0.46	16.30	11.65	0.46	47.0
YFB9733B12H			5.0	1.10	13.20	4000	0.52	18.41	15.31	0.60	49.7
YFB9733B12U			5.0	1.35	16.20	5000	0.63	22.12	23.03	0.91	54.3
YFB9733S24L	Sleeve	24	12.0	0.30	7.20	3200	0.42	14.73	8.99	0.35	43.9
YFB9733S24M			12.0	0.45	10.80	3600	0.46	16.30	11.65	0.46	47.0
YFB9733S24H			12.0	0.60	14.40	4000	0.52	18.41	15.31	0.60	49.7
YFB9733S24U			12.0	0.85	20.40	5000	0.63	22.12	23.03	0.91	54.3
YFB9733B24L	Ball		12.0	0.30	7.20	3200	0.42	14.73	8.99	0.35	43.9
YFB9733B24M			12.0	0.45	10.80	3600	0.46	16.30	11.65	0.46	47.0
YFB9733B24H			12.0	0.60	14.40	4000	0.52	18.41	15.31	0.60	49.7
YFB9733B24U			12.0	0.85	20.40	5000	0.63	22.12	23.03	0.91	54.3

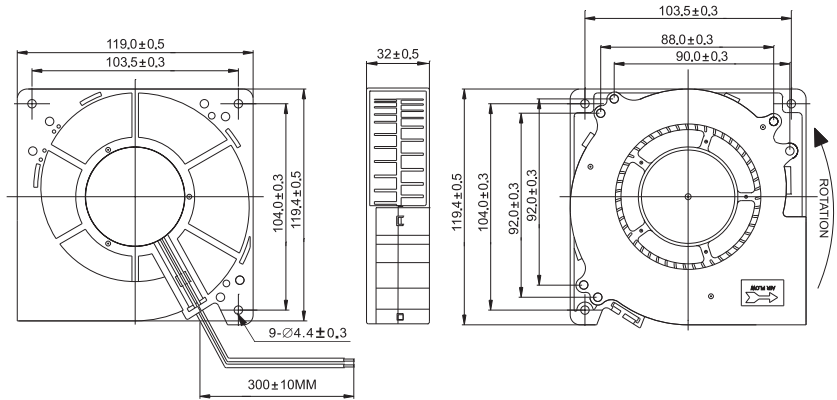
Notes1: The catalog have detail information in the front page for the functions.
2: If you want another rpm or voltage or functions which one in the list, please contact with our sales.



DC BLOWER FAN

120x120x32mm

DIMENSIONS DRAWING



AVAILABLE FUNCTIONS

1. Moto protection

AS

2. Signal out put

FG

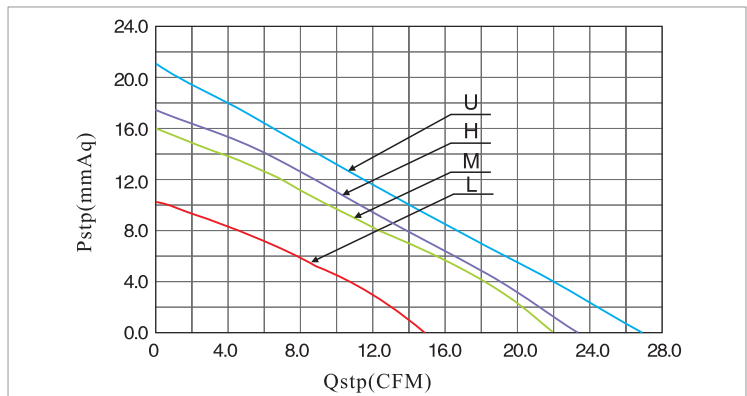
RD

3. Speed control mode

PWM

TC

P&Q CURVE(AT RATEDVOLTAGE)



Model	Bearing	Rated Voltage	Startup Voltage	Current	Power	Speed	Air Flow		Static Pressure		Noise	
Part NO.	System	VDC	VDC	A	W	RPM	M ³ /min	CFM	mmH ₂ O	INH ₂ O	dB(A)	
YFB12032S12L	Sleeve	12	5.0	0.45	5.40	2100	0.42	14.90	10.32	0.41	41.1	
YFB12032S12M			5.0	0.85	10.20	2500	0.62	22.05	15.94	0.63	45.9	
YFB12032S12H			5.0	1.10	13.20	2800	0.66	23.36	17.29	0.68	48.5	
YFB12032B12L	Ball		5.0	0.45	5.40	2100	0.42	14.90	10.32	0.41	41.1	
YFB12032B12M			5.0	0.85	10.20	2500	0.62	22.05	15.94	0.63	45.9	
YFB12032B12H			5.0	1.10	13.20	2800	0.66	23.36	17.29	0.68	48.5	
YFB12032B12U			5.0	1.40	16.80	3100	0.76	26.91	20.94	0.82	51.2	
YFB12032S24L	Sleeve		24	12.0	0.30	7.20	2100	0.42	14.90	10.32	0.41	41.1
YFB12032S24M				12.0	0.45	10.80	2500	0.62	22.05	15.94	0.63	45.9
YFB12032S24H				12.0	0.55	13.20	2800	0.66	23.36	17.29	0.68	48.5
YFB12032B24L	Ball			12.0	0.30	7.20	2100	0.42	14.90	10.32	0.41	41.1
YFB12032B24M				12.0	0.45	10.80	2500	0.62	22.05	15.94	0.63	45.9
YFB12032B24H		12.0		0.55	13.20	2800	0.66	23.36	17.29	0.68	48.5	
YFB12032B24U		12.0		0.72	17.28	3100	0.76	26.91	20.94	0.82	51.2	
YFB12032S48L	Sleeve	48		24.0	0.18	8.64	2100	0.42	14.90	10.32	0.41	41.1
YFB12032S48M				24.0	0.24	11.52	2500	0.62	22.05	15.94	0.63	45.9
YFB12032S48H				24.0	0.35	16.80	2800	0.66	23.36	17.29	0.68	48.5
YFB12032B48L	Ball			24.0	0.18	8.64	2100	0.42	14.90	10.32	0.41	41.1
YFB12032B48M				24.0	0.24	11.52	2500	0.62	22.05	15.94	0.63	45.9
YFB12032B48H			24.0	0.35	16.80	2800	0.66	23.36	17.29	0.68	48.5	

Notes1: The catalog have detail information in the front page for the functions.

2: If you want another rpm or voltage or functions which one in the list, please contact with our sales.